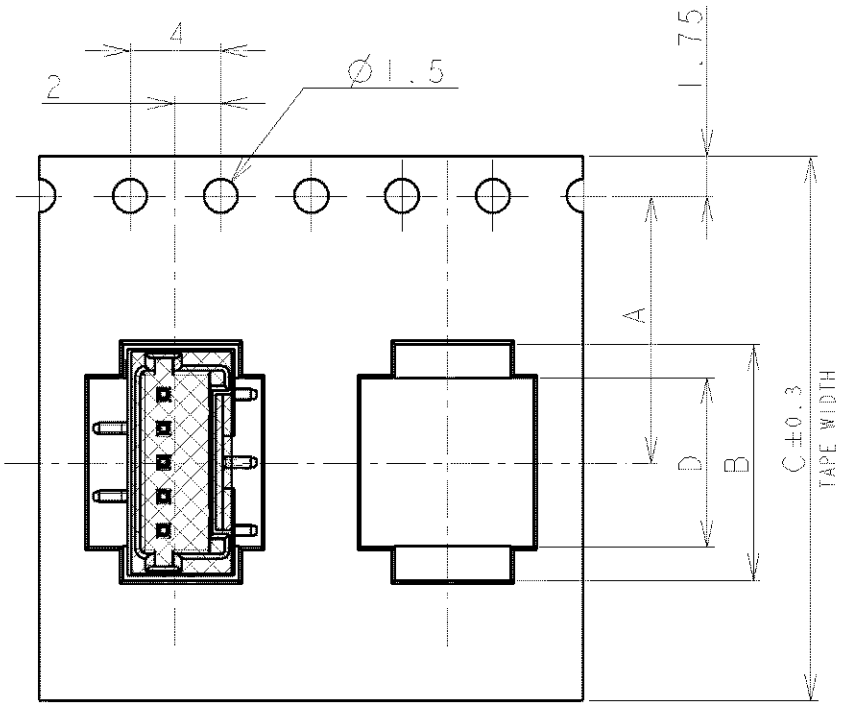


THIS DRAWING IS UNPUBLISHED.

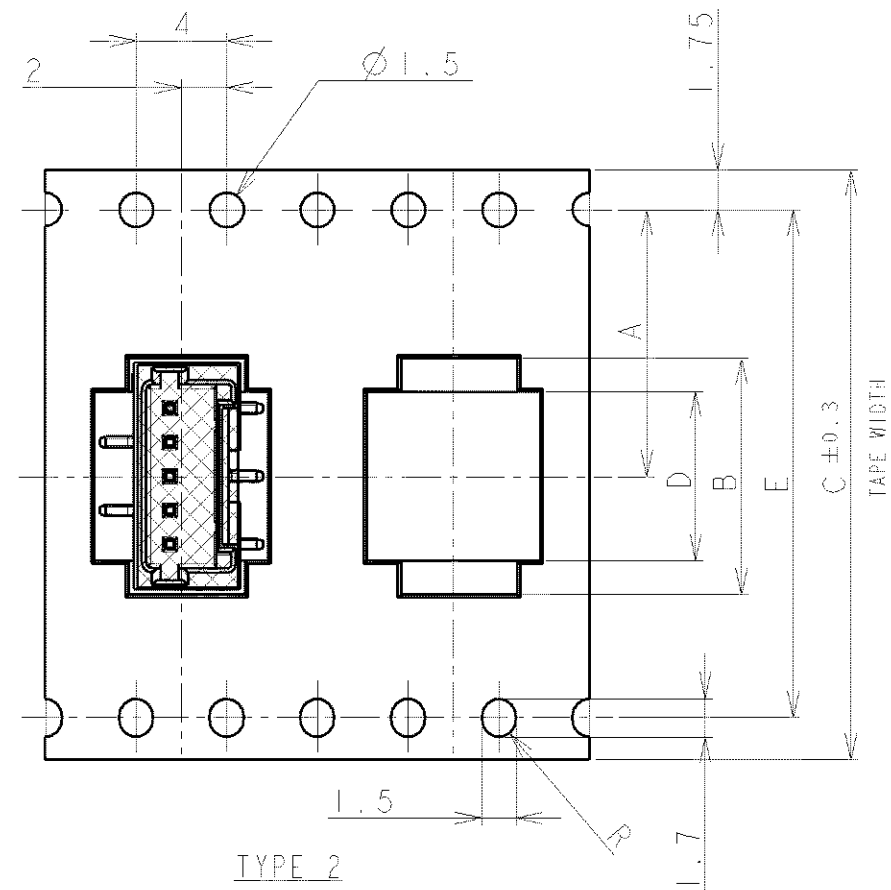
RELEASED FOR PUBLICATION

© COPYRIGHT BY ALL RIGHTS RESERVED

LOC	DIST	REVISIONS			
P	LR	DESCRIPTION	DATE	DWN	APVD
FB	00	A2	REVISED PER	ECR-16-012124	07DEC16 T.Q W.H

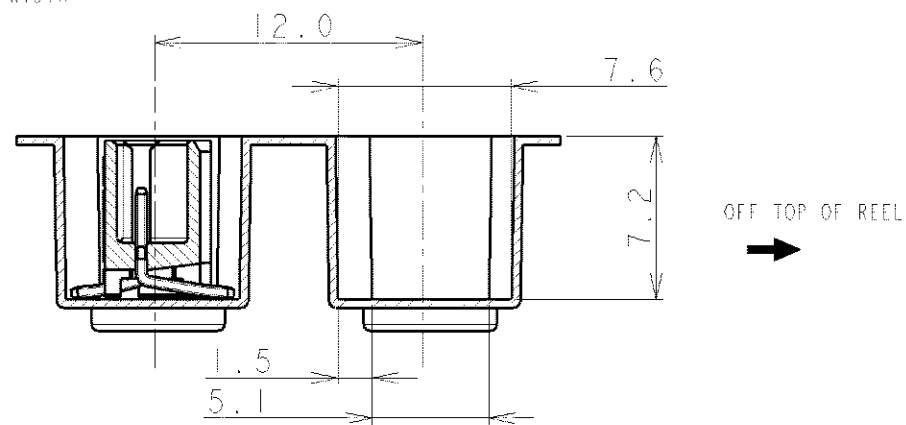
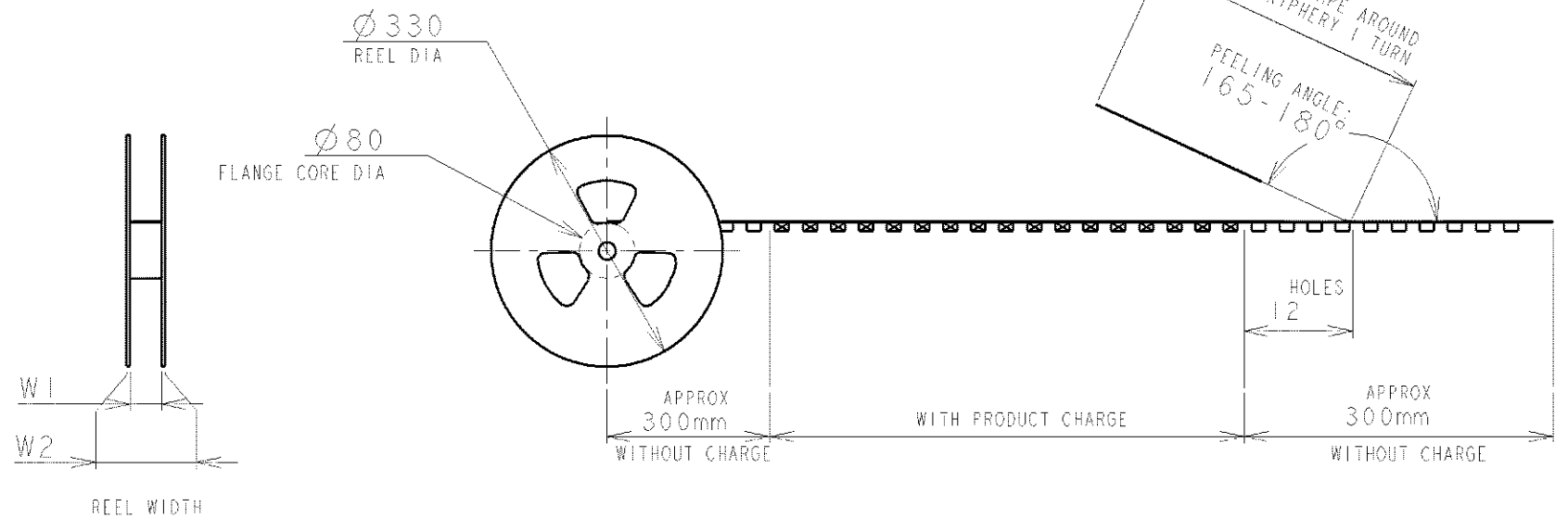
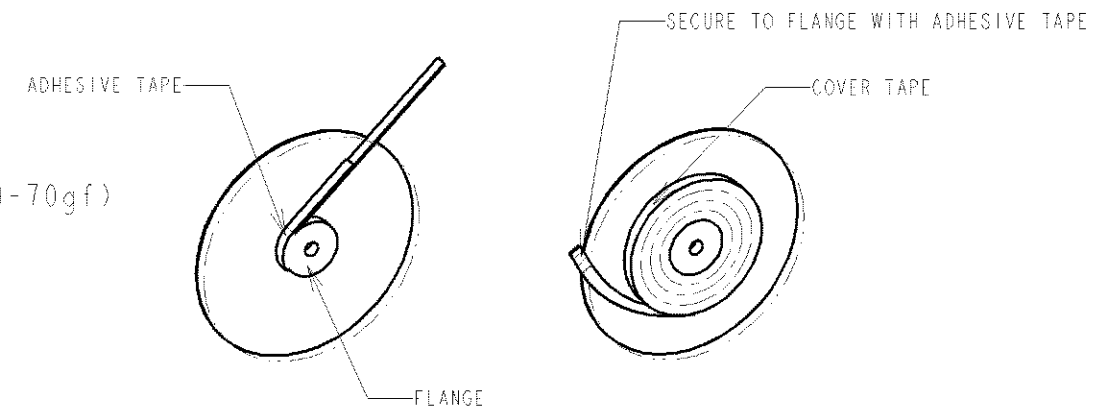


TYPE 1



TYPE 2

NOTE:
 1. PEELING STRENGTH: 0.20-0.69N (20-70gf)
 PEELING ANGLE: 165-180°
 PEELING SPEED: 300mm/MINUTE.



TOLERANCES UNLESS OTHERWISE SPECIFIED:

- 10 > : ±0.2
- 30 > * > 10 : ±0.25
- 100 > * > 30 : ±0.3
- ANGLE : ±3°

DWN S.XU 31JAN03		STE TE Connectivity	
CHK S.YAO 31JAN03			
APVD T.SASAKI 31JAN03		NAME	
PRODUCT SPEC 108-60018		AMP Mini Common Terminated (CT) Connector 1.5mm PITCH	
APPLICATION SPEC 114-5223		SINGLE ROW POST HDR ASS'Y (V) SMT TYPE	
MATERIAL - FINISH -		WITH BOSS, POLYIMIDE TAPE, EMOSS TAPE PACKAGED	
CUSTOMER DRAWING		SIZE A3	RESTRICTED TO -
SCALE NON		CAGE CODE 00779	DRAWING NO C-292232
SHEET 1 OF 4		REV A2	

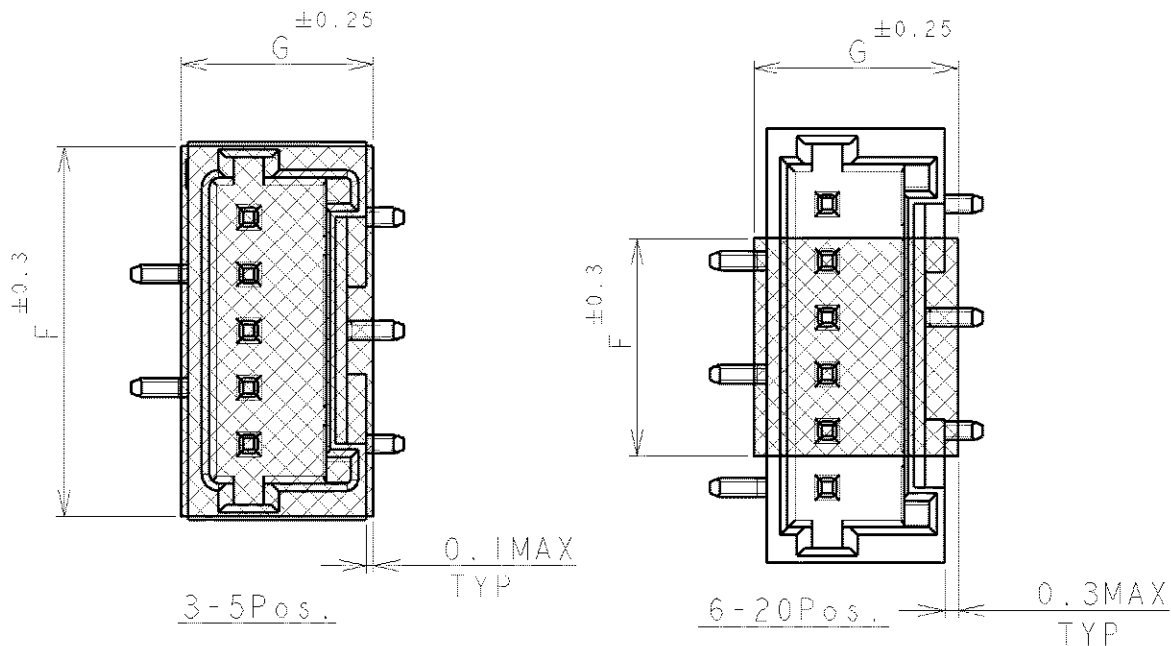
THIS DRAWING IS UNPUBLISHED.

ALL RIGHTS RESERVED.

BY

© COPYRIGHT

LOC	DIST	REVISIONS					
FB	00	P	LTR	DESCRIPTION	DATE	DWN	APVD
SEE SHEET 1							



TYPE	DIMENSIONS								A	QTY/REEL	POS	COLOR	ON TAPE P/N	
	W2	W1	G	F	E	D	C	B						
TYPE 2	49.5	45.5	5.0	9.5	40.4	29.9	44	32.9	20.2±0.15	500	20	BEIGE	2-292232-0	
	49.5	45.5	5.0	9.5	40.4	28.4	44	31.4		500	19		1-292232-9	
	49.5	45.5	5.0	9.5	40.4	26.9	44	29.9		500	18		1-292232-8	
	49.5	45.5	5.0	9.5	40.4	25.4	44	28.4		500	17		1-292232-7	
	49.5	45.5	5.0	9.5	40.4	23.9	44	26.9		500	16		1-292232-6	
	49.5	45.5	5.0	9.5	40.4	22.4	44	25.4		500	15		1-292232-5	
	49.5	45.5	5.0	9.5	40.4	20.9	44	23.9		500	14		1-292232-4	
	49.5	45.5	5.0	9.5	40.4	19.4	44	22.4		500	13		1-292232-3	
	37.5	33.5	5.0	9.5	28.4	17.9	32	20.9		14.2	500		12	1-292232-2
	37.5	33.5	5.0	9.5	28.4	16.4	32	19.4		14.2	500		11	1-292232-1
	37.5	33.5	5.0	9.5	28.4	14.9	32	17.9		14.2	500		10	1-292232-0
	37.5	33.5	5.0	6.5	28.4	13.4	32	16.4		14.2	500		9	292232-9
TYPE 1	29.5	25.5	5.0	6.5	-	11.9	24	14.9	11.5	500	8	292232-8		
	29.5	25.5	5.0	6.5	-	10.4	24	13.4	11.5	500	7	292232-7		
	29.5	25.5	5.0	6.5	-	8.9	24	11.9	11.5	500	6	292232-6		
	29.5	25.5	5.0	9.5	-	7.4	24	10.4	11.5	500	5	292232-5		
	21.5	17.5	5.0	8.0	-	5.9	16	8.9	7.5	500	4	292232-4		
	21.5	17.5	5.0	6.5	-	4.4	16	7.4	7.5	500	3	292232-3		
TAPE TYPE	W2	W1	G	F	E	D	C	B	A	QTY/REEL	POS	COLOR	ON TAPE P/N	

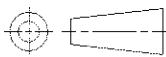
THIS DRAWING IS UNPUBLISHED.

DIMENSIONS:

mm

TOLERANCES UNLESS OTHERWISE SPECIFIED:

- 0 PLC ±
- 1 PLC ±
- 2 PLC ±
- 3 PLC ±
- 4 PLC ±
- ANGLES ±



DWN	X
CHK	
APVD	
PRODUCT SPEC	
APPLICATION SPEC	SEE SHEET 1
WEIGHT	SEE SHEET 1

MATERIAL	FINISH
----------	--------



TE Connectivity

NAME AMP Mini Common Terminated (CT) Connector 1.5mm PITCH
SINGLE ROW POST HDR ASS'Y (V) SMT TYPE
WITH POLYIMIDE TAPE, WITH BOSS, EMBOSS TAPE PACKAGED

SIZE	CAGE CODE	DRAWING NO	RESTRICTED TO
A4	00779	G-292232	

CUSTOMER DRAWING

Downloaded From Onezac.com

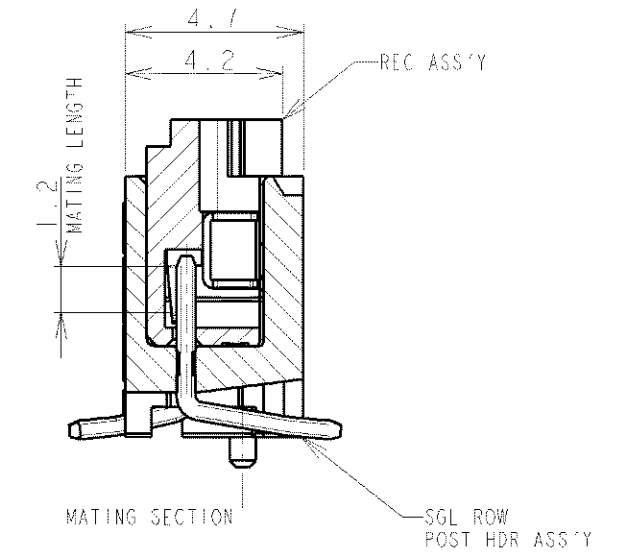
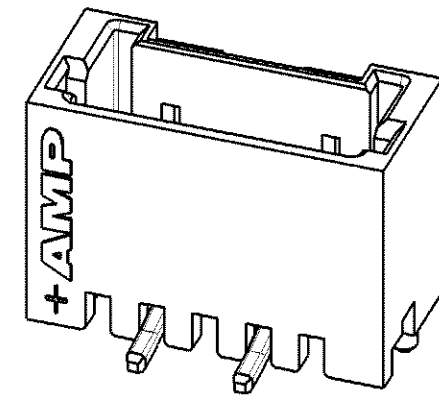
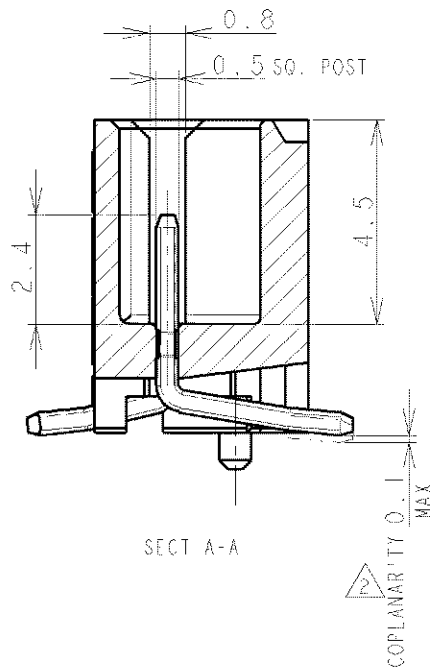
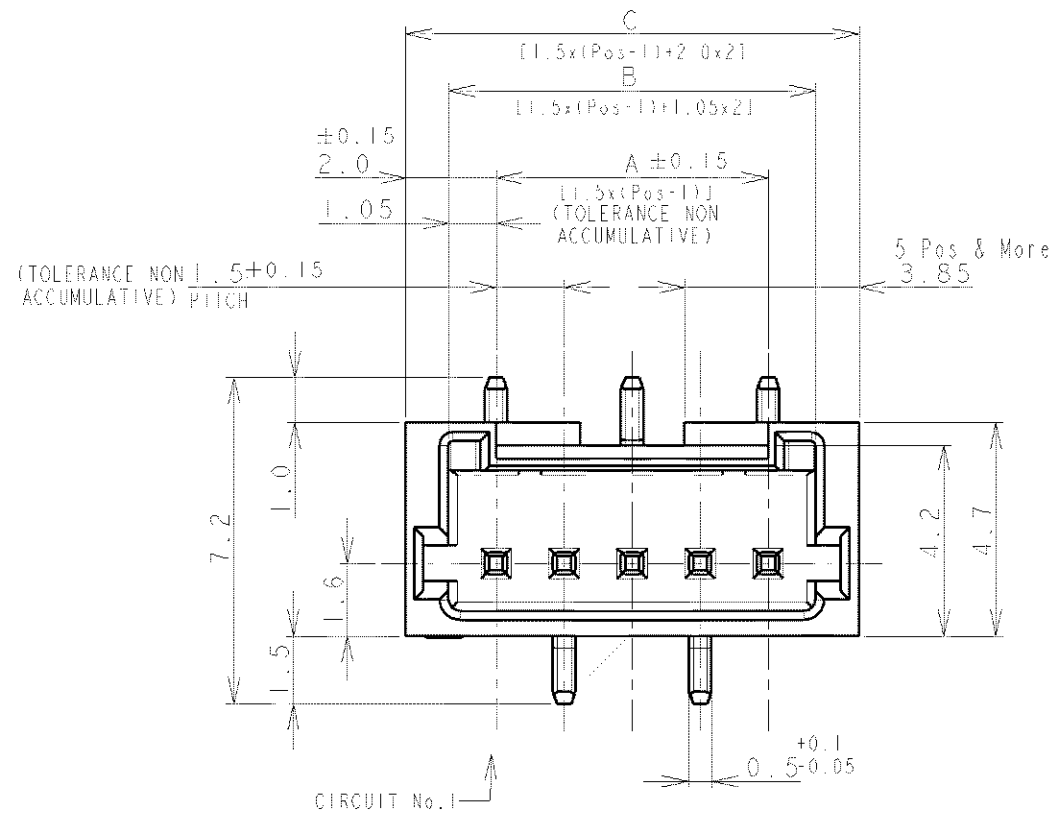
SCALE NON SHEET 2 OF 4 REV A2

THIS DRAWING IS UNPUBLISHED

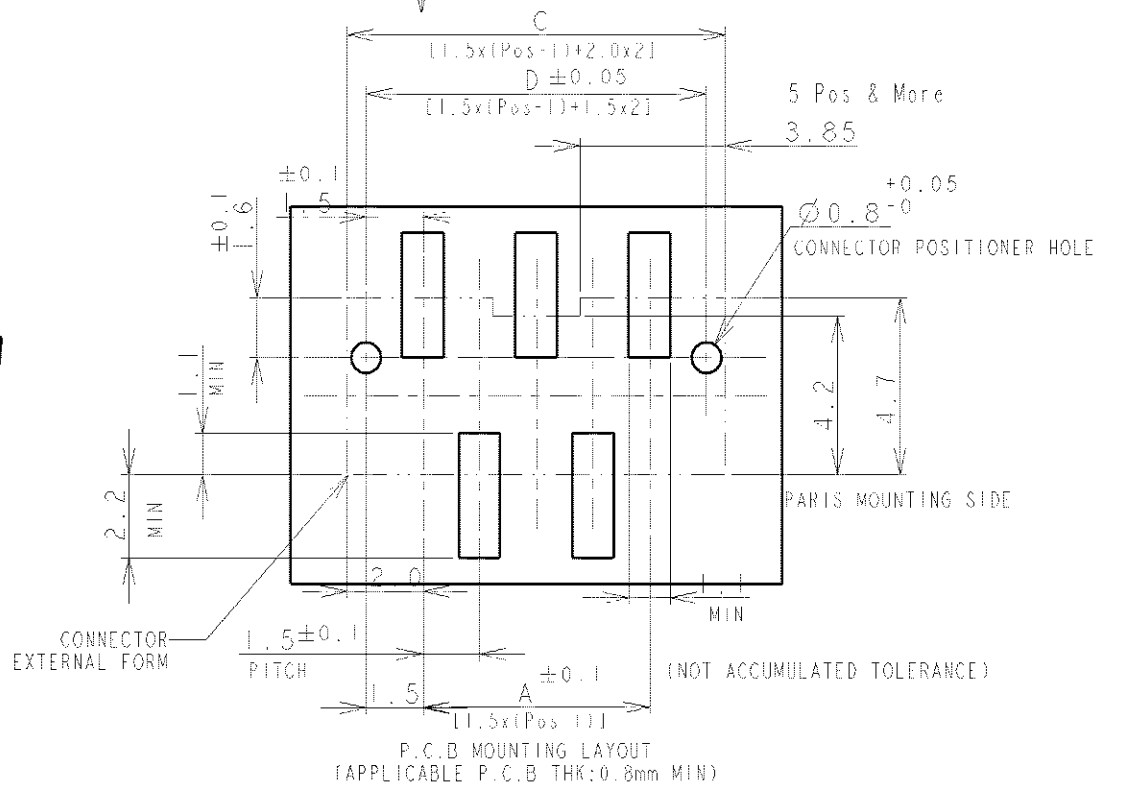
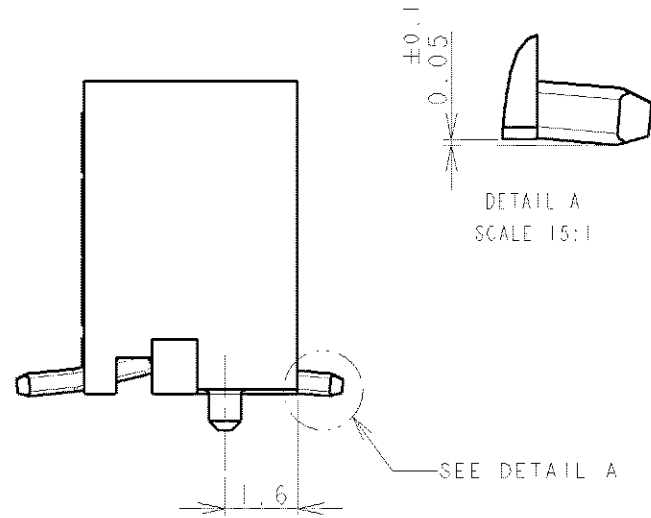
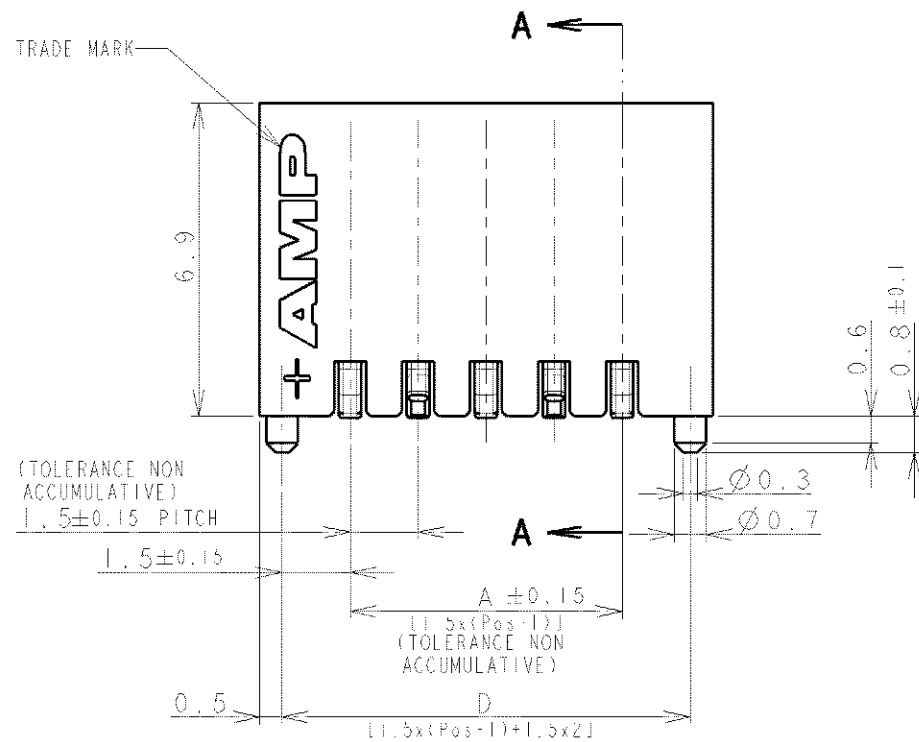
RELEASED FOR PUBLICATION

© COPYRIGHT BY ALL RIGHTS RESERVED.

LOC	DIST	REVISIONS			
P	LTR	DESCRIPTION	DATE	DWN	APVD
FB	00	SEE SHEET 1			



CIRCUIT No. 1



NOTES:
 1. MATERIAL:
 HOUSING: GLASS FILLED, HIGH HEAT RESISTANT NYLON, UL94V-0, COLOR: BEIGE OR BLACK
 POST: Sn-100% BRASS WIRE
 TO BE MEASURED WITH CONNECTOR PLACED ON HORIZONTAL DATUM SURFACE,
 FLOAT OF SOLDER TINE FROM DATUM SURFACE IS 0.1mm MAX.

DWN		STE TE Connectivity	
CHK			
APVD		NAME	
PRODUCT SPEC		AMP MINI COMMON TERMINATION (CT) CONNECTOR 1.5 mm PITCH	
APPLICATION SPEC		SINGLE ROW POST HDR ASS'Y (V) SMT TYPE WITH BOSS	
WEIGHT		SIZE	RESTRICTED TO
MATERIAL		CAGE CODE	
FINISH		DRAWING NO	
SEE NOTE 1		A3	
SEE NOTE 1		00779	
CUSTOMER DRAWING		C-292232	
SCALE		SHEET	REV
NON		3	A2

RELEASED FOR PUBLICATION


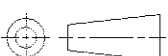
THIS DRAWING IS UNPUBLISHED.

ALL RIGHTS RESERVED.

BY -
COPYRIGHT -

LOC	DIST	REVISIONS					
FB	00	P	LTR	DESCRIPTION	DATE	DWN	APVD
				SEE SHEET 1	-	-	-

0.98	31.5	32.5	30.6	28.5	20	2-292232-0
0.93	30.0	31.0	29.1	27.0	19	1-292232-9
0.89	28.5	29.5	27.6	25.5	18	1-292232-8
0.84	27.0	28.0	26.1	24.0	17	1-292232-7
0.80	25.5	26.5	24.6	22.5	16	1-292232-6
0.75	24.0	25.0	23.1	21.0	15	1-292232-5
0.71	22.5	23.5	21.6	19.5	14	1-292232-4
0.66	21.0	22.0	20.1	18.0	13	1-292232-3
0.62	19.5	20.5	18.6	16.5	12	1-292232-2
0.57	18.0	19.0	17.1	15.0	11	1-292232-1
0.52	16.5	17.5	15.6	13.5	10	1-292232-0
0.48	15.0	16.0	14.1	12.0	9	292232-9
0.43	13.5	14.5	12.6	10.5	8	292232-8
0.39	12.0	13.0	11.1	9.0	7	292232-7
0.34	10.5	11.5	9.6	7.5	6	292232-6
0.30	9.0	10.0	8.1	6.0	5	292232-5
0.25	7.5	8.5	6.6	4.5	4	292232-4
0.20	6.0	7.0	5.1	3.0	3	292232-3
WEIGHT (g)	D	C	B	A	Pos.	BEIGE (NAT)
	DIMENSIONS					P/N

DIMENSIONS: mm	DWN	MATERIAL SEE SHEET 1	FINISH SEE SHEET 1
TOLERANCES UNLESS OTHERWISE SPECIFIED:	CHK	 TE Connectivity	
0 PLC ±	APVD		
1 PLC ±	PRODUCT SPEC	NAME AMP MINI COMMON TERMINATED (CT) CONNECTOR 1.5 mm PITCH SINGLE ROW POST HDR ASS'Y (V) SMT TYPE WITH BOSS	
2 PLC ±	APPLICATION SPEC	SIZE	CAGE CODE
3 PLC ±	WEIGHT	DRAWING NO	RESTRICTED TO
4 PLC ±		A4	00779
ANGLES ±		G=292232	
	CUSTOMER DRAWING	SCALE	SHEET 4 OF 4
	Downloaded From Oneyac.com	NON	REV A2

单击下面可查看定价，库存，交付和生命周期等信息

[>>TE Connectivity\(泰科\)](#)