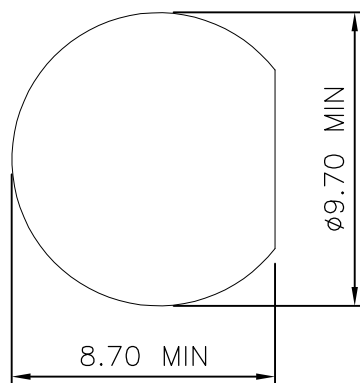
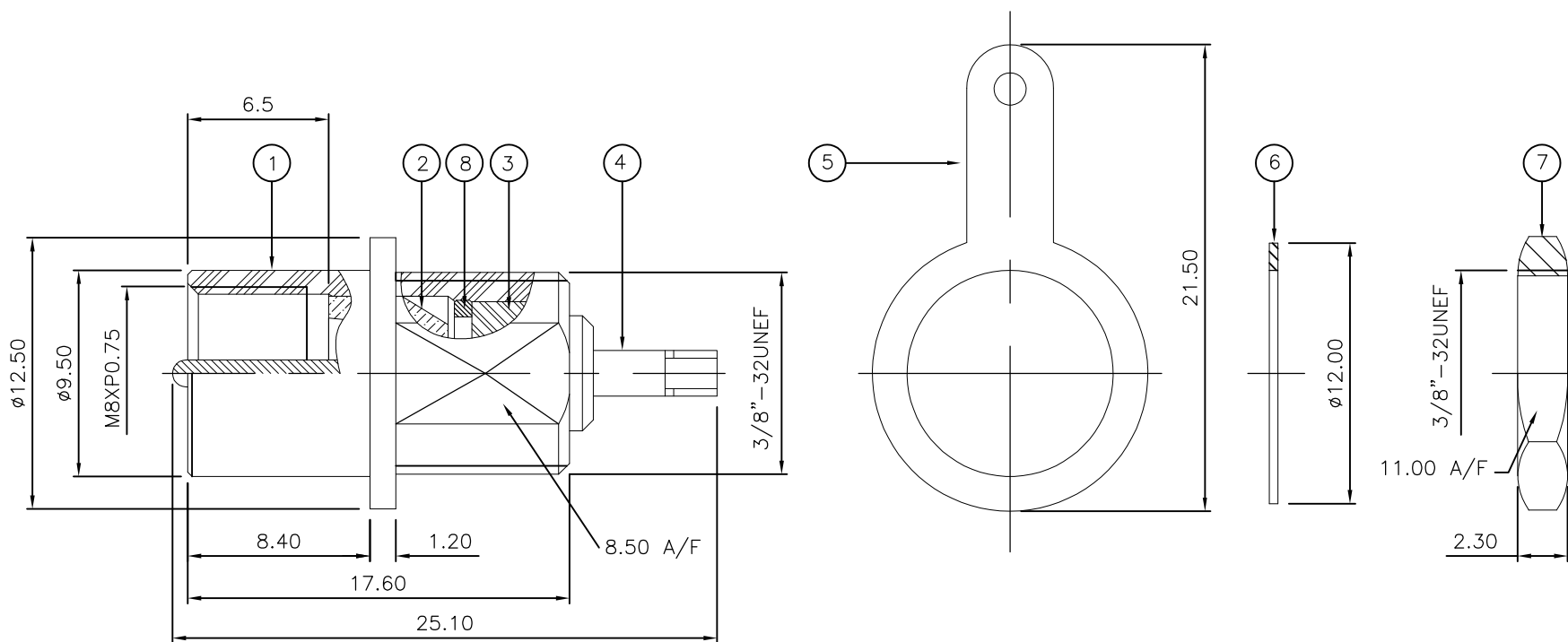


LOC E	DIST B	REVISIONS		
P	LTR	DESCRIPTION	DATE	DWN
	D	REVISED PER ECO-12-019856	12NOV12	RZ
				APVD MY

NOTES:

- 1 PACK IN ACCORDANCE WITH AMP SPEC 107-3275
- 2 100 TRAY PACK IN ACCORDANCE WITH AMP SPEC 107-3275
- 3 Au PLATING
- 4 Ni PLATING
- 5 ELECTRICAL CHARACTERISTICS  
 FREQUENCY RANGE: DC - 1.8 GHz  
 NOMINAL IMPEDANCE: 50 Ohm  
 INSULATION RESISTANCE: 5000 MOhm  
 WORKING VOLTAGE: 335 Volts RMS Max Sea Level  
 DIELECTRIC WITHSTAND VOLTAGE: 1000 Volts RMS Max  
 CONTACT RESISTANCE:  
 CENTRE CONTACT: 3 mOhm Max  
 OUTER CONTACT: 5 mOhm Max  
 VSWR @ 1.8GHz: 1.5 Max  
 INSERTION LOSS dB @ x 1.8 GHz: 0.5dB Max
- 6 MECHANICAL CHARACTERISTICS  
 DURABILITY: 500 Cycles Min
- 7 ENVIRONMENTAL CHARACTERISTICS  
 OPERATING TEMPERATURE: -40 to +60 DegC
- 8 FOR TECHNICAL DATA REFER TO YOUR LOCAL  
 TE CONNECTIVITY SALES OFFICE
- 9 ALL DIMENSIONS ARE NOMINAL FOR REFERENCE  
 ONLY UNLESS OTHERWISE STATED



RECOMMENDED MOUNTING HOLE

QTY	QTY PER ASSY	QTY PER ASSY	MATERIAL	DESCRIPTION	ITEM
1	1	1	BRASS	WASHER	8
1	1	1	BRASS	HEX. NUT	7
1	1	1	BRASS	WASHER	6
1	1	1	BRASS	SOLDER TAG	5
1	1	1	BRASS	CONTACT	4
1	1	1	POM	INSULATION	3
1	1	1	POM	INSULATION	2
1	1	1	BRASS	BODY	1
6--0	1--0		MATERIAL	DESCRIPTION	ITEM

THIS DRAWING IS A CONTROLLED DOCUMENT.		DWN J.SANDWELL 31AUG06	TE Connectivity <b>FME BULKHEAD PLUG 50 OHM</b>													
DIMENSIONS: mm		CHK S.PARLOW 31AUG06														
TOLERANCES UNLESS OTHERWISE SPECIFIED:		APVD F.WHEELER-KING 31AUG06														
<table border="1"> <tr><td>0 PLC</td><td>± -</td></tr> <tr><td>1 PLC</td><td>± -</td></tr> <tr><td>2 PLC</td><td>± -</td></tr> <tr><td>3 PLC</td><td>± -</td></tr> <tr><td>4 PLC</td><td>± -</td></tr> <tr><td>ANGLES</td><td>± -</td></tr> <tr><td>FINISH</td><td>± -</td></tr> </table>		0 PLC				± -	1 PLC	± -	2 PLC	± -	3 PLC	± -	4 PLC	± -	ANGLES	± -
0 PLC	± -															
1 PLC	± -															
2 PLC	± -															
3 PLC	± -															
4 PLC	± -															
ANGLES	± -															
FINISH	± -															
MATERIAL SEE TABLE	FINISH -	PRODUCT SPEC -	APPLICATION SPEC -	SIZE A3	CAGE CODE 00779	DRAWING NO C-1337554	RESTRICTED TO -									
CUSTOMER DRAWING			WEIGHT -	SCALE NTS	SHEET 1 OF 1	REV D										

单击下面可查看定价，库存，交付和生命周期等信息

[>>TE Connectivity\(泰科\)](#)