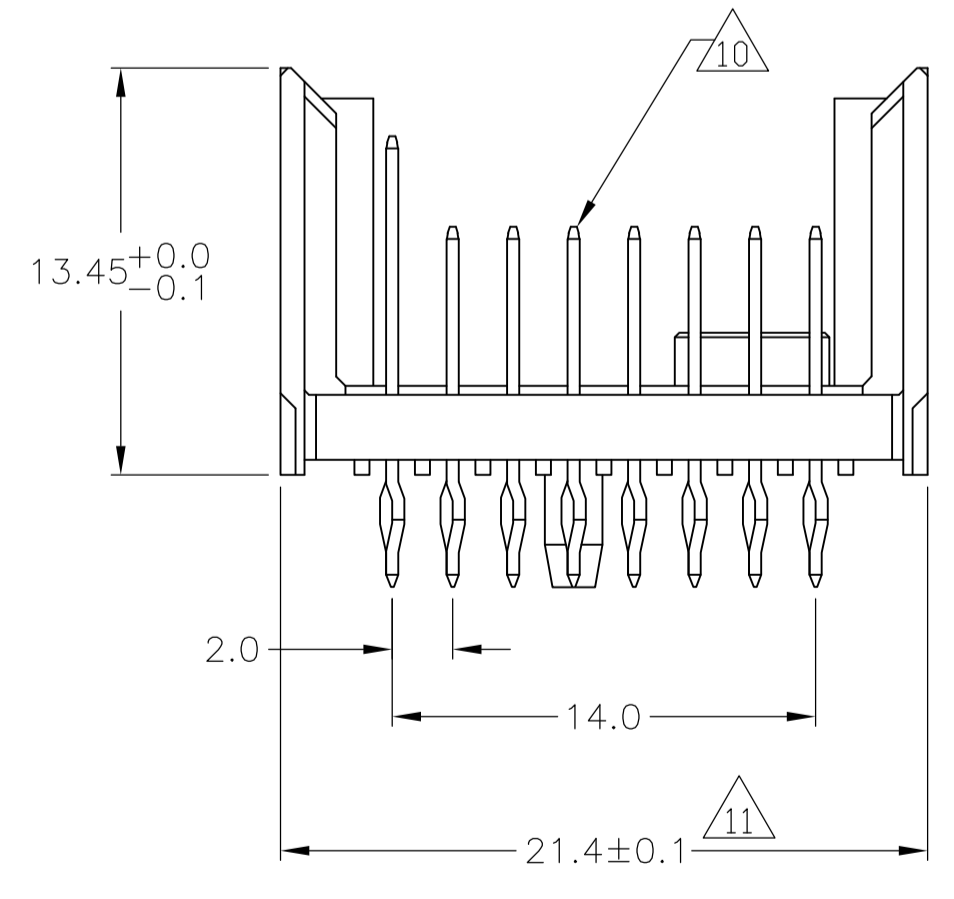
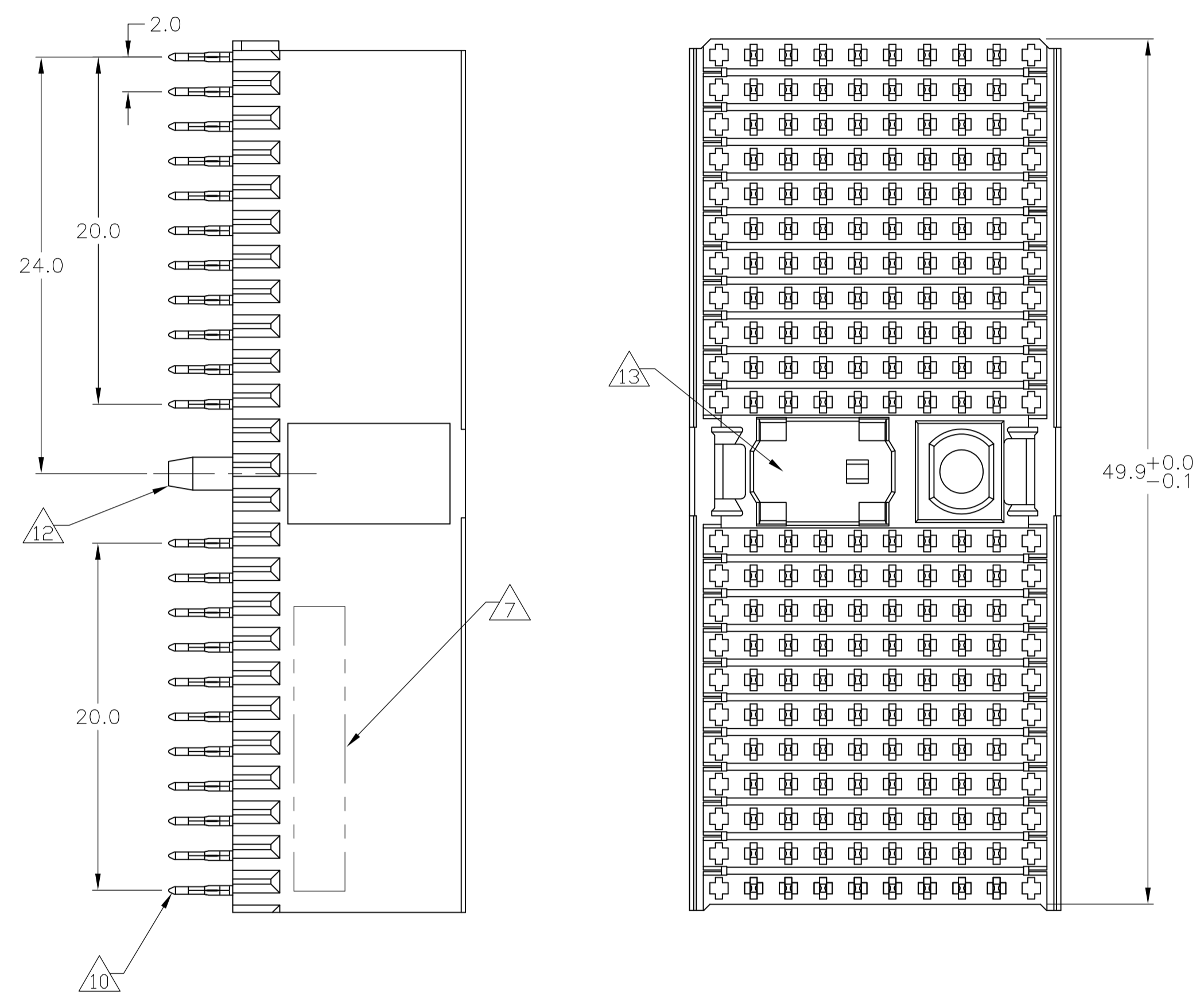


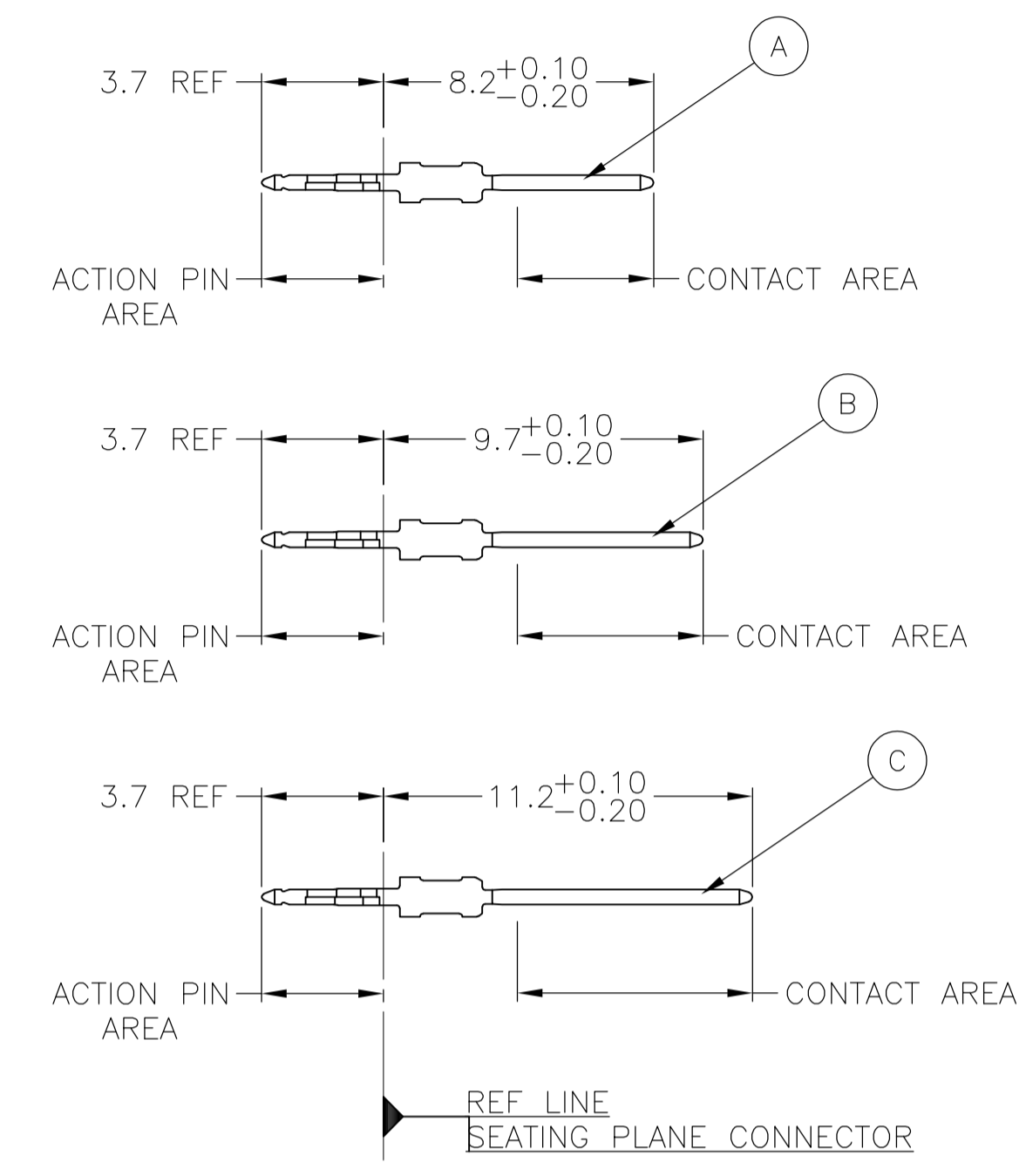
LOC		DIST		REVISIONS			
AD	00	P	LTR	DESCRIPTION	DATE	DMN	APVD
		A		REVISED PER ECN 0512-0303-05	17APR06	JDP	GES
		B		ECR-10-018652	10SEP10	JS	MQW

CONNECTOR ASSEMBLY EXAMPLARY LOADED



CONTACT DIMENSIONS

SCALE 5:1



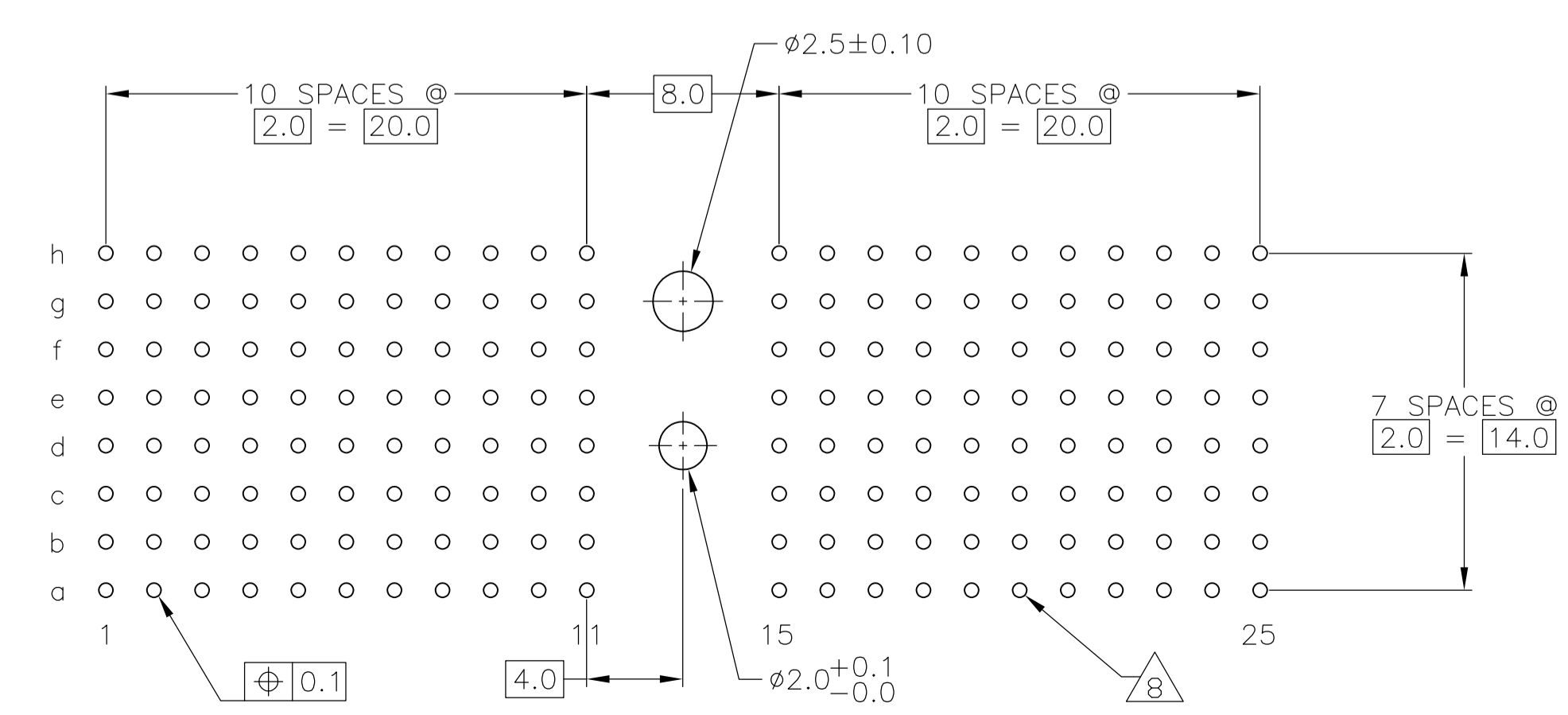
CONTACT LAYOUT

	z	C	b	c	d	e	f	g	h	i
1		B	A	A	A	A	A	A		
2		B	A	A	A	A	A	A		
3		A	A	A	A	A	A	A		
4		A	A	A	A	A	A	A		
5		C	A	A	A	A	A	A		
6		C	A	A	A	A	A	A		
7		C	A	A	A	A	A	A		
8		C	A	A	A	A	A	A		
9		C	A	A	A	A	A	A		
10		C	A	A	A	A	A	A		
11		C	A	A	A	A	A	A		
MULTI PURPOSE CENTER										
15		C	A	A	A	A	A	A		
16		C	A	A	A	A	A	A		
17		C	A	A	A	A	A	A		
18		C	A	A	A	A	A	A		
19		C	A	A	A	A	A	A		
20		C	A	A	A	A	A	A		
21		C	A	A	A	A	A	A		
22		C	A	A	A	A	A	A		
23		C	A	A	A	A	A	A		
24		C	A	A	A	A	A	A		
25		C	A	A	A	A	A	A		

RECOMMENDED PCB-HOLE LAYOUT COMPONENT SIDE SHOWN

PLATED THRU HOLES PARAMETERS

REFERENCE APPLICATION SPECIFICATION



2	6	14	1-5646711-9
2	5	14	5646711-9
2	4		5646711-4
2	3		5646711-1
FINISH			PART NUMBER

THIS DRAWING IS A CONTROLLED DOCUMENT.

DIMENSIONS: mm	TOLERANCES UNLESS OTHERWISE SPECIFIED:	DIN S. WAITMAN 15JUL05	Tyco Electronics Corporation Harrisburg, Pa 17105-3608
0-PLC ±	1-PLC ±0.1	CHK G. SKIPPER 15JUL05	MALE ASSEMBLY, Z-PACK 2mm HM, TYPE D
2-PLC ±	3-PLC ±0.2	APVD G. SKIPPER 15JUL05	108-1622
4-PLC ±	ANGLES ±	APPLICATION SPEC	114-19029
MATERIAL 1	FINISH SEE TABLE	WEIGHT	SIZE CAGE CODE DRAWING NO. RESTRICTED TO
			A1 00779 C=5646711
			CUSTOMER DRAWING SCALE 4:1 SHEET 1 OF 2 REV B

THIS DRAWING IS UNPUBLISHED. RELEASED FOR PUBLICATION
 © COPYRIGHT BY TYCO ELECTRONICS CORPORATION. ALL RIGHTS RESERVED.

LOC		DIST		REVISIONS				
P	LTR	DESCRIPTION	DATE	DN	APVD			
AD	00	SEE SHEET 1	-	-	-			

- 1 MATERIAL:
CONTACT: PHOSPHOR BRONZE.
HOUSING: GLASS-FILLED POLYESTER.
- 2 GENERAL PLATING SPECIFICATION: UNDERPLATING
(ENTIRE CONTACT): 1.27µm MIN NICKEL AND ACTION
PIN: 0.5µm MIN TIN.
FOR PLATING OF MATING SURFACES SEE APPLICABLE
SPECIFICATION REFERENCE FOR EACH DASH NUMBER.
- 3 CONFORMS TO ALL TESTING ACCORDING TO IEC 61076-4-101
PERFORMANCE LEVEL 2.
- 4 CONFORMS TO ALL TESTING ACCORDING TO IEC 61076-4-101
PERFORMANCE LEVEL 1.
- 5 CONNECTOR TESTED AND QUALIFIED AGAINST TELCORDIA GR-1217-CORE QUALITY LEVEL 3,
CENTRAL OFFICE APPLICATIONS.
- 6 CONNECTOR TESTED AND QUALIFIED AGAINST TELCORDIA GR-1217-CORE QUALITY LEVEL 3,
UNCONTROLLED ENVIROMENT APPLICATIONS.
- 7 CONNECTOR MARKED WITH PART NUMBER AND DATE CODE.
ADDITIONAL CHARACTERS OR MARKINGS, AS WELL AS THE LOCATION OF THE MARKINGS,
MAY BE ADDED FOR TRACEABILITY BASED UPON MANUFACTURERS DISCRETION.
- 8 PLATED-THROUGH HOLES AT 2x2mm SQUARE GRID
PATTERN DEFINED BY CONTACT LAYOUT.
- 9 FOR ACTUAL PIN LOADING SEE "CONTACT LAYOUT".
- 10 FOR ACTUAL PIN DIMENSIONS SEE "CONTACT DIMENSIONS".
- 11 TO BE MEASURED AT BOTTOM OF SHROUD.
- 12 POLARIZATION FEATURE.
- 13 AREA RESERVED FOR KEYING PART (BASIC P/N 100525).
- 14 CONNECTOR LUBRICATED WITH BELCORE APPROVED LUBRICANT,
TECHNICAL REFERENCE: TR-NWT-001217 ISSUE 1, SEP 1992.

THIS DRAWING IS A CONTROLLED DOCUMENT.		DIN S. WAITMAN 15JUL05		Tyco Electronics Corporation Harrisburg, Pa 17105-3608	
DIMENSIONS: mm		GSKIPPER 15JUL05		Tyco Electronics	
TOLERANCES UNLESS OTHERWISE SPECIFIED:		APVD GSKIPPER 15JUL05		NAME	
0-PLG ±		PRODUCT SPEC		MALE ASSEMBLY, Z-PACK 2mm HM, TYPE D	
1-PLG ± 0.1		108-1622		SIZE	
2-PLG ±		APPLICATION SPEC		CAGE CODE	
3-PLG ±		114-19029		DRAWING NO	
4-PLG ±		WEIGHT		RESTRICTED TO	
ANGLES ± 1°		CUSTOMER DRAWING		A1 00779 C=5646711	
MATERIAL SEE SHEET 1		FINISH SEE SHEET 1		SCALE 4:1	
				SHEET 2 OF 2	
				REV B	

单击下面可查看定价，库存，交付和生命周期等信息

[>>TE Connectivity\(泰科\)](#)