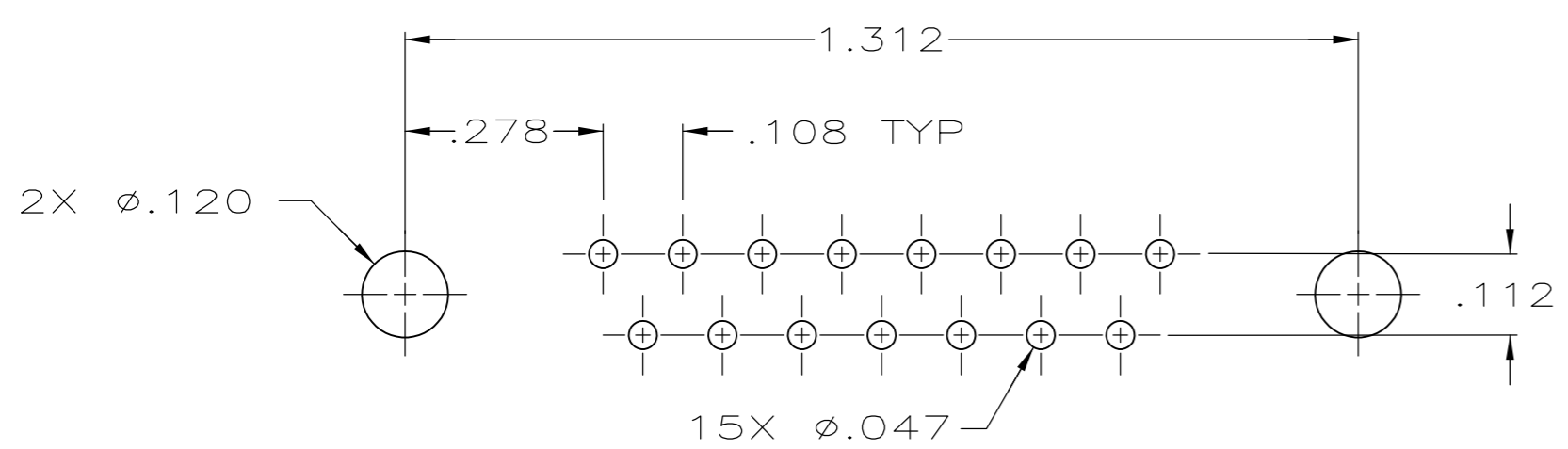
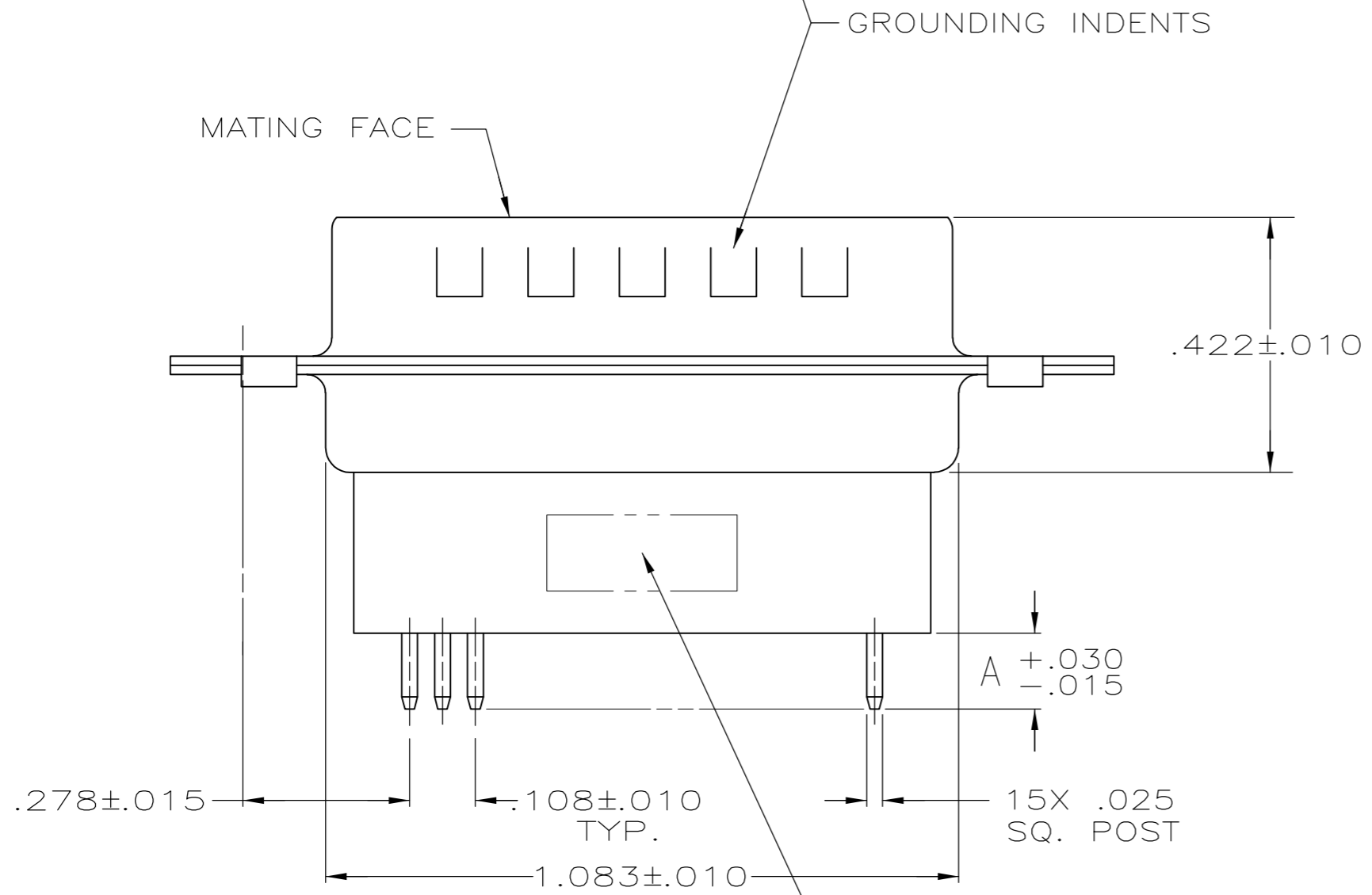
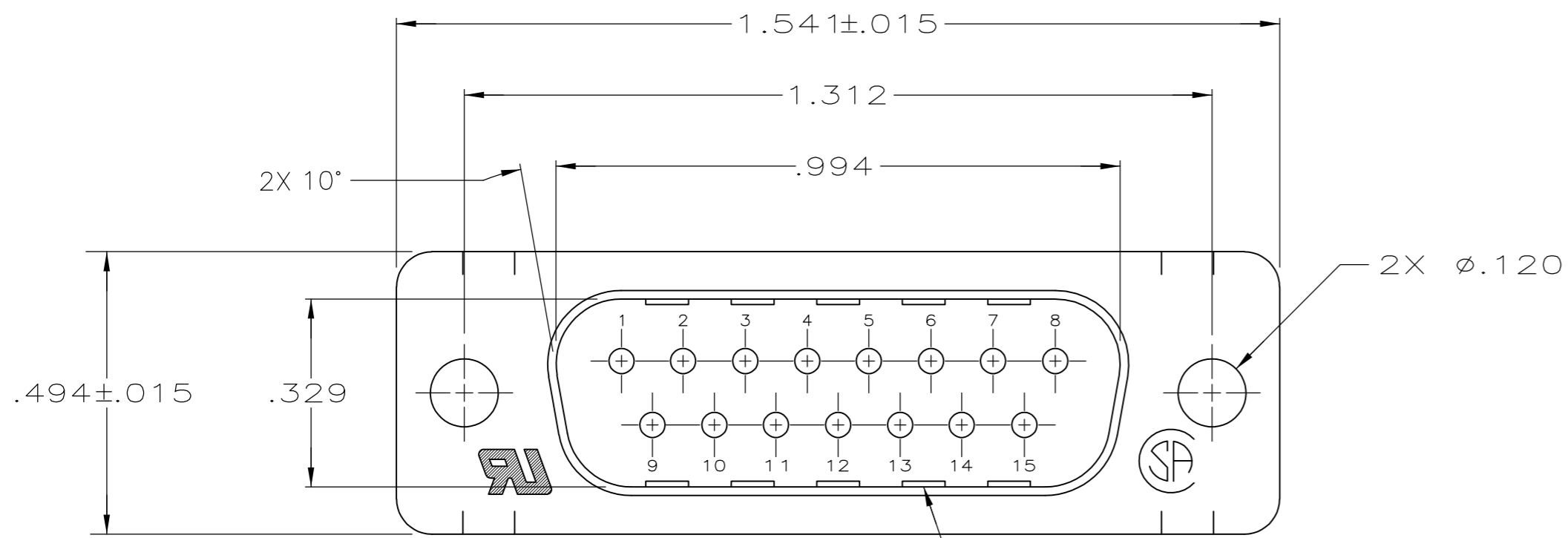


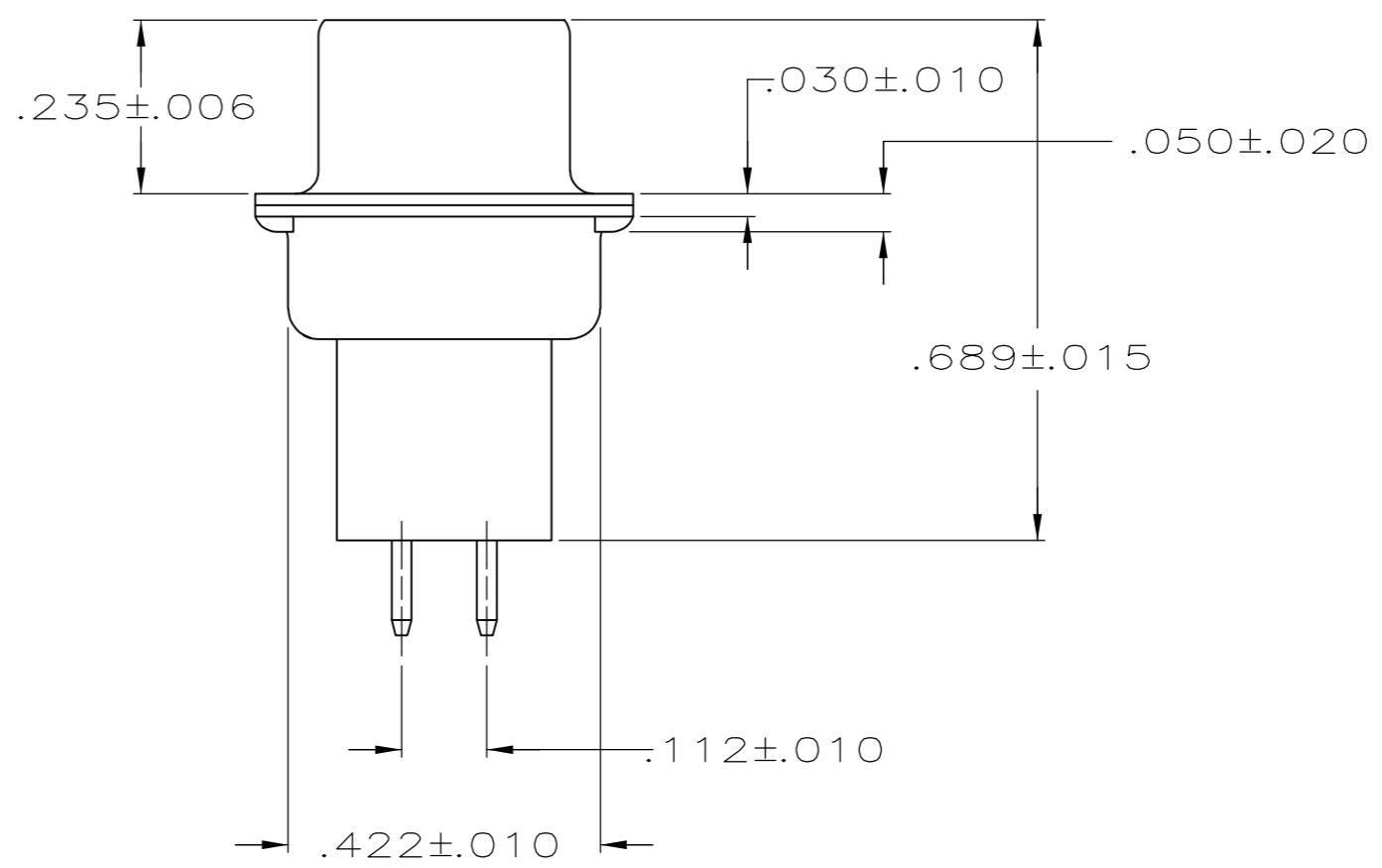
THIS DRAWING IS UNPUBLISHED. RELEASED FOR PUBLICATION
 © COPYRIGHT - By - ALL RIGHTS RESERVED.

LOC		DIST		REVISIONS			
P	LTR	DESCRIPTION	DATE	DWN	APVD		
GP	00						
	K	REVISED PER ECO-14-011808	12AUG2014	AP	SB		



P.C. BOARD MOUNTING DIMENSIONS

1. NOTE DELETED.
2. MOLDED PARTS: GLASS-FILLED PBT OR GLASS-FILLED NYLON, UL94V-0 RATED. COLOR: BLACK.
CONTACT: BRASS
SHELLS: STEEL
3. GOLD FLASH FOR A LENGTH OF .150 MIN FROM MATING END .000100 MIN TIN-LEAD ON OPPOSITE END, ALL OVER .000050 MIN NICKEL.
4. GOLD PLATED FOR A LENGTH OF .150 FROM MATING END, .000030 MIN GOLD IN MATED AREA, .000100 MIN TIN-LEAD ON OPPOSITE END, ALL OVER .000050 MIN NICKEL.
-OR-
GOLD FLASH OVER PALLADIUM-NICKEL PLATED FOR LENGTH OF .150 MIN FROM MATING END, .000030 MIN TOTAL IN MATED AREA, .000100 MIN TIN-LEAD ON OPPOSITE END, ALL OVER .000050 MIN NICKEL.
5. .000200 MIN TIN OVER .000100 MIN COPPER.



SUPSD BY	REVISION	DIMENSION A	PART NUMBER
745411-1	3	.188	745411-8
745411-1	4	.188	745411-7
	3	.651	745411-6
	4	.651	745411-5
	3	.427	745411-4
	4	.427	745411-3
745411-1	3	.125	745411-2
	4	.125	745411-1

THIS DRAWING IS A CONTROLLED DOCUMENT.		DWN	J. GERACE	10-25-83		TE Connectivity		
DIMENSIONS: INCHES		CHK	J. GERACE	10-25-83		PLUG ASSEMBLY, SIZE 2, 15 POS, VERTICAL, W/ GROUNDING INDENTS, AMPLIMITE		
TOLERANCES UNLESS OTHERWISE SPECIFIED:		APVD	B. TAYLOR	1-4-84		SIZE	CAGE CODE	DRAWING NO
0 PLC ± - 1 PLC ± - 2 PLC ± .005 3 PLC ± - 4 PLC ± - ANGLES ± 2°		PRODUCT SPEC	108-40025			RESTRICTED TO	-	
MATERIAL		APPLICATION SPEC	114-40013		SCALE	NTS		
FINISH		WEIGHT	-		SHEET	1 of 1		
SHELLS: 5		CUSTOMER DRAWING			REV	K		
CONTACTS: SEE TABLE								

单击下面可查看定价，库存，交付和生命周期等信息

[>>TE Connectivity\(泰科\)](#)