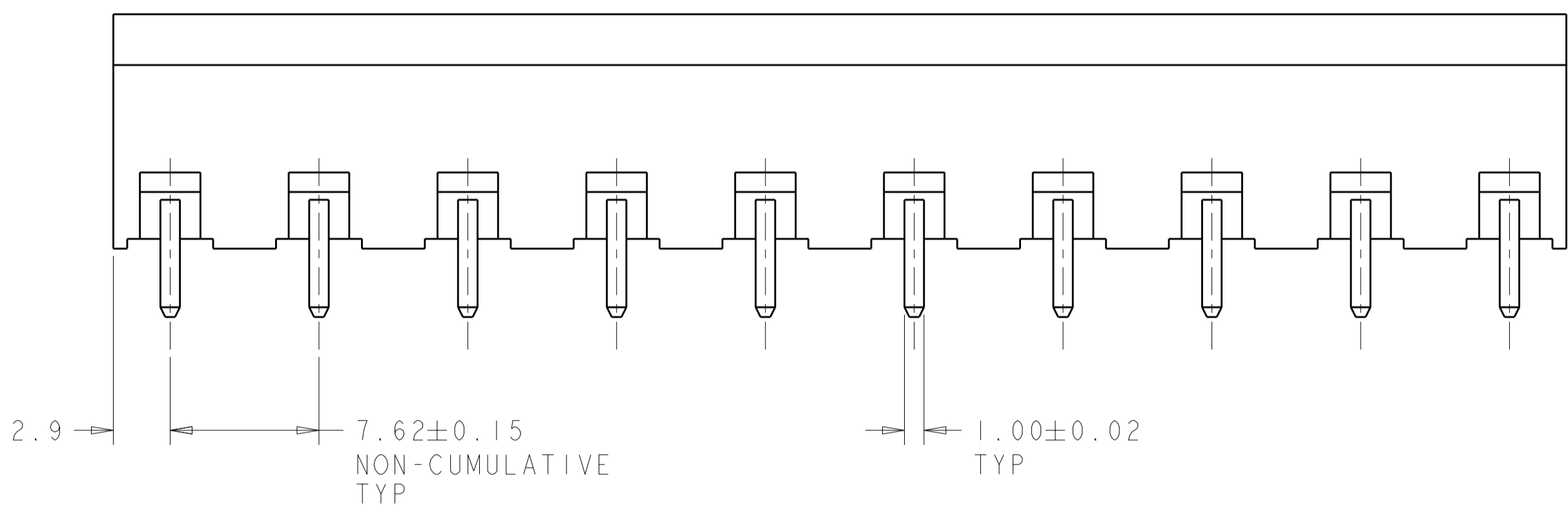
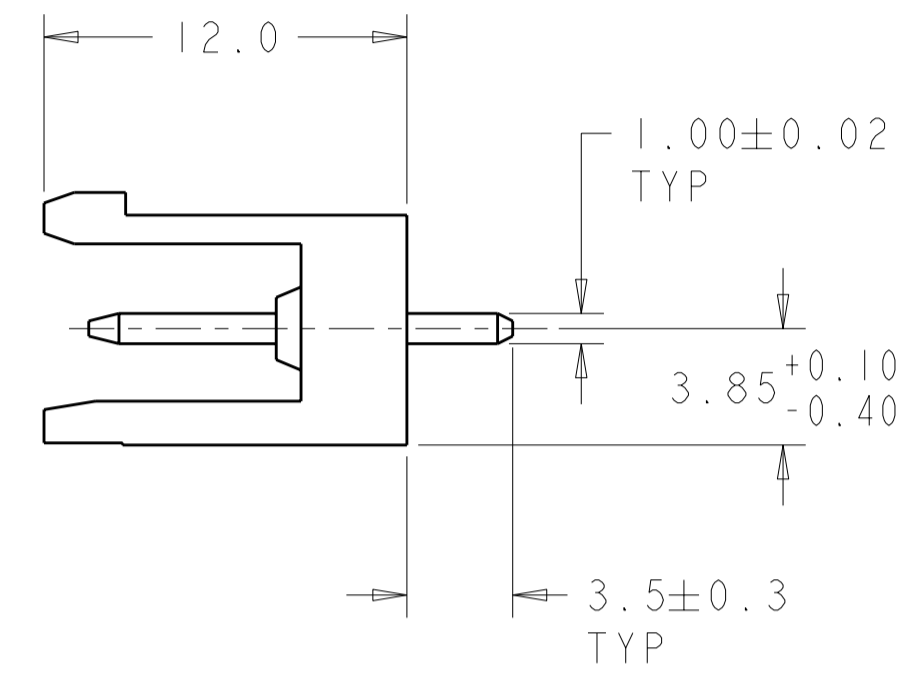
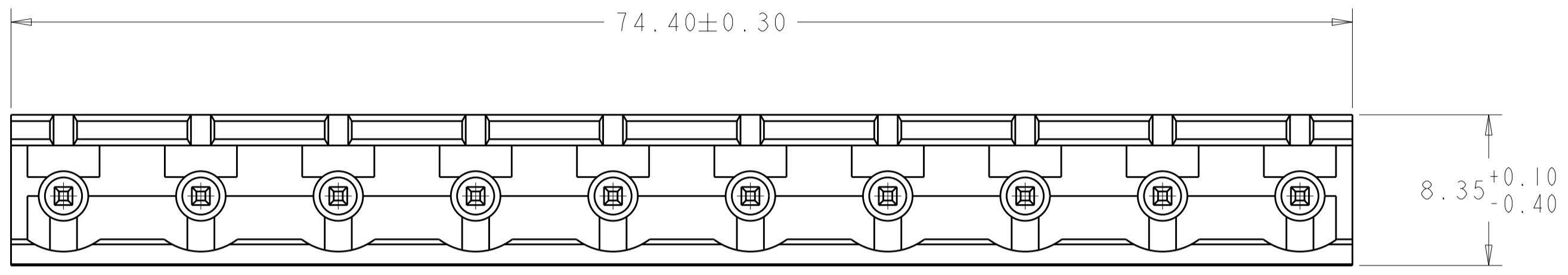
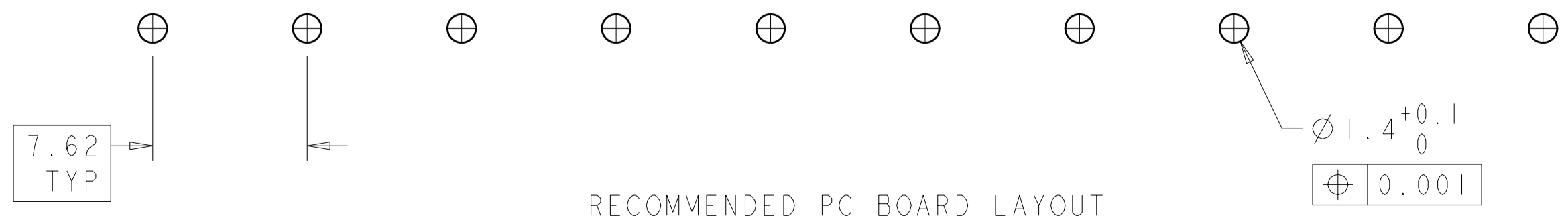


THIS DRAWING IS UNPUBLISHED. RELEASED FOR PUBLICATION 20
 © COPYRIGHT 20 BY TYCO ELECTRONICS CORPORATION. ALL RIGHTS RESERVED.

LOC		DIST		REVISIONS			
P	LTR	DESCRIPTION	DATE	DWN	APVD		
	O	PRELIMINARY EC 063B-0429-04	06JUL2004	SW	CR		
	A	RELEASED ECO-06-004058	21FEB2006	SW	CR		
	AI	REVISED ECO-06-013885	13JUN2006	SW	CR		



- △ MATERIALS AND FINISH
 HOUSING: PA 4-6, 30% GLASS FILLED, UL 94-V0, COLOR: BLACK.
 TERMINAL: PHOSPHOR BRONZE, TIN PLATED.
- SUITABLE FOR 1,6-2,4mm PC BOARD THICKNESS.
 - END-TO-END STACKABLE WITHOUT LOSS OF CENTERLINE SPACING.
 - RECOGNIZED UNDER THE COMPONENT PROGRAM OF UNDERWRITERS LABORATORIES INC. FILE N° E60677.
 - IMQ CERTIFICATE WITH SURVEILLANCE IN CONFORMITY WITH IEC 998-1/998-2-1.
 - LOGOS TO BE LOCATED ON PART WHERE SPACE PERMITS.



RECOMMENDED PC BOARD LAYOUT

10	1-1776085-0
NO OF POSN	PART NUMBER

THIS DRAWING IS A CONTROLLED DOCUMENT FOR TYCO ELECTRONICS CORPORATION. IT IS SUBJECT TO CHANGE AND THE CONTROLLING ENGINEERING ORGANIZATION SHOULD BE CONTACTED FOR THE LATEST REVISION.		DWN	S. WELDON	06JUL2004	BUCHANAN Tyco Electronics Harrisburg, PA 17105-3608
DIMENSIONS:		CHK	C. RICHARD	06JUL2004	
TOLERANCES UNLESS OTHERWISE SPECIFIED:		APVD	C. RICHARD	06JUL2004	
mm		PRODUCT SPEC	108-20166		
0 PLC ±		APPLICATION SPEC	114-20079		
1 PLC ±.2		WEIGHT	-		
2 PLC ±.25		SCALE	3:1		
3 PLC ±		SHEET	1 OF 1		
4 PLC ±		REV	AI		
ANGLES ±2		CUSTOMER DRAWING			
FINISH					

单击下面可查看定价，库存，交付和生命周期等信息

[>>TE Connectivity\(泰科\)](#)