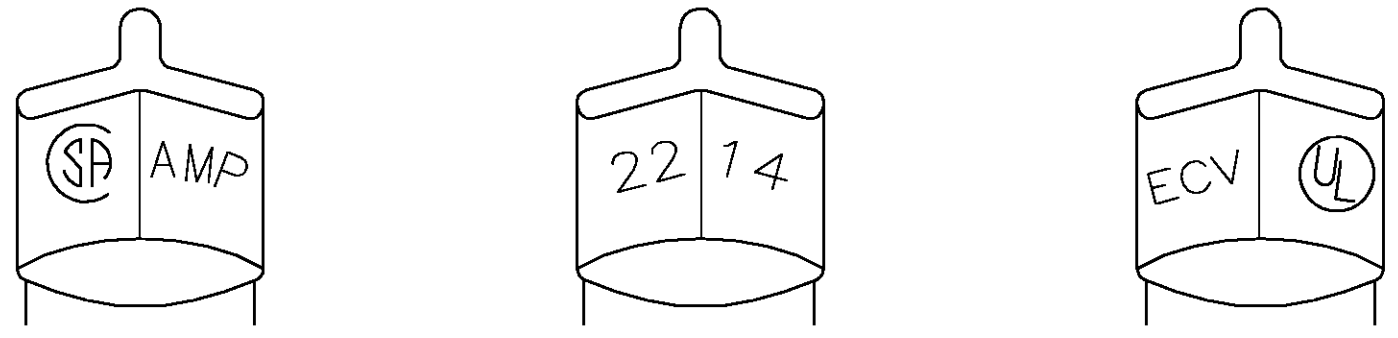


THIS DRAWING IS UNPUBLISHED. RELEASED FOR PUBLICATION
 © COPYRIGHT BY TYCO ELECTRONICS CORPORATION. ALL RIGHTS RESERVED.

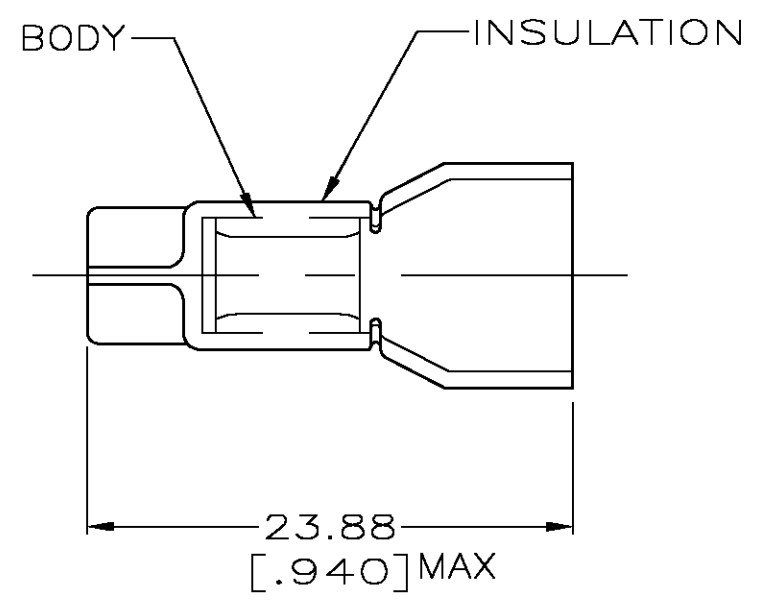
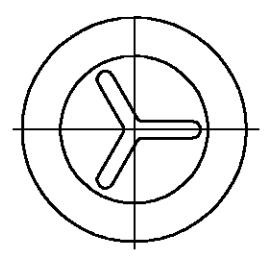
LOC	DIST	REVISIONS					
G	14	P	LTR	DESCRIPTION	DATE	DWN	APVD
		D		REV PER 0G3A-0256-04	08APR04	JR	TM

AMP WIRE RANGE	Listed FILE E13288	LR7189 Certified
22-14 AWG SOLID OR STRANDED	22-14 AWG SOLID OR STRANDED	22-14 AWG SOLID OR STRANDED



STAMPING DETAIL

- 1 FOR 5.97 [.235] MAX WIRE INSULATION DIA
- MATERIAL: BODY - COPPER
INSULATION - PVC
- FINISH: BODY - TIN PLATE PER ASTM B-545
INSULATION - PURPLE



-	LOOSE PIECE	55843-1
QTY	DESCRIPTION	PART NO

AMP INCORPORATED CUSTOMER SERVICE SYSTEMS		MAX RECOMMENDED OPERATING TEMPERATURE: 105° C	THIS DRAWING IS A CONTROLLED DOCUMENT.		DWN G KRUPER 01-11-93	Tyco Electronics Corporation Harrisburg, Pa 17105-3608			
FOR ADDITIONAL PRODUCT INFORMATION OR COPIES OF DRAWINGS AND TECHNICAL DOCUMENTS	PRODUCT INFORMATION CENTER 1-800-522-6752	VOLTAGE RATING: 600V MAX (BUILDING WIRING) 1000V MAX (FIXTURES & SIGNS)	DIMENSIONS: INCHES	TOLERANCES UNLESS OTHERWISE SPECIFIED:	CHK R HERSEY 01-11-93	NAME M ELLIS			
FOR APPLICATION TOOLING INFORMATION	TOOLING ASSISTANCE CENTER 1-800-722-1111	CIRCULAR MIL AREA: 0.26-2.63mm² [509-5180] SOLID OR STRANDED		0 PLC ± - 1 PLC ± - 2 PLC ± 0.20 [.008] 3 PLC ± - 4 PLC ± - ANGLES ± -	APVD M ELLIS 01-11-93	PRODUCT SPEC -			
FOR ORDER ENTRY	1-800-526-5142	THIS DRAWING IS A CONTROLLED DOCUMENT FOR AMP INCORPORATED. IT IS SUBJECT TO CHANGE AND THE CONTROLLING ENGINEERING ORGANIZATION SHOULD BE CONTACTED FOR THE LATEST REVISION.	MATERIAL	FINISH	APPLICATION SPEC -	SIZE A3	CAGE CODE 00779	DRAWING NO C-55843	RESTRICTED TO -
					CUSTOMER DRAWING	SCALE 2:1	SHEET 1 OF 1	REV D	

单击下面可查看定价，库存，交付和生命周期等信息

[>>TE Connectivity\(泰科\)](#)