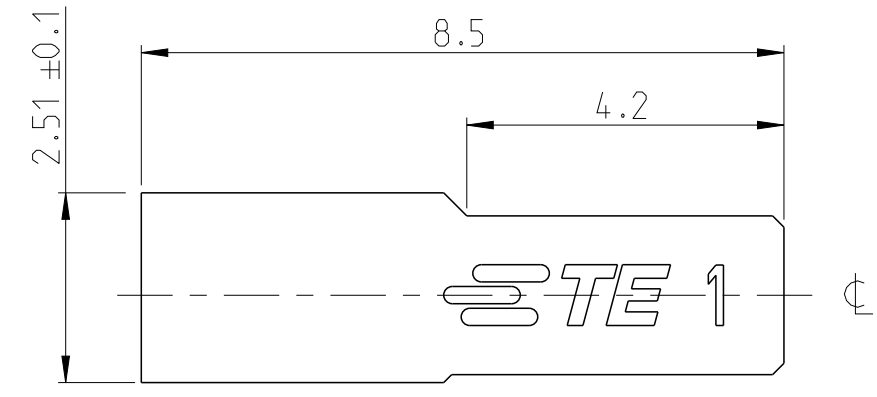
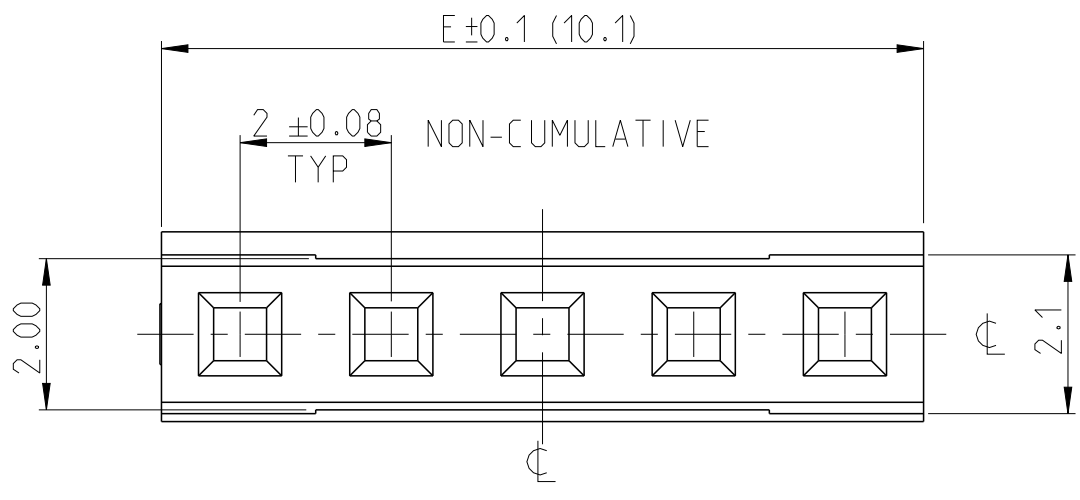
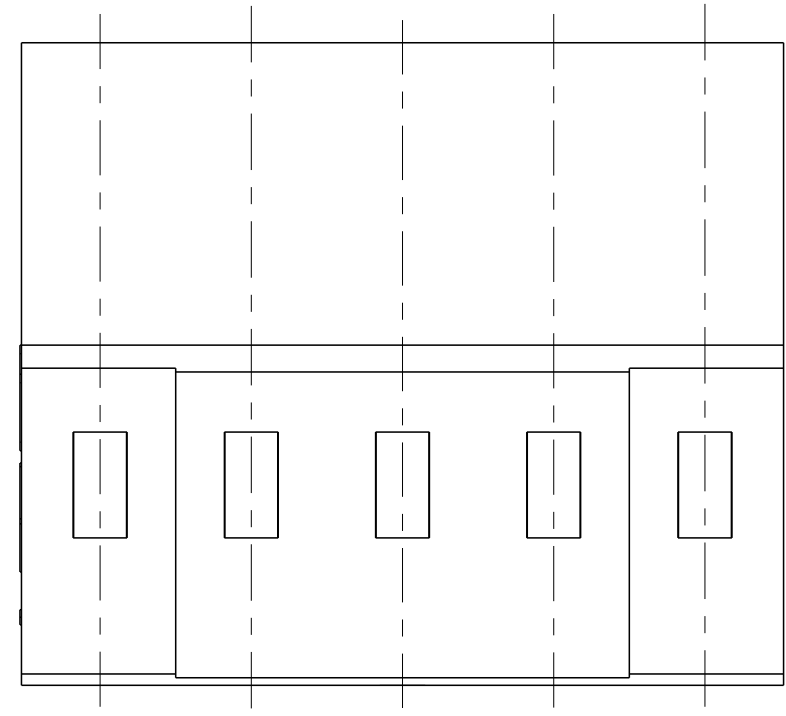


THIS DRAWING IS UNPUBLISHED. RELEASED FOR PUBLICATION
 © COPYRIGHT 2017 TE CONNECTIVITY ALL RIGHTS RESERVED.

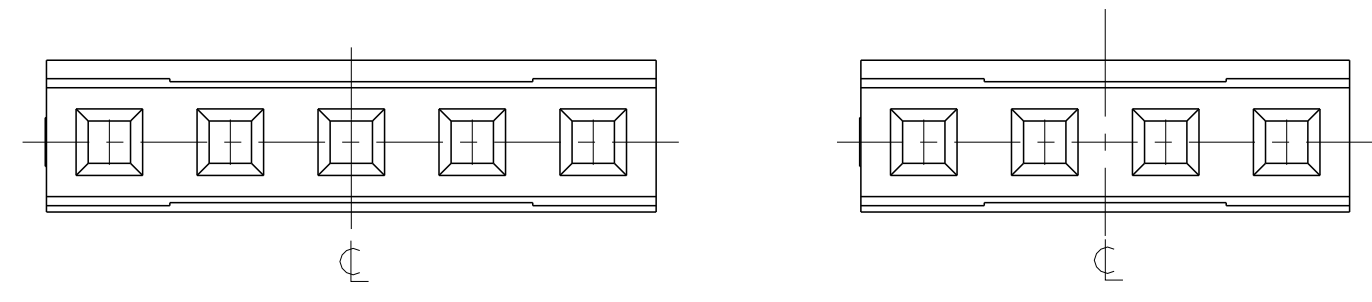
REVISIONS				
P	LTR	DESCRIPTION	DATE	APVD
	A	RELEASE TO PRODUCTION	01APR2020	AY PS



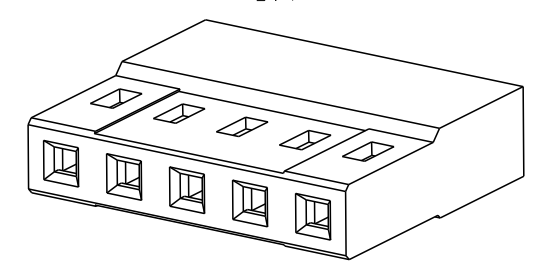
- NOTES:
- MATERIAL: LCP BLACK, UL94 V0
 - N = NUMBER OF POSITION PER HOUSING.
 - HOUSING TO BE USED WITH CRIMP CONTACTS 2316113 (AWG 28-24/0.08-0.22 mm²) AND 2316114 (AWG 30-28/0.05-0.08 mm²)
 - PACKAGING : BULK (BOX)



CENTERLINE FOR ODD AND EVEN POSITION HOUSINGS



SINGLE ROW HOUSING
 PLAIN VERSION
 -5 AS SHOWN
 5:1



BOX PACKAGING		
2-2316102-5	50.1	25
2-2316102-4	48.1	24
2-2316102-3	46.1	23
2-2316102-2	44.1	22
2-2316102-1	42.1	21
2-2316102-0	40.1	20
1-2316102-9	38.1	19
1-2316102-8	36.1	18
1-2316102-7	34.1	17
1-2316102-6	32.1	16
1-2316102-5	30.1	15
1-2316102-4	28.1	14
1-2316102-3	26.1	13
1-2316102-2	24.1	12
1-2316102-1	22.1	11
1-2316102-0	20.1	10
2316102-9	18.1	9
2316102-8	16.1	8
2316102-7	14.1	7
2316102-6	12.1	6
2316102-5	10.1	5
2316102-4	8.1	4
2316102-3	6.1	3
2316102-2	4.1	2
PART NO.	DIM "E"	N

THIS DRAWING IS A CONTROLLED DOCUMENT.		DWN RAKSHITH R NAYAK 29OCT2017	TE Connectivity	
		CHK RAKSHITH R NAYAK 29OCT2017		
		APVD PRASHANTH S 11DEC2017	NAME AMPMODU 2mm RECEPTACLE, WTB HOUSING, CRIMP, SR, PLAIN	
DIMENSIONS: mm		PRODUCT SPEC 108-64040-1	SIZE A2	CAGE CODE 00779
TOLERANCES UNLESS OTHERWISE SPECIFIED:		APPLICATION SPEC 114-32173	DRAWING NO C-2316102	RESTRICTED TO -
0 PLC ±		WEIGHT -	SCALE 10:1	SHEET 1 OF 1
1 PLC ±0.15		CUSTOMER DRAWING	REV A	
2 PLC ±0.10				
3 PLC ±				
4 PLC ±				
ANGLES ±2°				
FINISH -				
MATERIAL SEE NOTE 1				

单击下面可查看定价，库存，交付和生命周期等信息

[>>TE Connectivity\(泰科\)](#)