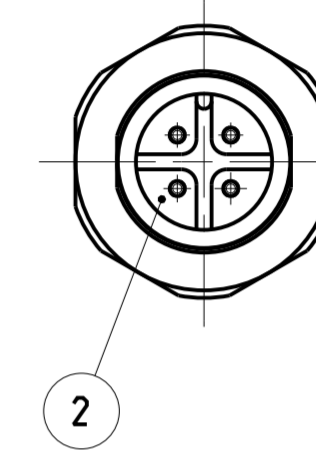
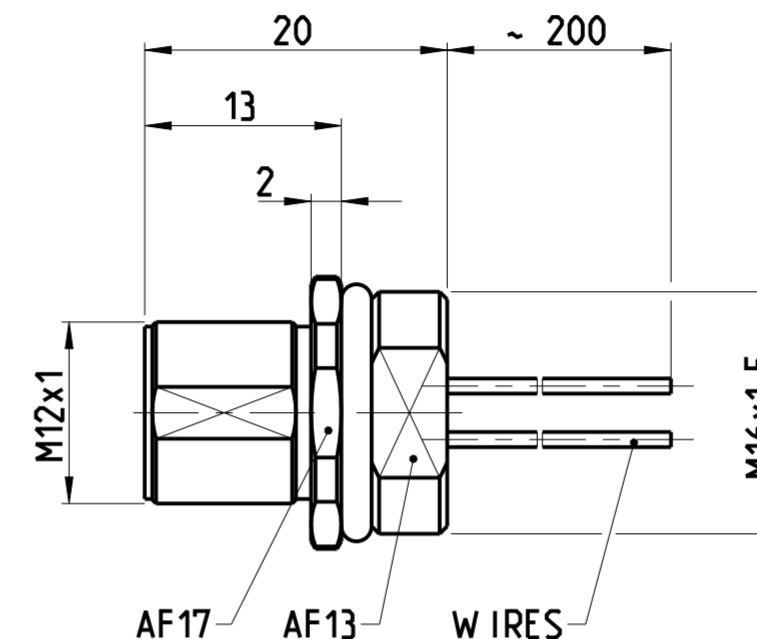
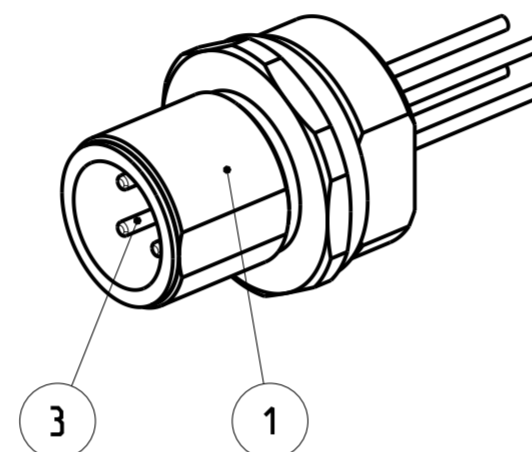
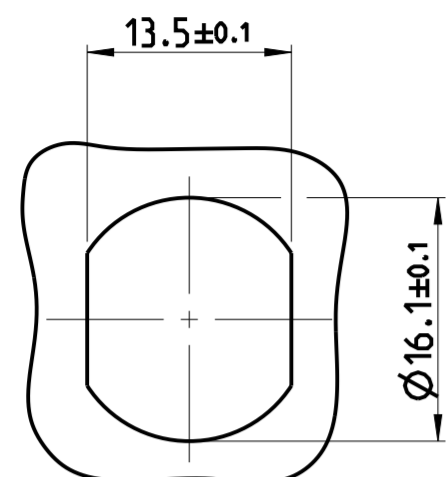


THIS DRAWING IS UNPUBLISHED. VERBAULICHE UNVERPENTLICHE ZEICHNUNG. RELEASED FOR PUBLICATION FREI FÜR VERÖFFENTLICHUNG. 2014. PATENT WITH PASSEND ZU. ALL RIGHTS RESERVED. ALLE RECHTE VORBEHALTEN.

PROJECT NO.: PRJ-14-00000805

P	LTR	REVISIONS ÄNDERUNGEN DESCRIPTION BESCHREIBUNG	DATE	DWN	APVD
	A1	DRAWING PUBLISHED	09 JUN 2014	YR	CS

RECOMMENDED CUT-OUT



TECHNICAL DATA	3-2271134-2	4-2271134-2	5-2271134-2	6-2271134-2
RATED VOLTAGE	250V	125V	60V	30V
RATED IMPULSE VOLTAGE	2500V	1500V	800V	500V
POLLUTION DEGREE	3	3	3	3
OVERVOLTAGE CATEGORY	II	II	II	II
MATERIAL GROUP	II	II	II	II
RATED CURRENT	4A	4A	2A	2A
VOLUME RESISTIVITY	≤ 3mΩ	≤ 3mΩ	≤ 3mΩ	≤ 3mΩ
DEGREE OF PROTECTION	IP68	IP68	IP68	IP68
UPPER TEMPERATURE	+85 °C	+85 °C	+85 °C	+85 °C
LOWER TEMPERATURE	-40 °C	-40 °C	-40 °C	-40 °C

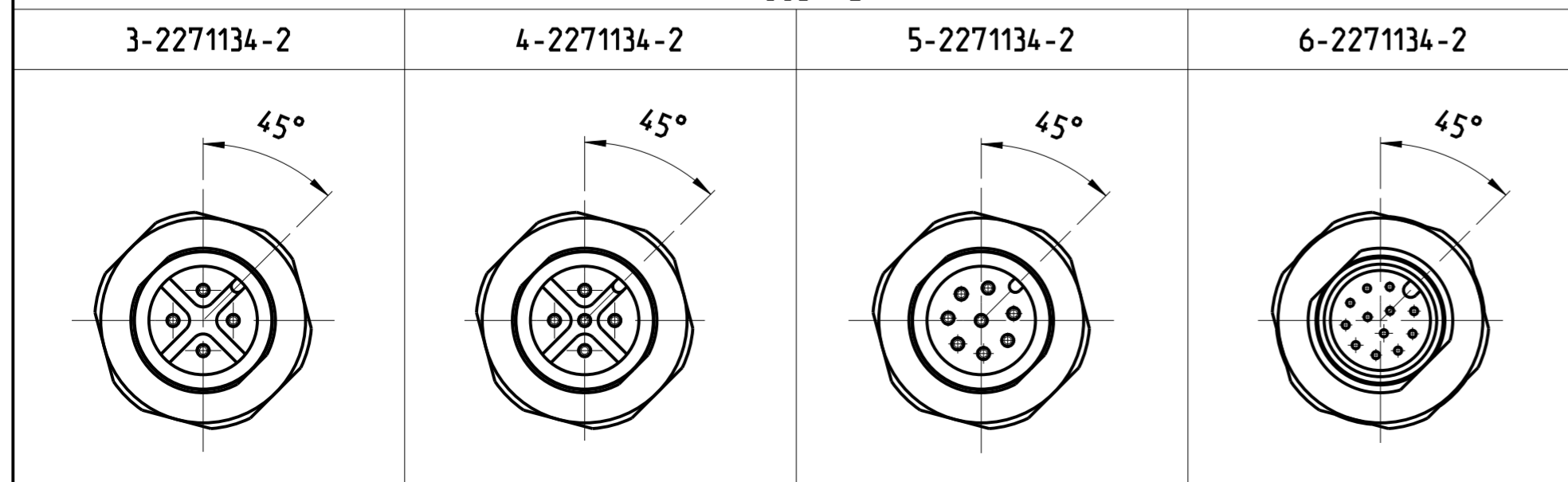
- ⚠ MATERIAL: ITEM NO. 1: HOUSING - ZINC DIE-CAST
FINISH: NICKEL-PLATED
ITEM NO. 2: CONTACT BODY - PA
ITEM NO. 3: CONTACT - CuZn
FINISH: Au

- 2 ALL DIMENSIONS ARE FOR NOMINAL REFERENCE ONLY UNLESS OTHERWISE STATED
3 MEASUREMENT REFERENCE ONLY
4 PACKAGING: 1 PIECE IN A BAG

3--2 AS SHOWN WIE GEZEICHNET

WIRES AWG / mm ²	MATERIAL	NUMBER OF POLES	TE-PART-NO.
26 / 0.14mm ²	⚠	12	6-2271134-2
24 / 0.25mm ²	⚠	8	5-2271134-2
24 / 0.25mm ²	⚠	5	4-2271134-2
24 / 0.25mm ²	⚠	4	3-2271134-2

PIN ARRANGEMENT A-CODING



SIZE ISO 14405 (E)

DIESE ZEICHNUNG IST EIN KONTROLLIERTES DOKUMENT. BEMASSUNGEN UND TOLERANZEN GEMAESS GPS (ISO STANDARDS).

THIS DRAWING IS A CONTROLLED DOCUMENT. DIMENSIONING AND TOLERANCING PER GPS (ISO STANDARDS).

DWYASHKUMAR 09 JUN 2014
CHK M.STRELOW 09 JUN 2014
APVD C.SCHREITLINGER 09 JUN 2014

NAME: M12 MALE PANEL MOUNT CONNECTOR A-CODING

SIZE: A2 CAGE CODE: 00779 DRAWING NO: C-2271134

Customer Drawing / KUNDENZEICHNUNG SCALE: 2:1 SHEET 1 OF 1 REV A1

单击下面可查看定价，库存，交付和生命周期等信息

[>>TE Connectivity\(泰科\)](#)