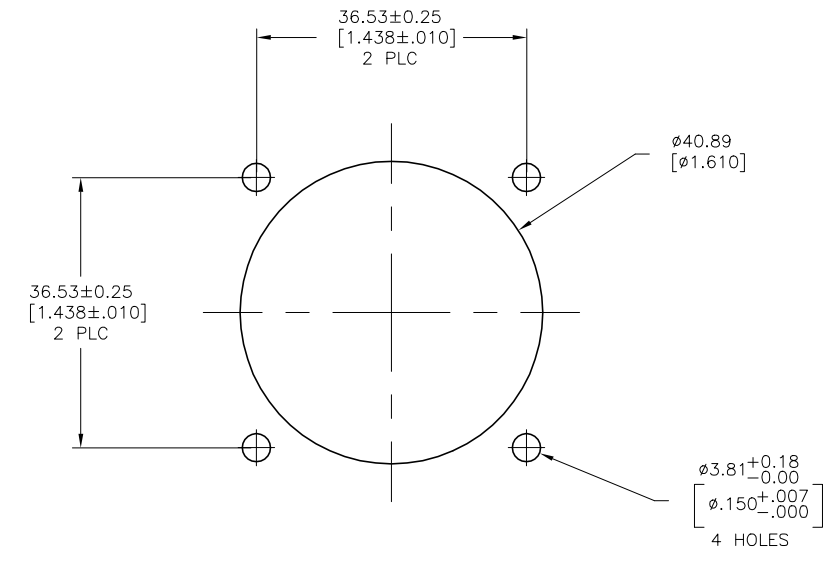
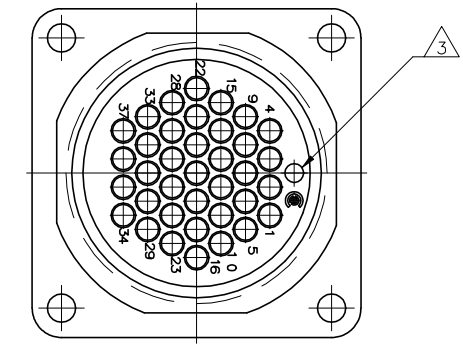
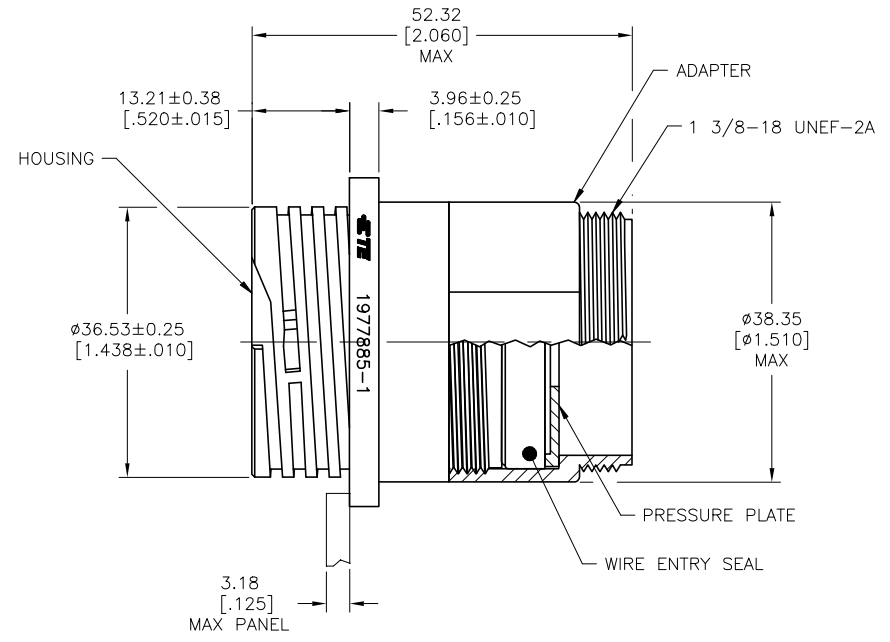
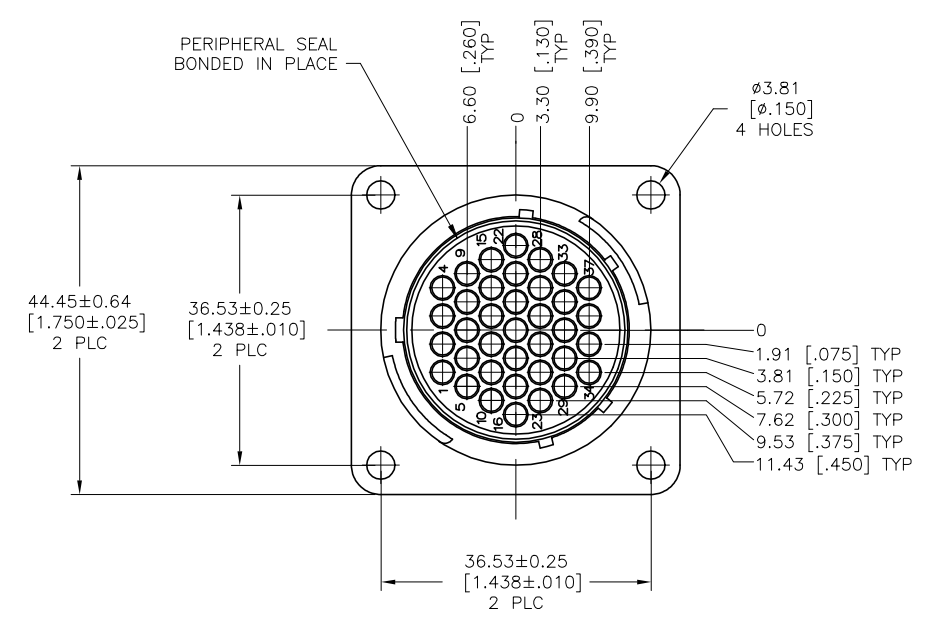


THIS DRAWING IS UNPUBLISHED. RELEASED FOR PUBLICATION
 © COPYRIGHT - By - ALL RIGHTS RESERVED.

REVISIONS				
REV	DATE	BY	CHK	APPD
A	08NOV12	KH	MZ	
B	06AUG2019	RS	MZ	

- 1 ADAPTER AND HOUSING: NYLON, BLACK.
 WIRE ENTRY SEAL: ELASTOMER, RED-IRON OXIDE.
 PERIPHERAL SEAL: ELASTOMER, BLACK.
- 2 CONNECTOR WILL ACCEPT (37) MULTIMATE PIN CONTACTS.
- 3 ORIENTATION HOLE USED IN THE MANUFACTURING PROCESS ONLY.
 THIS HOLE IS NOT INTENDED FOR WIRE INSERTION.



RECOMMENDED PANEL CUTOUT

1977885-1
 PART NUMBER

THIS DRAWING IS A CONTROLLED DOCUMENT.		DWN: KIRAN HÖLAL 08NOV12	TE Connectivity	1977885-1	
DIMENSIONS: mm [INCHES]		CHK: M ZITTO 08NOV12		PART NUMBER	
TOLERANCES UNLESS OTHERWISE SPECIFIED:		APPD: M ZITTO 08NOV12	CPC SQUARE FLANGE RECEPTACLE ASSEMBLY, SERIES 1, SEALED, 23-37, STANDARD SEX, UV RESISTANT		
0 PLC ± - 1 PLC ± - 2 PLC ± 0.13(.005) 3 PLC ± - 4 PLC ± - ANGLES ± -		NAME: 108-1579	APPLICATION SPEC		
MATERIAL: 1		WEIGHT: -	SIZE: A1	CAGE CODE: 00779	DRAWING NO: 1977885
FINISH: -		SCALE: 2:1	SHEET 1 OF 1 REV B		

单击下面可查看定价，库存，交付和生命周期等信息

[>>TE Connectivity\(泰科\)](#)