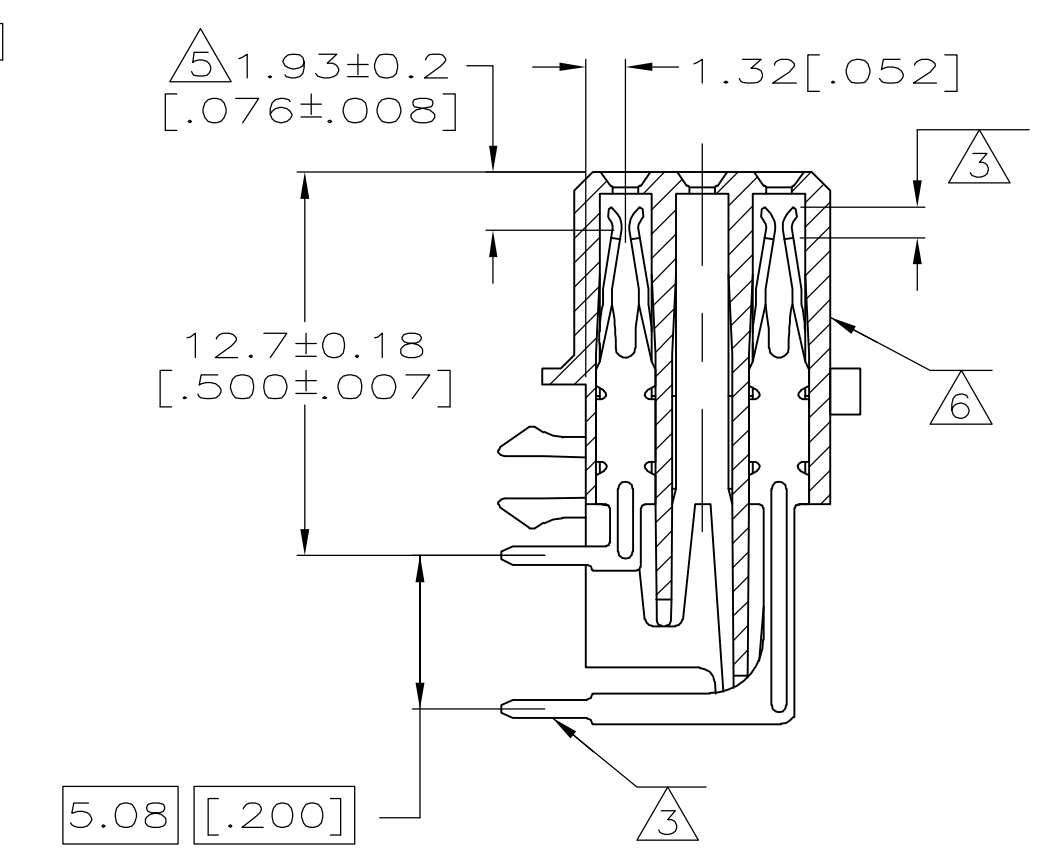
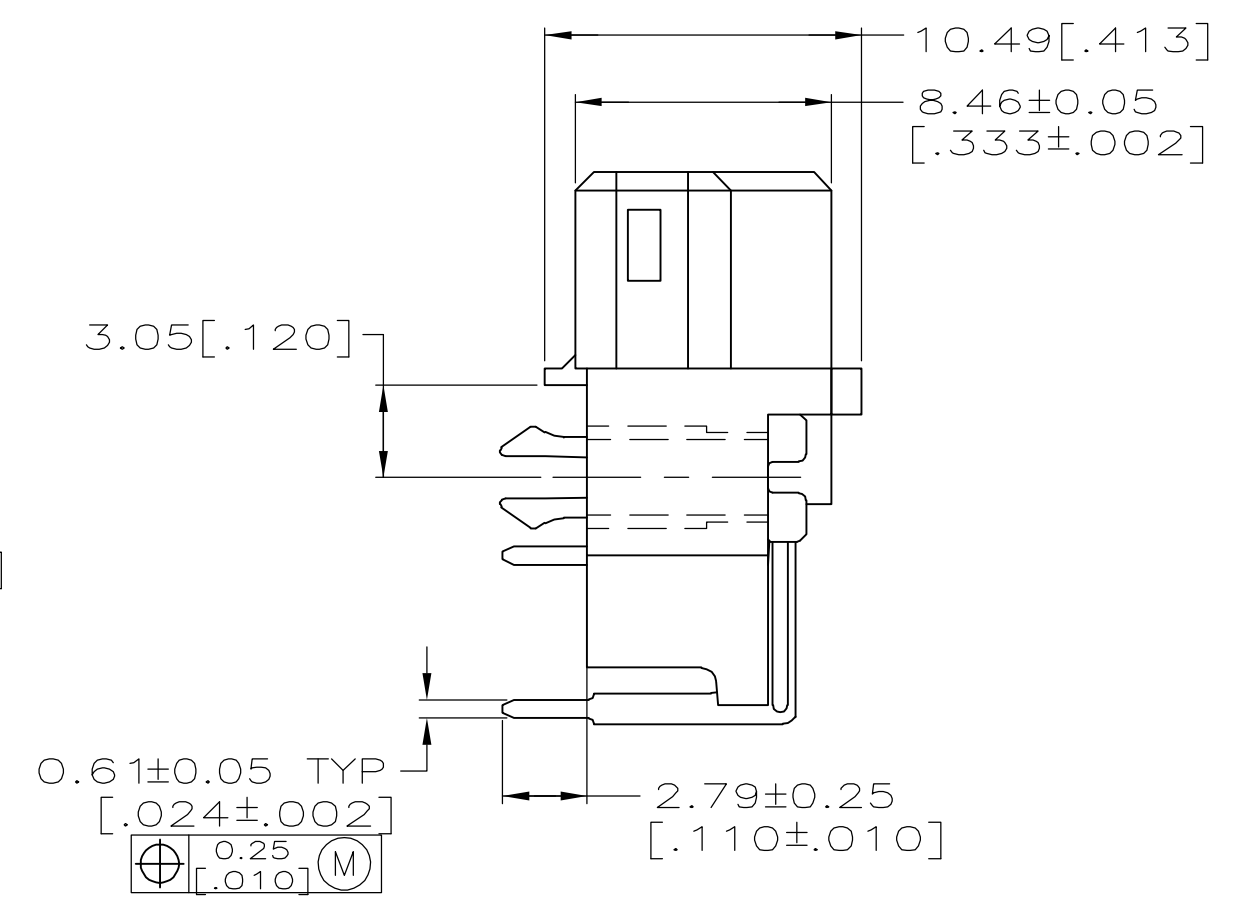
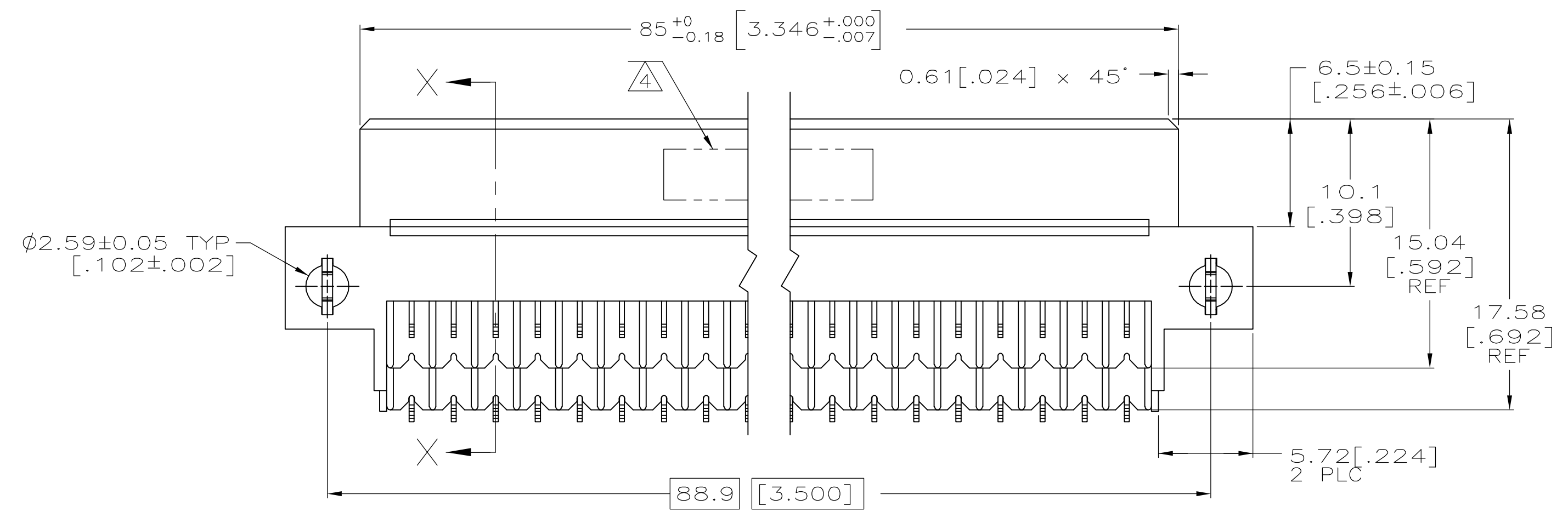
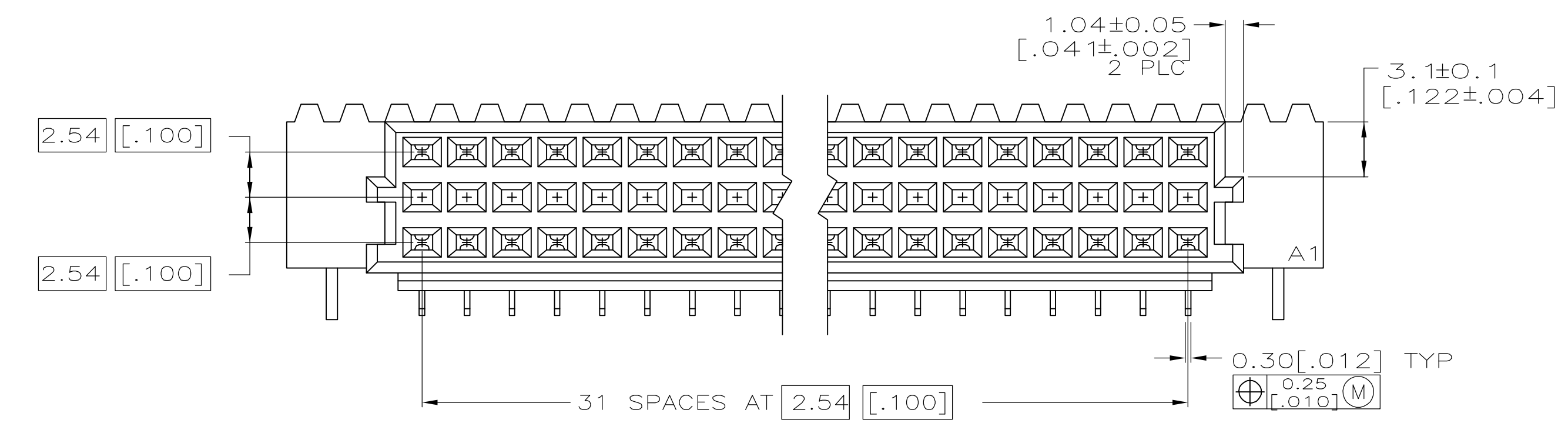
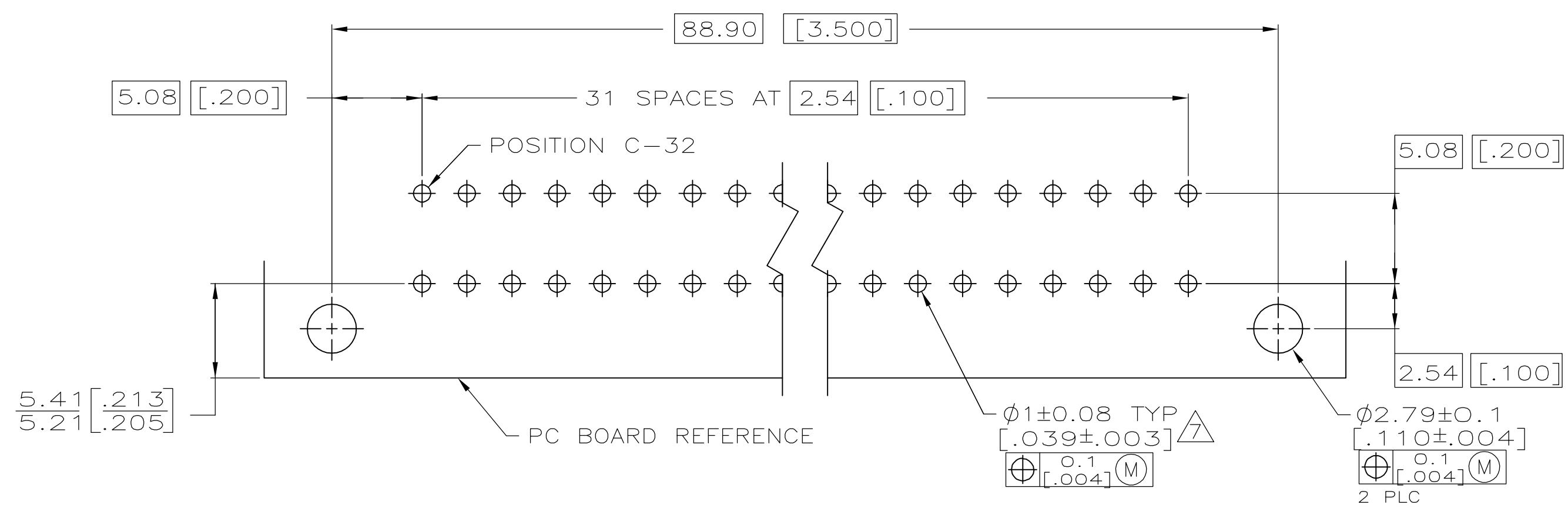
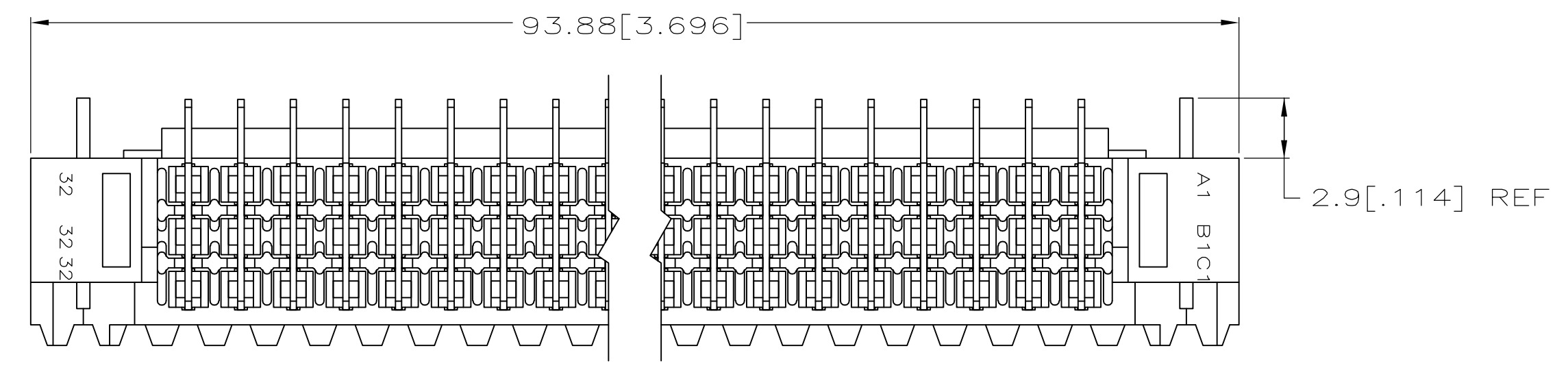


- △ HOUSING MATERIAL: GLASS-FILLED POLYMER.
- △ CONTACT MATERIAL: COPPER ALLOY.
- △ CONTACT FINISH: DIN 41612 CLASS 2 IN CONTACT AREA. TIN PLATE ON POSTS.
- △ PART NUMBER, DATE CODE IDENTIFICATION, CSA LOGO, THIS APPROXIMATE AREA.
- △ CONTACT POINT.
- △ MARKING ON THIS SIDE.
- △ RECOMMENDED HOLE SIZE FOR MANUAL APPLICATION OF CONNECTOR ONTO PC BOARD.



SECTION X-X



PC BOARD LAYOUT  
 RECOMMENDED PC BOARD THICKNESS 1.57 [.062]

|                  |   |   |   |                         |             |
|------------------|---|---|---|-------------------------|-------------|
| 1-32             | X | - | X | 64                      | 5650897-5   |
| 1-32             | X | - | X | 64                      | 5650897-4   |
| POSITIONS LOADED | C | B | A | NO. OF LOADED POSITIONS | PART NUMBER |
|                  |   |   |   |                         |             |

THIS DRAWING IS A CONTROLLED DOCUMENT.

|                         |  |           |           |                     |           |           |            |        |
|-------------------------|--|-----------|-----------|---------------------|-----------|-----------|------------|--------|
| DIMENSIONS: mm [INCHES] | TOLERANCES UNLESS OTHERWISE SPECIFIED: | 0 PLC ± - | 1 PLC ± - | 2 PLC ± 0.15 [.005] | 3 PLC ± - | 4 PLC ± - | ANGLES ± - | FINISH |
|                         |  | △         | △         | △                   | △         | △         | △          | △      |

|                  |         |                   |  |            |
|------------------|---------|-------------------|--|------------|
| DWN: POLIGNONE   | 03JUN05 |                   | Tyco Electronics Corporation   |            |
| CHK: A. SHARPE   | 03JUN05 |                   | Harrisburg, Pa 17105-3608  |            |
| APPD: A. SHARPE  | 03JUN05 | NAME:             | ASSEMBLY, RECEPTACLE, EUROCARD, TYPE R, LEAD-FREE, A and C, 64/96 POSITION, 2.79 [.110] SOLDER POSTS, WITH BOARD LOCKS |            |
| PRODUCT SPEC:    |         | APPLICATION SPEC: | SIZE:  | CAGE CODE: |
|                  |         |                   | A1   | 00779      |
| MATERIAL:        | WEIGHT: | DRAWING NO:       | SCALE:   | SHEET:     |
|                  |         | 00779             | 4:1  | 1 OF 1     |
| CUSTOMER DRAWING |         |                   |  | REV 0      |

单击下面可查看定价，库存，交付和生命周期等信息

[>>TE Connectivity\(泰科\)](#)