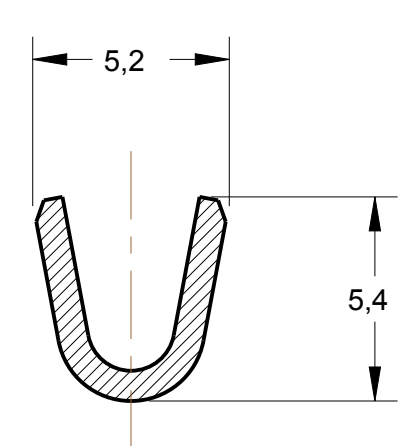
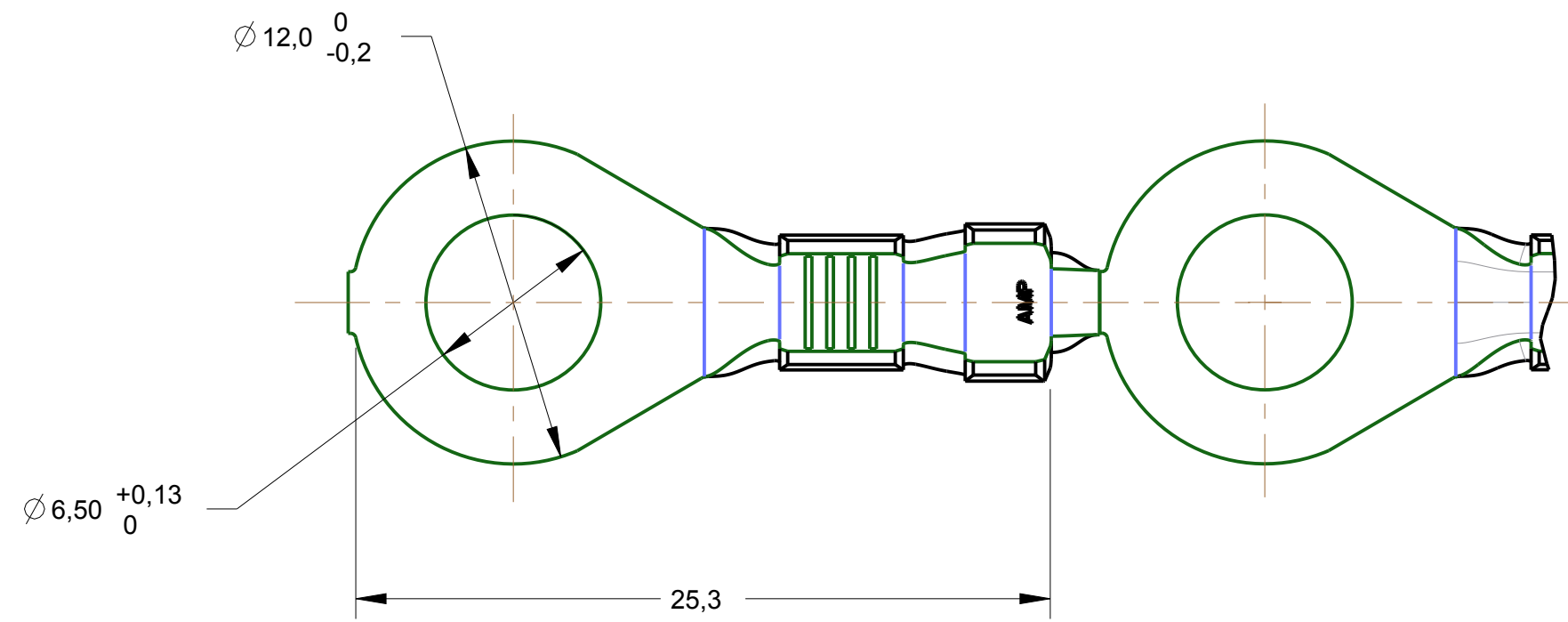


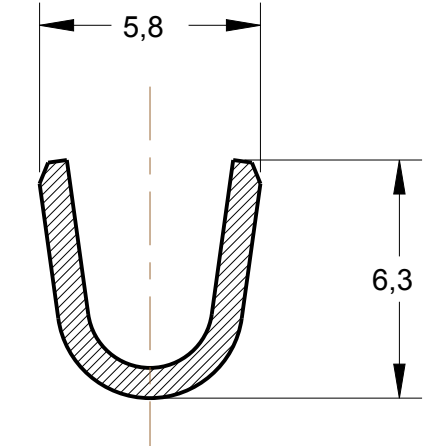
THIS DRAWING IS UNPUBLISHED. RELEASED FOR PUBLICATION 20
 © COPYRIGHT 20 ALL RIGHTS RESERVED.

creo
 Creo Parametric 2.0
**DO NOT REVISE
 EXCEPT BY CAD**

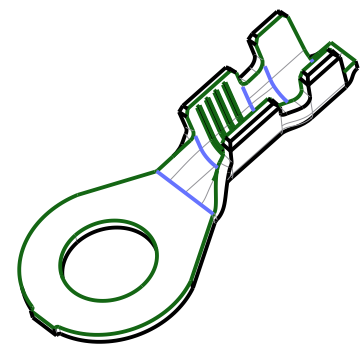
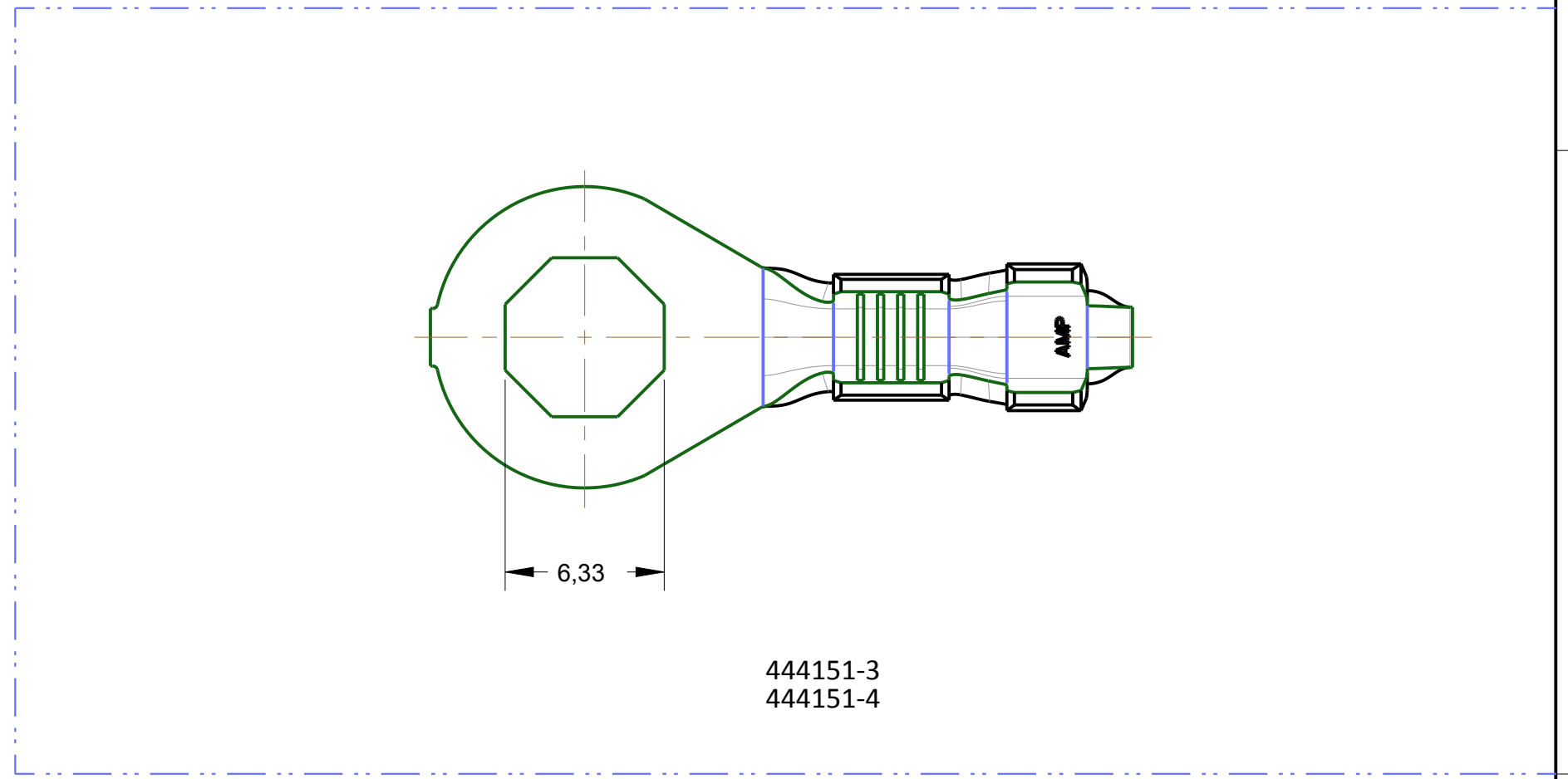
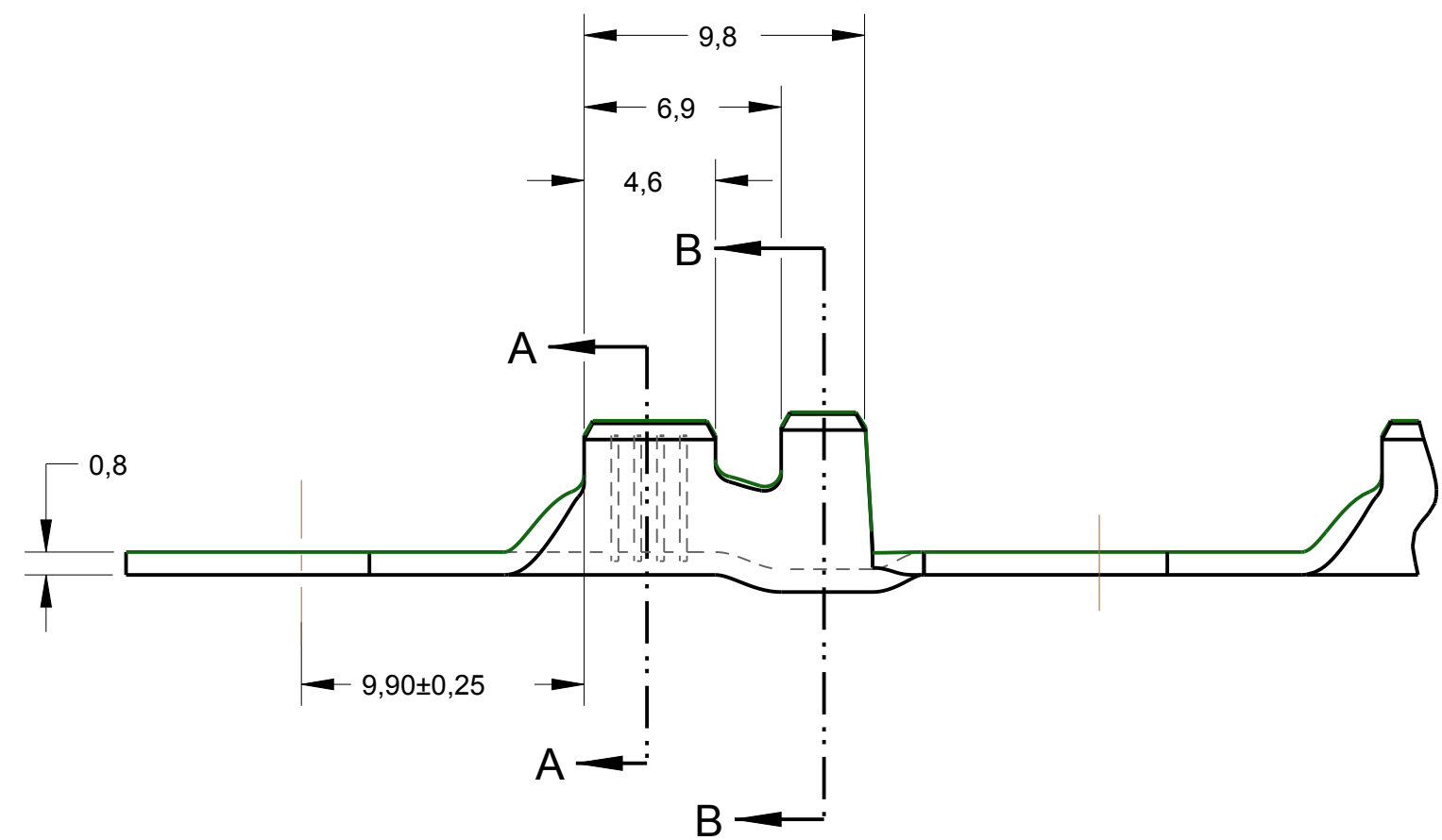
REVISIONS					
P	LTR	DESCRIPTION	DATE	DWN	APVD
A1		REDRAW BY CAD ECO-11-014874	21JUL2011	NCL	GO
A2		REV. BY ECO 17-005554	02MAY2017	HC	WLS
A3		REVISED DRAWING ECO-17-008021	05JUN2017	NCL	DAO



SECTION A-A
SCALE 5:1



SECTION B-B
SCALE 5:1



PERSPECTIVE VIEW
SCALE 2:1

>2,5 ~ 4,0mm ²	∅ 2,70 ~ 3,70
WIRE RANGE	INSUL. RANGE

ESTANHADO / TIN	MAKE FROM 444151-3	444151 -4
PLAIN	LATÃO / BRASS	444151 -3
ESTANHADO	LATÃO / BRASS	444151 -2
OBSOLETE	LATÃO / BRASS	444151 -1
FINISH	MATERIAL	PART NO

THIS DRAWING IS A CONTROLLED DOCUMENT.		DWN 21 JUL 2011 NCLAPRESA	STE TE Connectivity	
DIMENSIONS: mm		CHK 21 JUL 2011 JRGOLDSCHMIDT		
TOLERANCES UNLESS OTHERWISE SPECIFIED:		APVD 21 JUL 2011 GOLIVEIRA	NAME -	
0 PLC ±	1 PLC ±0,3	PRODUCT SPEC -	RING TONGUE	
2 PLC ±	3 PLC ±	APPLICATION SPEC -	-	
4 PLC ±	ANGLES ±1°	WEIGHT -	SIZE A2	CAGE CODE 00779
MATERIAL SEE TABLE	FINISH SEE TABLE	Customer Drawing	DRAWING NO C-444151	RESTRICTED TO -
SCALE 4:1			SHEET 1 OF 1	REV A3

单击下面可查看定价，库存，交付和生命周期等信息

[>>TE Connectivity\(泰科\)](#)