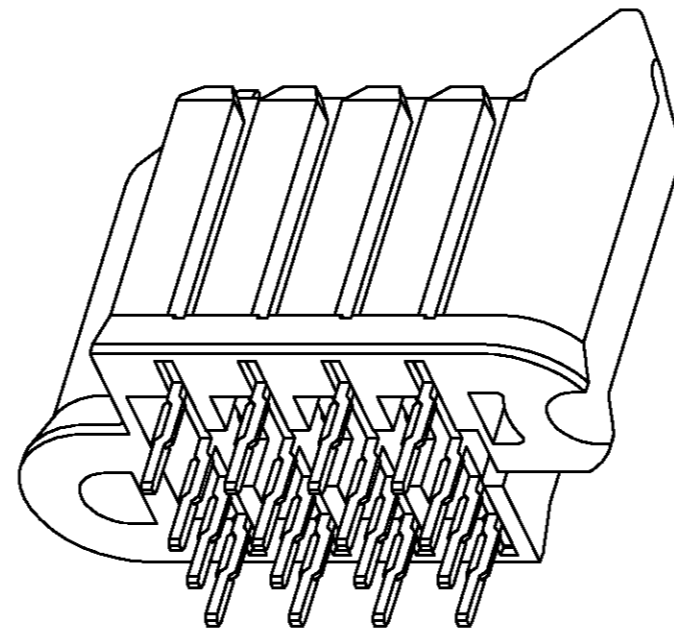
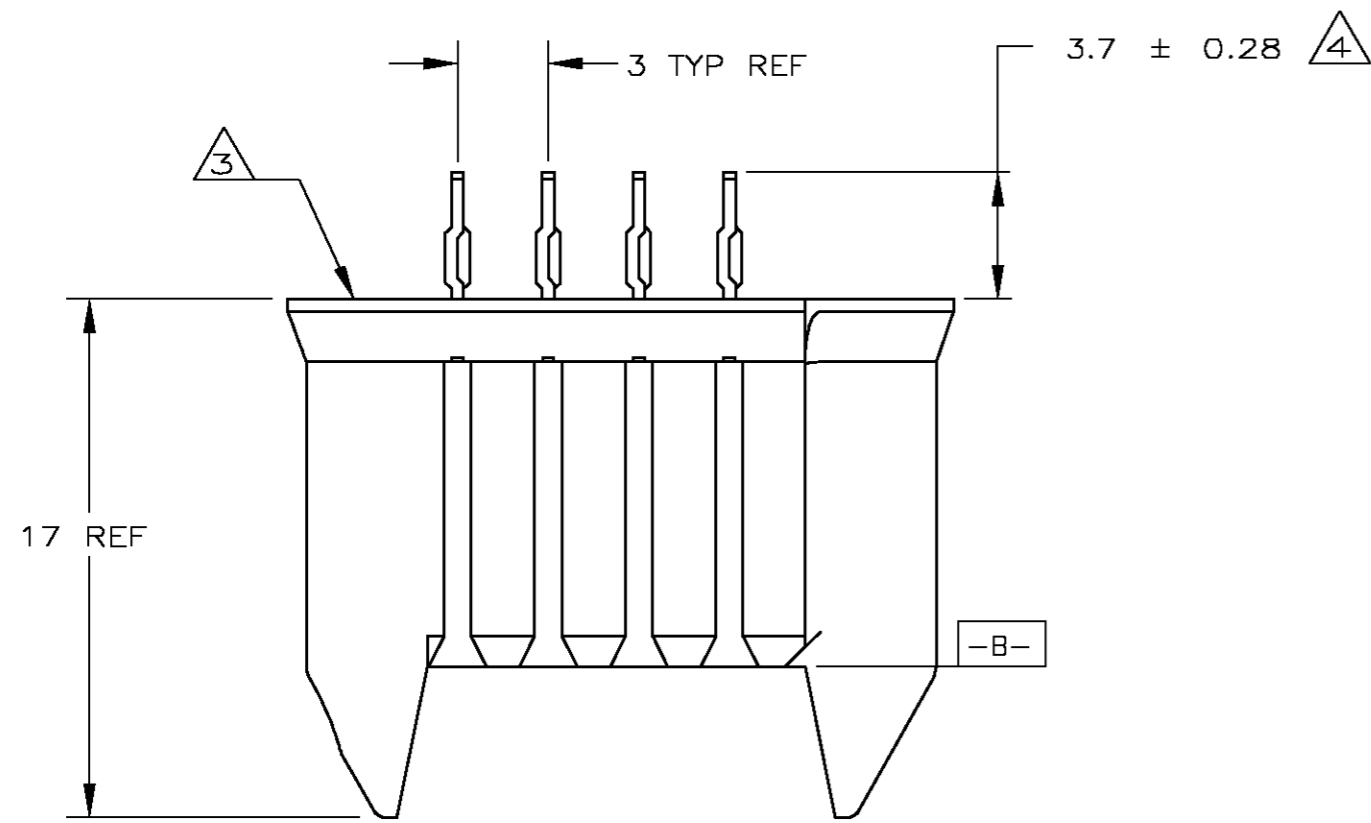
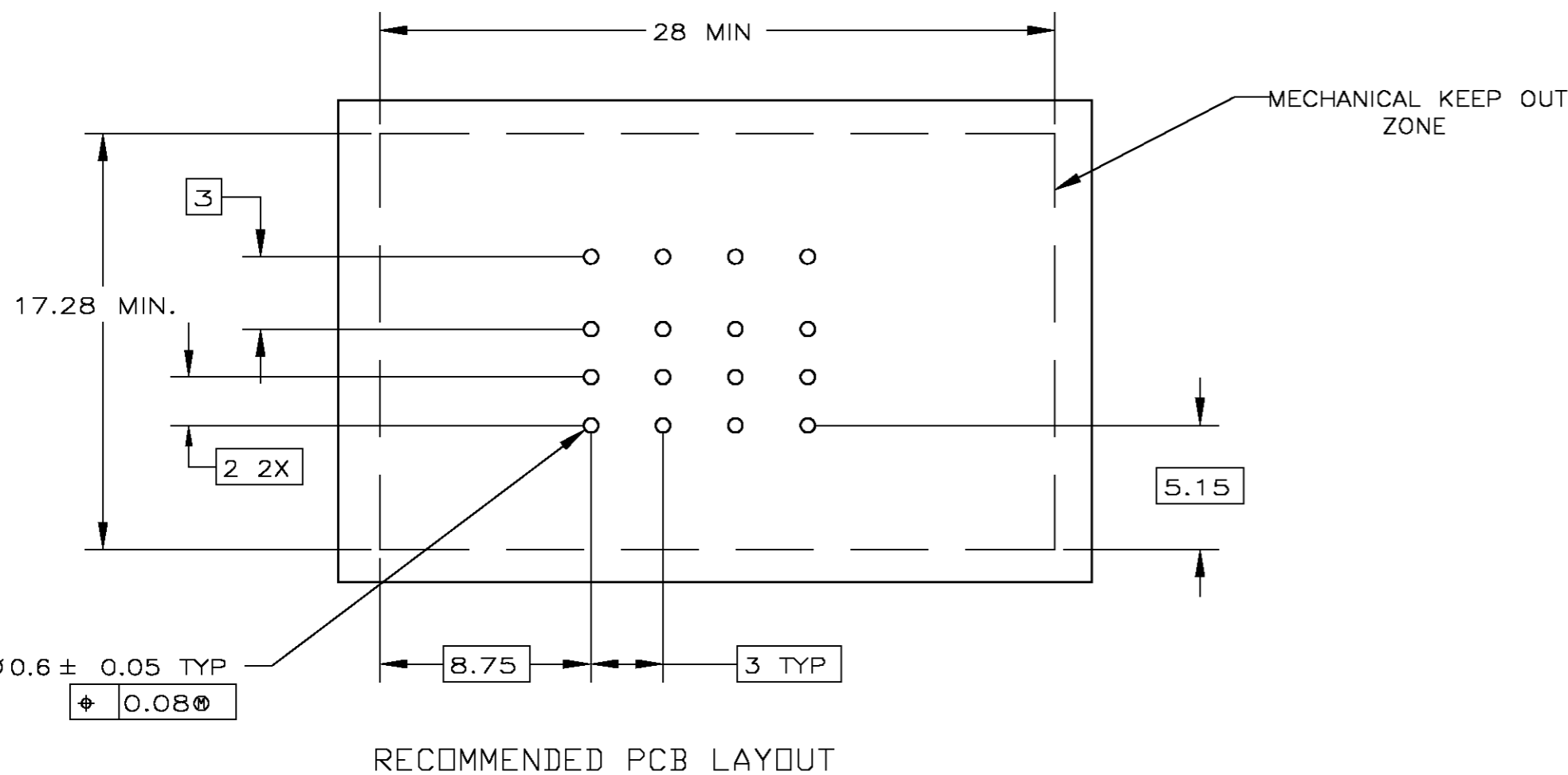
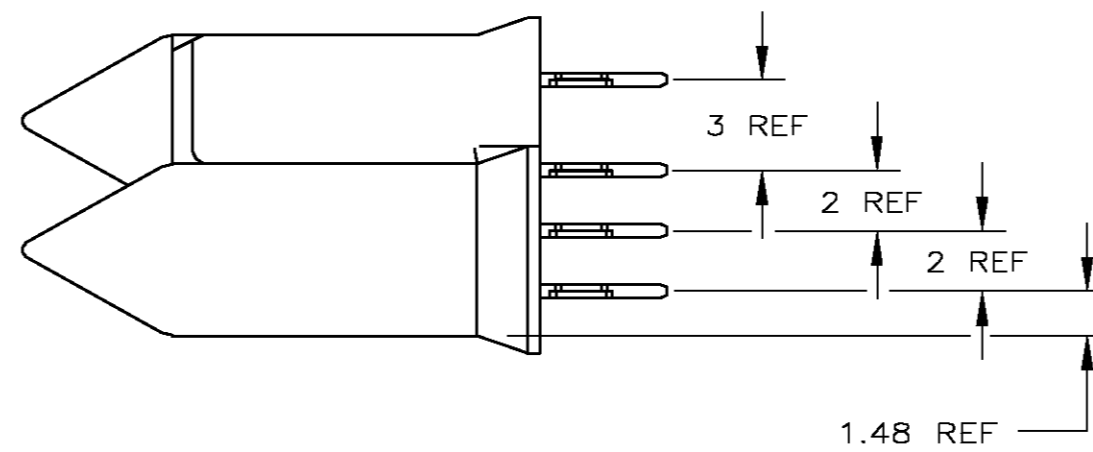
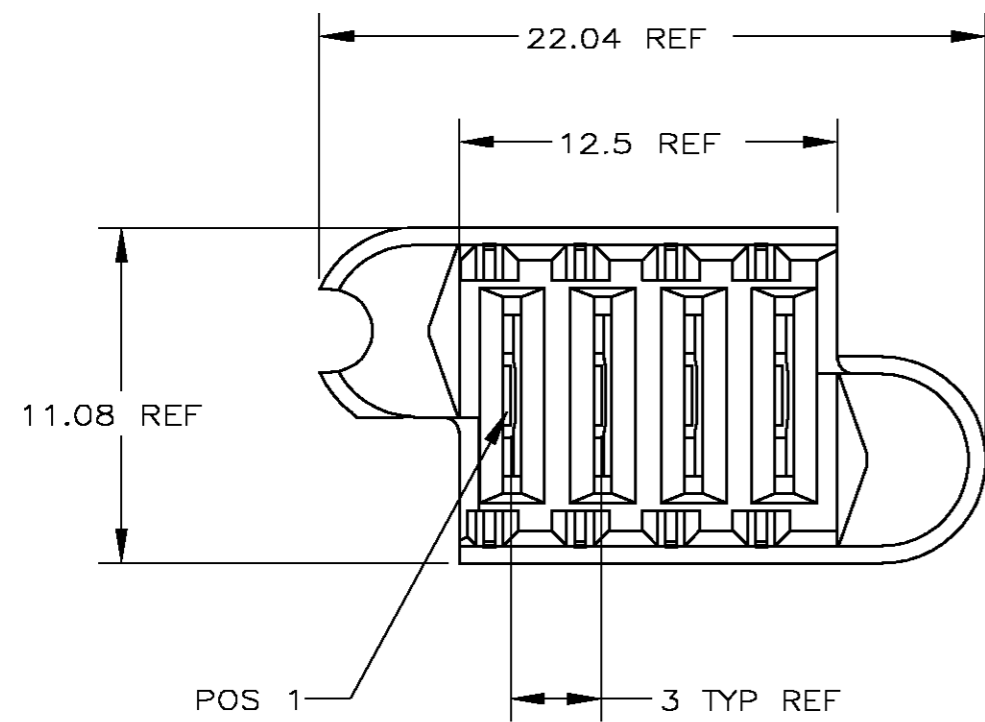


THIS DRAWING IS UNPUBLISHED. RELEASED FOR PUBLICATION  
 © COPYRIGHT BY TYCO ELECTRONICS CORPORATION. ALL RIGHTS RESERVED.

LOC	DIST	REVISIONS			
P	LTR	DESCRIPTION	DATE	DWN	APVD
GP	00	A	REV PER EC 0S12-0192-04	02AUG04	AF SWB



- 1 MATERIAL: HOUSING - HIGH TEMP THERMO PLASTIC (UL 94 V-0), BLACK  
CONTACT - COPPER ALLOY
- 2 CONTACT PLATING: 1.27 μm MIN Au OVER 1.27 μm Ni ON CONTACT AREA.  
Sn OVER Ni ON TAILS
- 3 "AMP" TRADEMARK TO APPEAR ON THIS SURFACE.
- 4 DIMENSION APPLIES AFTER CONNECTOR IS APPLIED TO PCB.
- 5 THIS PRODUCT HAS NOT COMPLETED VALIDATION TESTING.



1489130

1489130-2  
 PART NUMBER

THIS DRAWING IS A CONTROLLED DOCUMENT.		DWN AL FRANTUM 18MAY2002	Tyco Electronics Corporation MIDDLETOWN, PA 17057	
DIMENSIONS: MM		CHK -	NAME	
TOLERANCES UNLESS OTHERWISE SPECIFIED:		APVD -	PRODUCT SPEC	
0 PLC ± -		108-1998		
1 PLC ± .25		APPLICATION SPEC		
2 PLC ± .13		114-13067		
3 PLC ± .05		SIZE A2	CAGE CODE 00779	DRAWING NO C=1489130
4 PLC ± .025		WEIGHT -	RESTRICTED TO -	
ANGLES ± 2		CUSTOMER DRAWING		
FINISH		SCALE 1:1	SHEET 1 OF 1	REV A

单击下面可查看定价，库存，交付和生命周期等信息

[>>TE Connectivity\(泰科\)](#)