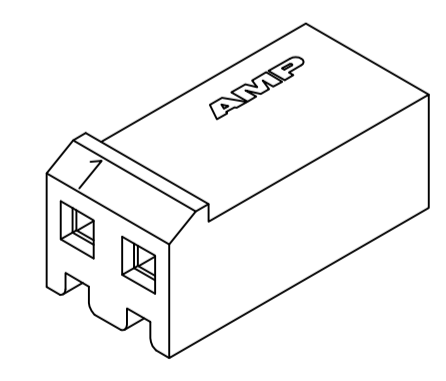
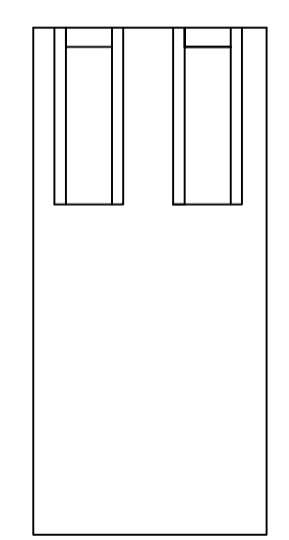
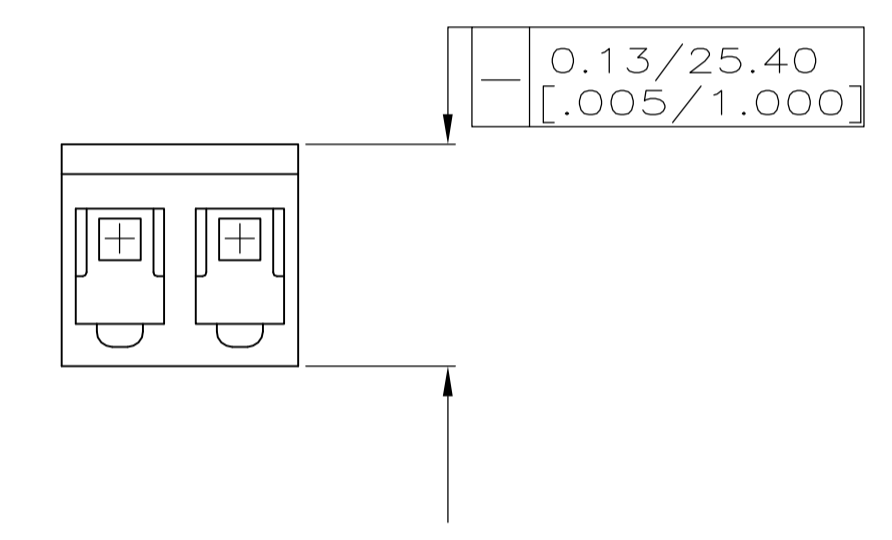
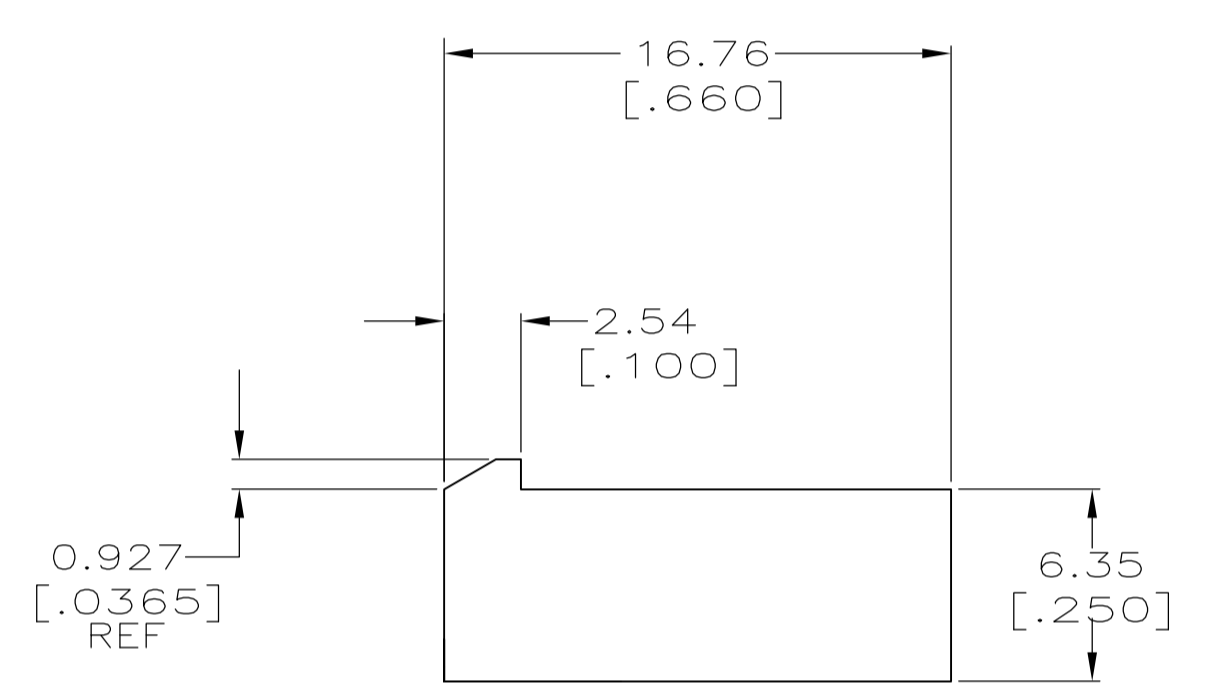
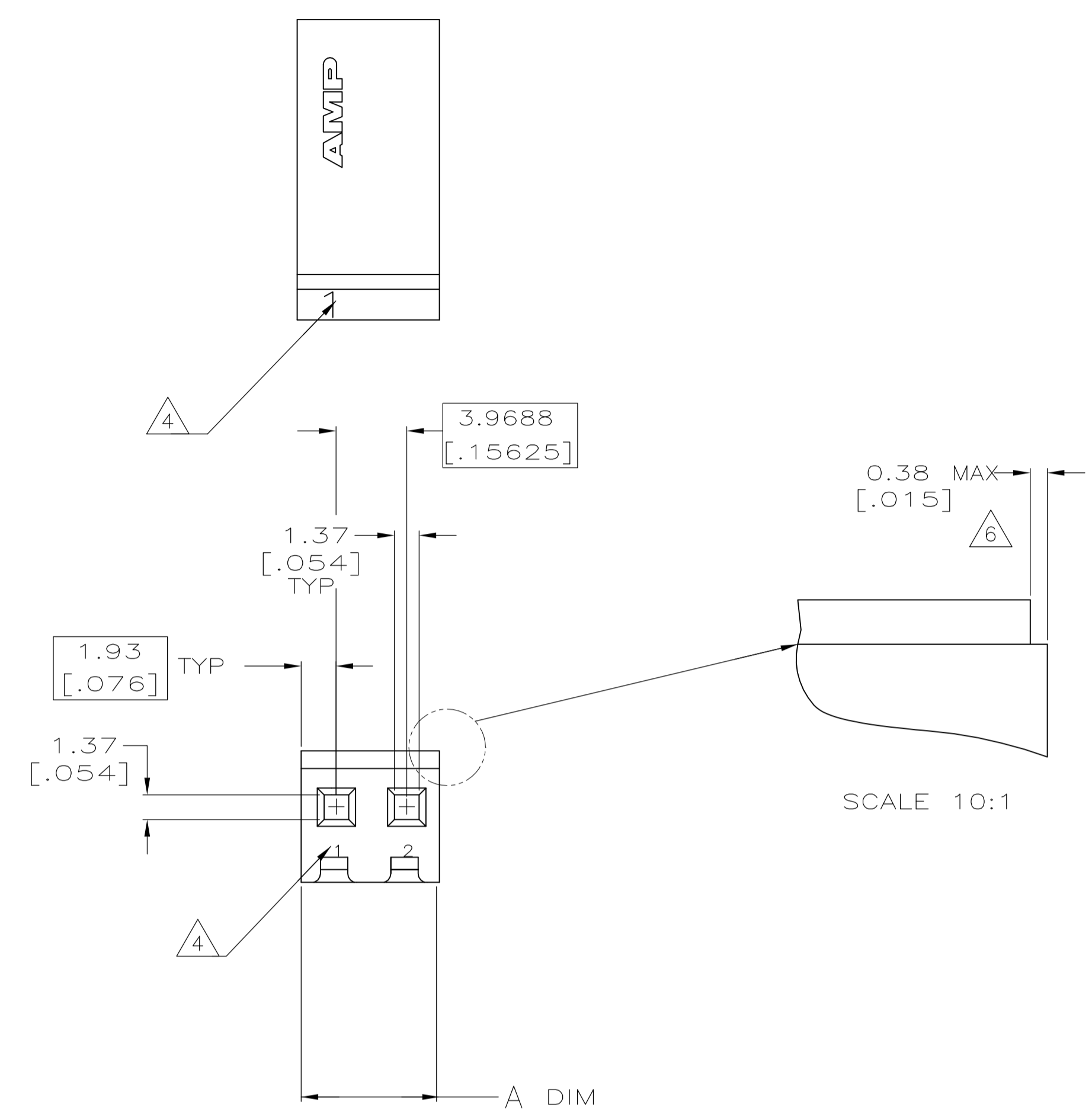


LOC		DIST		REVISIONS			
P	LTR	DESCRIPTION	DATE	DMN	APVD		
E		REVISED PER ECR-13-018617	18DEC2013	KH	TM		

- 1 UNIT ACCEPTS 1.14 [.045] SQUARE OR ROUND POST.
- 2 UNIT ACCEPTS STANDARD SL-156 CONTACTS.
- 3 UNIT ACCEPTS KEYING PLUG 640254-1 AND KEYING PIN 640255-1.
- 4 CIRCUIT I.D. NUMBER(S), TO BE LOCATED SEQUENTIALLY AS SHOWN OR ONLY NO.1 CIRCUIT PLACED ON LOCKING RAMP.
- 5 DIMENSIONS IN BRACKETS ARE IN INCHES.
- 6 OPTIONAL CONSTRUCTION (BOTH CORNERS).



3-DIMENSIONAL MODEL NTS

7.82	[.308]	2	644267-2
$A \pm 0.25$ [.010]		NO. OF CIRCUITS	PART NUMBER

THIS DRAWING IS A CONTROLLED DOCUMENT.		DIN B LEWIS 7-29-92	TE Connectivity	
DIMENSIONS: mm [INCHES]		CHK R SWING 7-29-92	NAME HOUSING WITH LOCKING RAMP, YELLOW,SL-156	
TOLERANCES UNLESS OTHERWISE SPECIFIED:		APVD E BEILES 9-28-92	RESTRICTED TO	
0 PLC	± -	PRODUCT SPEC	-	
1 PLC	± -	APPLICATION SPEC	-	
2 PLC	± -	WEIGHT	-	
3 PLC	± 0.13 [.005]	SIZE	A1	
4 PLC	± -	SCALE	4:1	
ANGLES	± 0.30°	DRAWING NO	644267	
MATERIAL NYLON,UL 94V-0 YELLOW	FINISH -	CAGE CODE	E	
CUSTOMER DRAWING		SHEET	1 OF 1	

单击下面可查看定价，库存，交付和生命周期等信息

[>>TE Connectivity\(泰科\)](#)