

THIS DRAWING IS UNPUBLISHED.

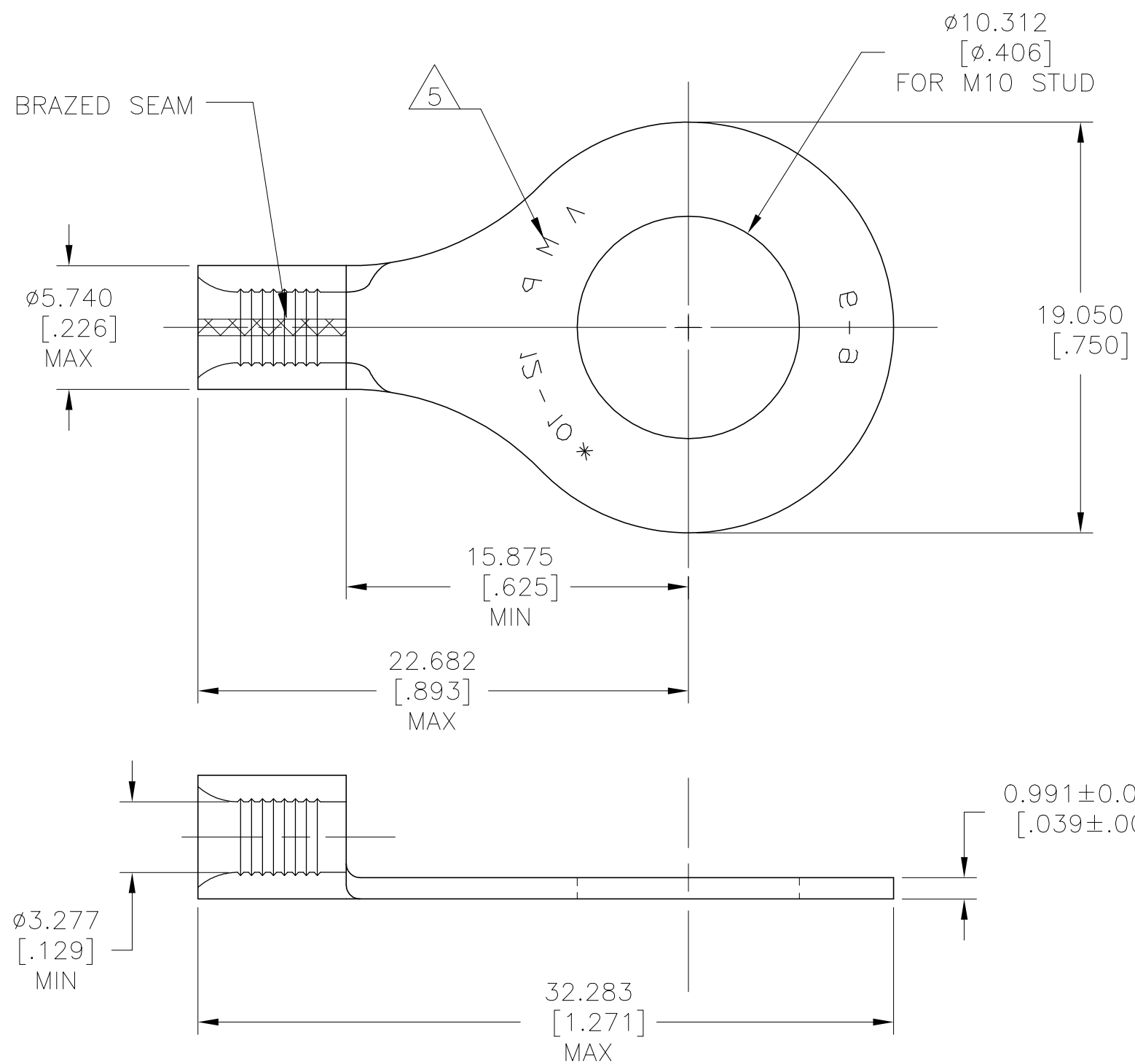
RELEASED FOR PUBLICATION

© COPYRIGHT - TE Connectivity Ltd.

ALL RIGHTS RESERVED.

REVISIONS

P	LTR	DESCRIPTION	DATE	DWN	APVD
	A	DRAWN	22MAR06	JR	TM
	A1	REVISED PER ECO-19-011565	10AUG2019	RS	DR



**AMP**  
WIRE RANGE

12-10 AWG  
SOLID OR STRANDED

---

E13288  
Listed

12-10 AWG  
SOLID OR STRANDED

- 1 NOTE DELETED
- 2 COPPER PER ASTM B-152, ANNEALED
- 3 TIN PLATED PER ASTM B-545, 0.00254[.000100] MIN THK.
- 4 NOTE DELETED
- 5 STAMP AS SHOWN

500	LOOSE PIECE	160038
QTY	PACKAGE TYPE	PART NO

AMP INCORPORATED  
CUSTOMER SERVICE SYSTEMS

THIS DRAWING IS A CONTROLLED DOCUMENT.

DWN	jr_ruth	22MAR06
CHK	T MICHIELUTTI	22MAR06
APVD	T MICHIELUTTI	22MAR06



FOR ADDITIONAL PRODUCT INFORMATION OR COPIES OF DRAWINGS AND TECHNICAL DOCUMENTS	PRODUCT INFORMATION CENTER 1-800-522-6752	MAX RECOMMENDED OPERATING TEMPERATURE: 170°C [338°F]
FOR APPLICATION TOOLING INFORMATION	TOOLING ASSISTANCE CENTER 1-800-722-1111	VOLTAGE RATING: N/A
FOR ORDER ENTRY	1-800-526-5142	WIRE CROSS SECTIONAL AREA RANGE, 2.62-6.64mm <sup>2</sup> [5,180-13,100] SOLID OR STRANDED

DIMENSIONS: mm [INCHES]	TOLERANCES UNLESS OTHERWISE SPECIFIED:
	0 PLC ± -
	1 PLC ± -
	2 PLC ± -
	3 PLC ± 0.127[.005]
	4 PLC ± -
	ANGLES ± -
MATERIAL	FINISH

PRODUCT SPEC	UL486 A-B
APPLICATION SPEC	-
WEIGHT	-
CUSTOMER DRAWING	

NAME WIRE TERMINAL, SOLISTRAND, RING TONGUE, WIRE SIZE 12-10, AWG			
SIZE	CAGE CODE	DRAWING NO	RESTRICTED TO
A3	-	C=160038	-
SCALE	SHEET	REV	
4:1	1 OF 1	A1	

单击下面可查看定价，库存，交付和生命周期等信息

[>>TE Connectivity\(泰科\)](#)