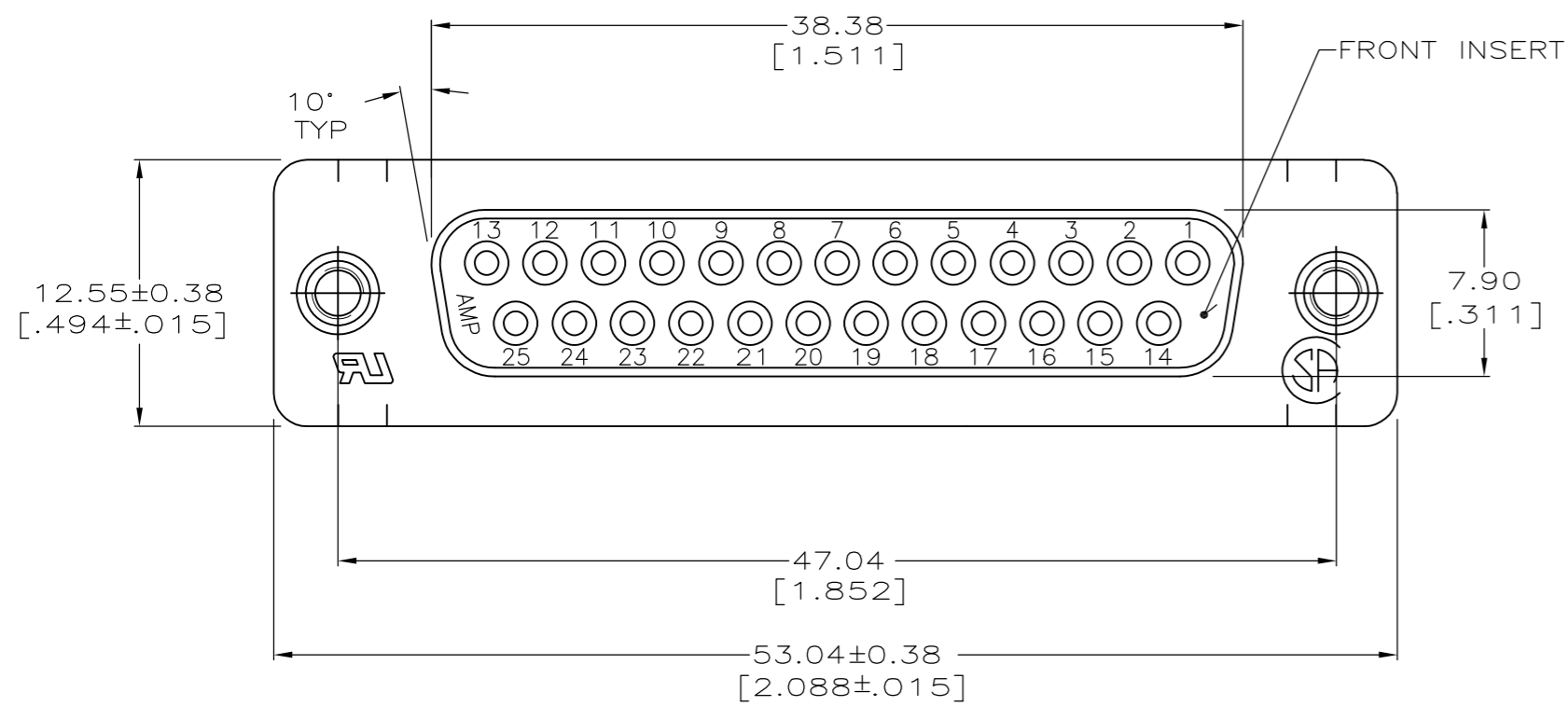
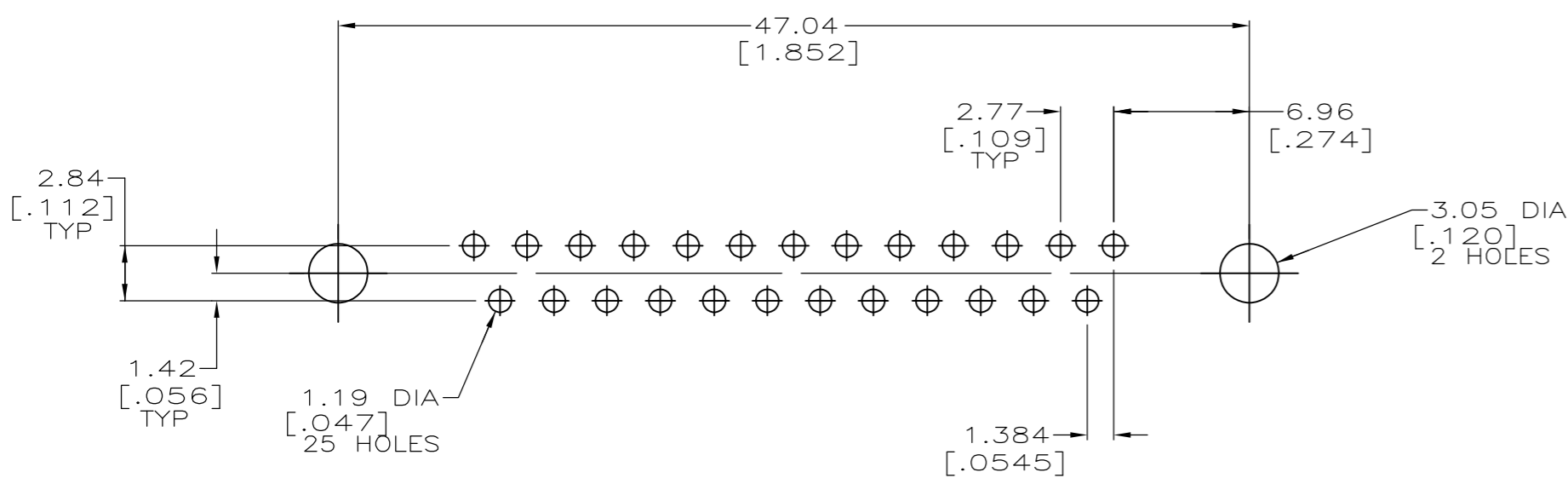
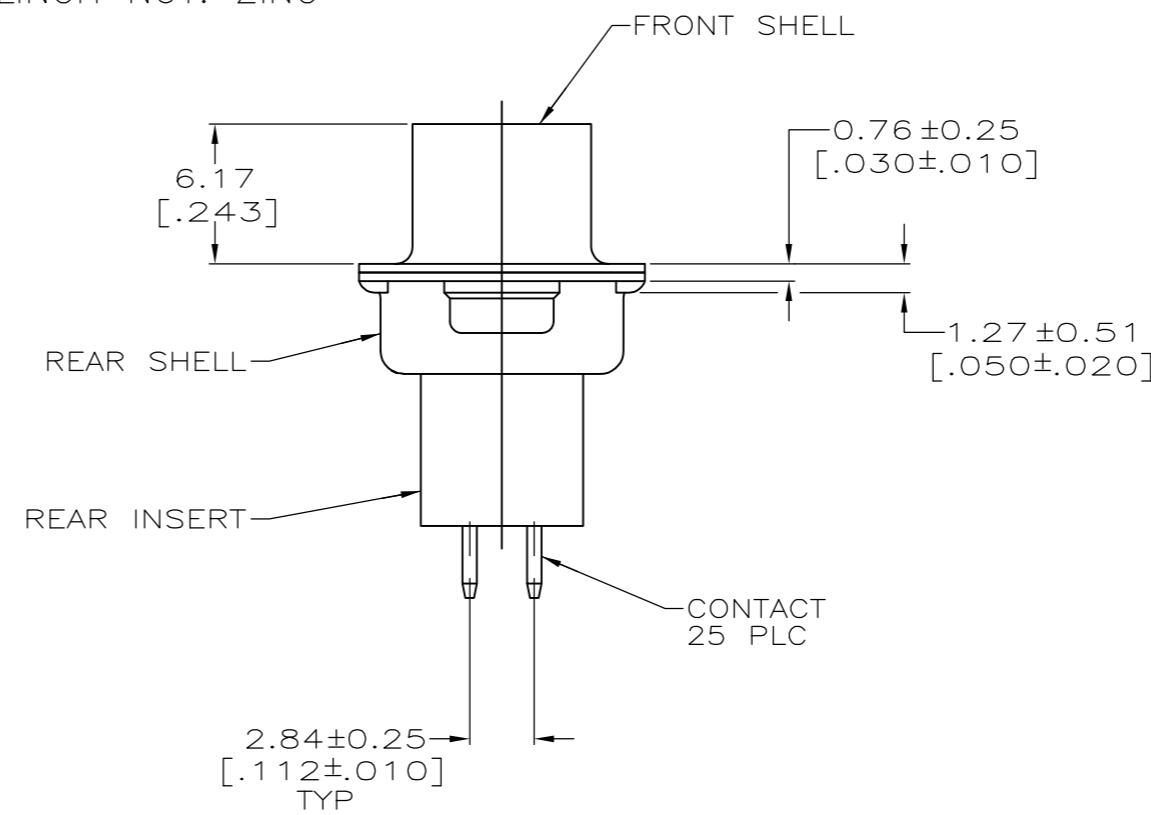
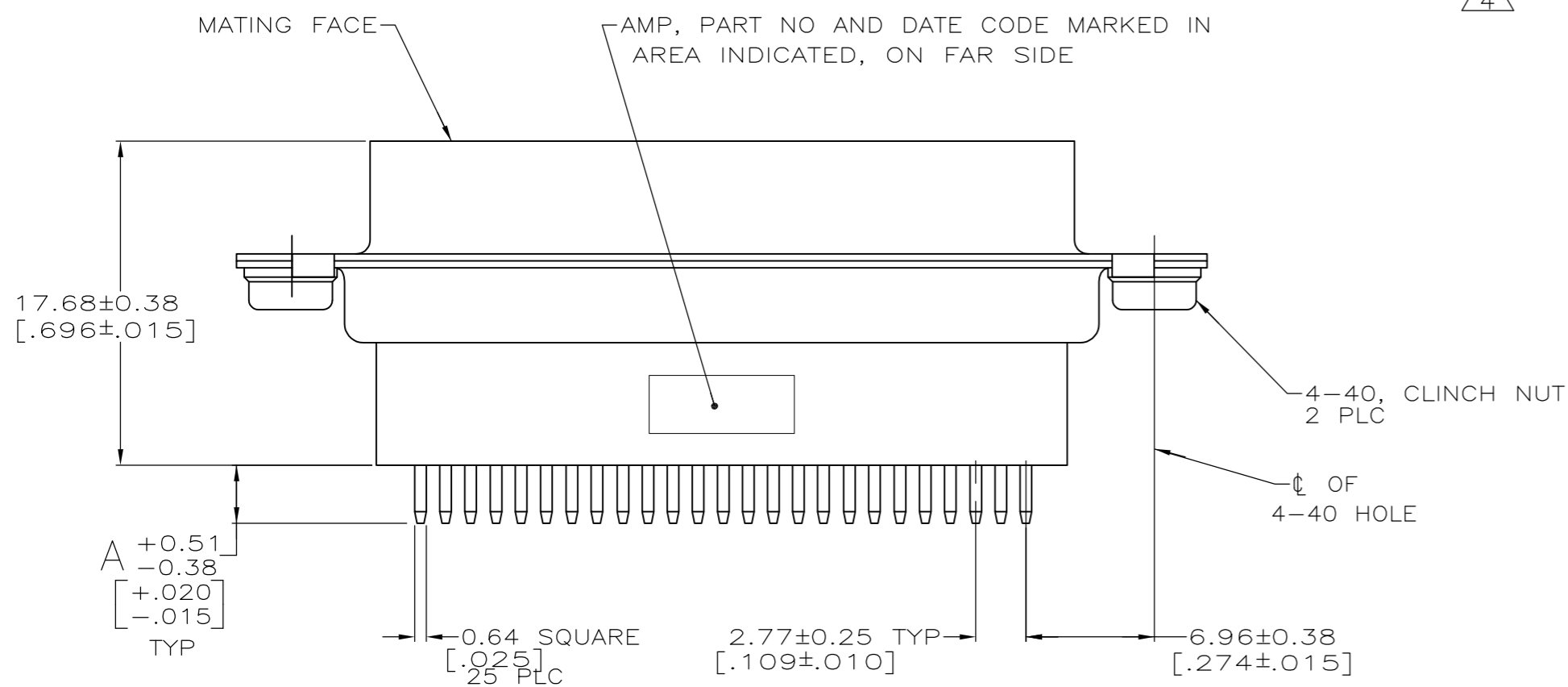


THIS DRAWING IS UNPUBLISHED. RELEASED FOR PUBLICATION
 © COPYRIGHT - By - ALL RIGHTS RESERVED.

| LOC | | DIST | | REVISIONS | | | |
|-----|-----|-------------|---------------------------|-----------|-----|------|--|
| P | LTR | DESCRIPTION | | DATE | DWN | APVD | |
| GP | 00 | U | REVISED PER ECO-14-011808 | 12AUG2014 | AP | SB | |



- 1 INSERTS: GLASS-FILLED PBT OR GLASS-FILLED NYLON, UL94V-0 RATED. COLOR: BLACK.
CONTACTS: PHOSPHOR BRONZE
SHELLS: CARBON STEEL
CLINCH NUT: CARBON STEEL
- 2 GOLD FLASH FOR LENGTH OF 2.54 [.100] MIN FROM MATING END, 2.54μm [.000100] MIN TIN OR TIN-LEAD FOR A LENGTH OF DIMENSION A FROM OPPOSITE END, BOTH OVER 1.27μm [.000050] MIN NICKEL.
- 3 0.76μm [.000030] MIN GOLD FOR LENGTH OF 2.54 [.100] MIN FROM MATING END, 2.54μm [.000100] MIN TIN OR TIN-LEAD FOR A LENGTH OF DIMENSION A FROM OPPOSITE END, BOTH OVER 1.27μm [.000050] MIN NICKEL.
-OR-
GOLD FLASH OVER PALLADIUM-NICKEL, 0.76μm [.000030] MIN TOTAL FOR A LENGTH OF 2.54 [.100] MIN FROM MATING END, 2.54μm [.000100] MIN TIN OR TIN-LEAD FOR A LENGTH OF DIMENSION A FROM OPPOSITE END, BOTH OVER 1.27μm [.000050] MIN NICKEL.
- 4 SHELLS: 5.08μm [.000200] MIN TIN OVER 2.54μm [.000100] MIN COPPER
CLINCH NUT: ZINC



RECOMMENDED PC BOARD MOUNTING DIMENSIONS

| | OBsolete | Dimension A | Contact Finish | Part Number |
|-------------------|--------------|-------------|----------------|-------------|
| | OBsolete | 3.18 [.125] | 3 | 745886-9 |
| SUPSD BY 745886-1 | 4.78 [.188] | 3 2 | | 745886-8 |
| SUPSD BY 745886-1 | 4.78 [.188] | 3 | | 745886-7 |
| OBsolete | 16.54 [.651] | 3 2 | | 745886-6 |
| OBsolete | 16.54 [.651] | 3 | | 745886-5 |
| OBsolete | 10.85 [.427] | 3 2 | | 745886-4 |
| OBsolete | 10.85 [.427] | 3 | | 745886-3 |
| | 3.18 [.125] | 3 2 | | 745886-2 |
| | 3.18 [.125] | 3 | | 745886-1 |

| | | | | |
|--|--|-------------------------|--|--|
| THIS DRAWING IS A CONTROLLED DOCUMENT. | | DWN J McCLINTON 12-5-89 | | |
| DIMENSIONS: mm [INCHES] | | CHK R. STONE 2-1-90 | | |
| TOLERANCES UNLESS OTHERWISE SPECIFIED: | | APVD - | NAME | |
| 0 PLC ± - | | PRODUCT SPEC | RECEPTACLE ASSEMBLY, SIZE 3, 25 POSN, VERTICAL, FULL METAL SHELL, AMPLIMITE® HD-20 | |
| 1 PLC ± - | | APPLICATION SPEC | SIZE CAGE CODE DRAWING NO RESTRICTED TO | |
| 2 PLC ± 0.13 [.005] | | 108-40025 | A2 00779 C=745886 | |
| 3 PLC ± - | | 114-40013 | SCALE 3:1 SHEET 1 OF 1 REV U | |
| 4 PLC ± - | | WEIGHT - | | |
| ANGLES ± - | | CUSTOMER DRAWING | | |
| FINISH | | CONTACTS: SEE TABLE | | |

单击下面可查看定价，库存，交付和生命周期等信息

[>>TE Connectivity\(泰科\)](#)