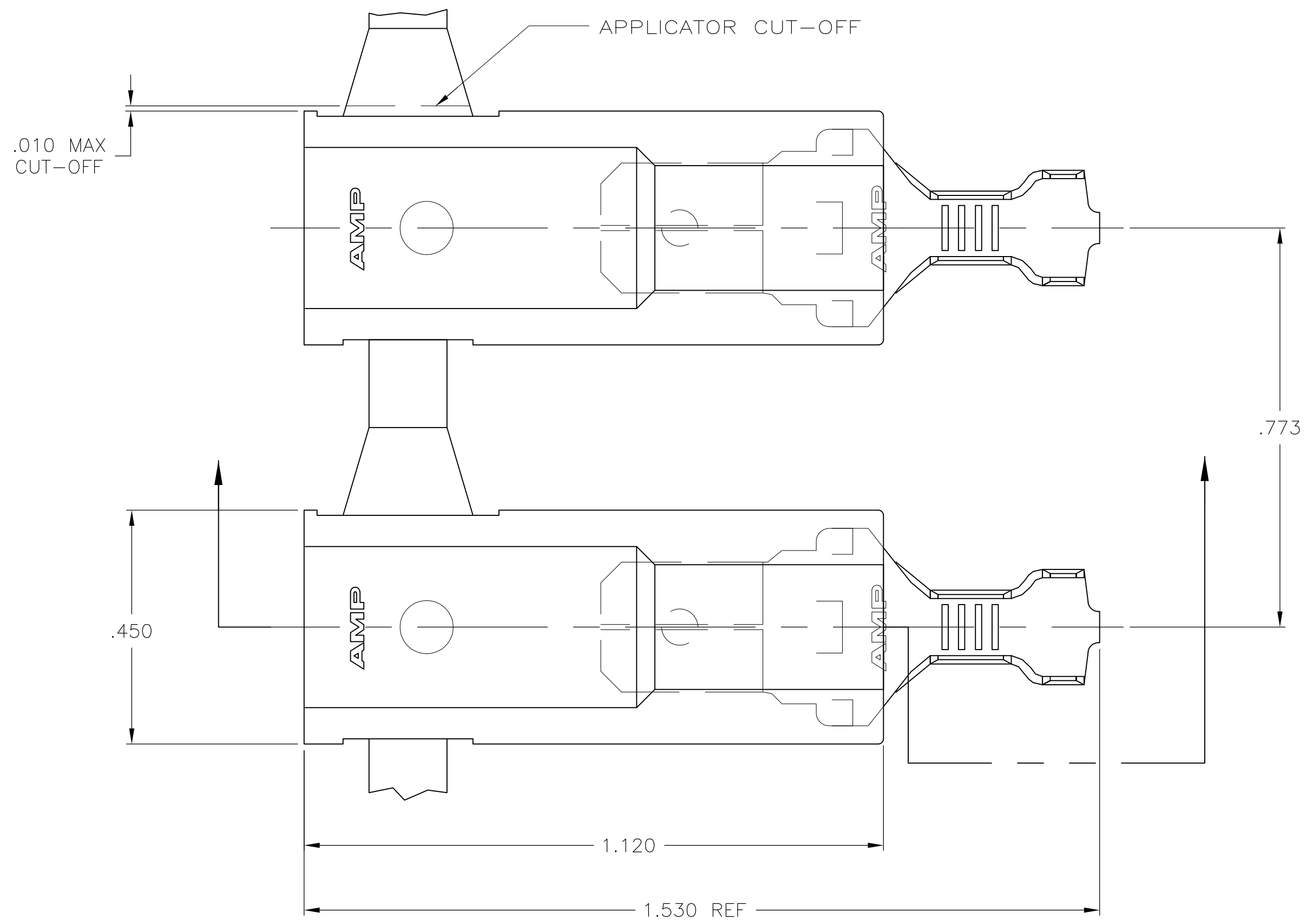
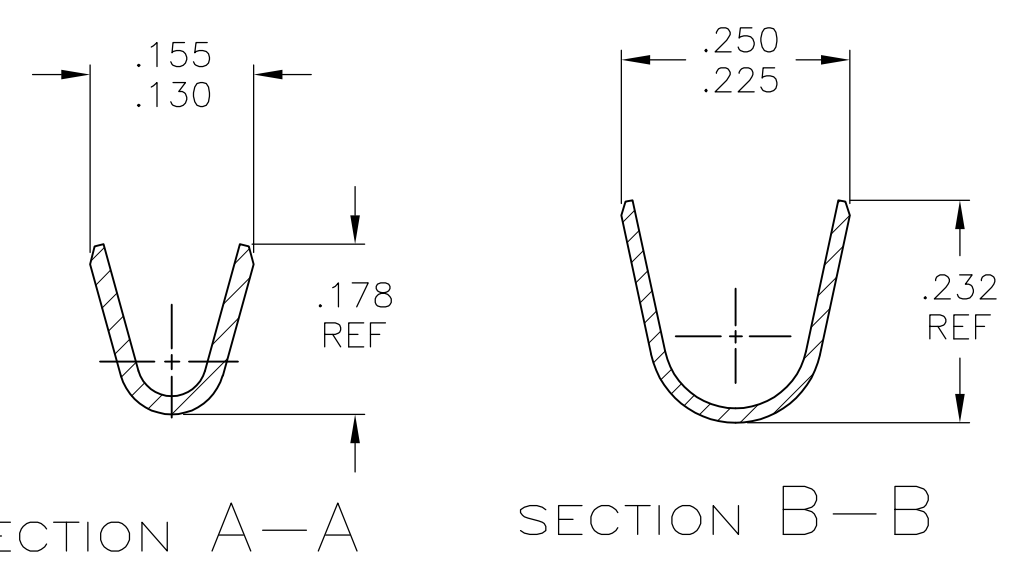
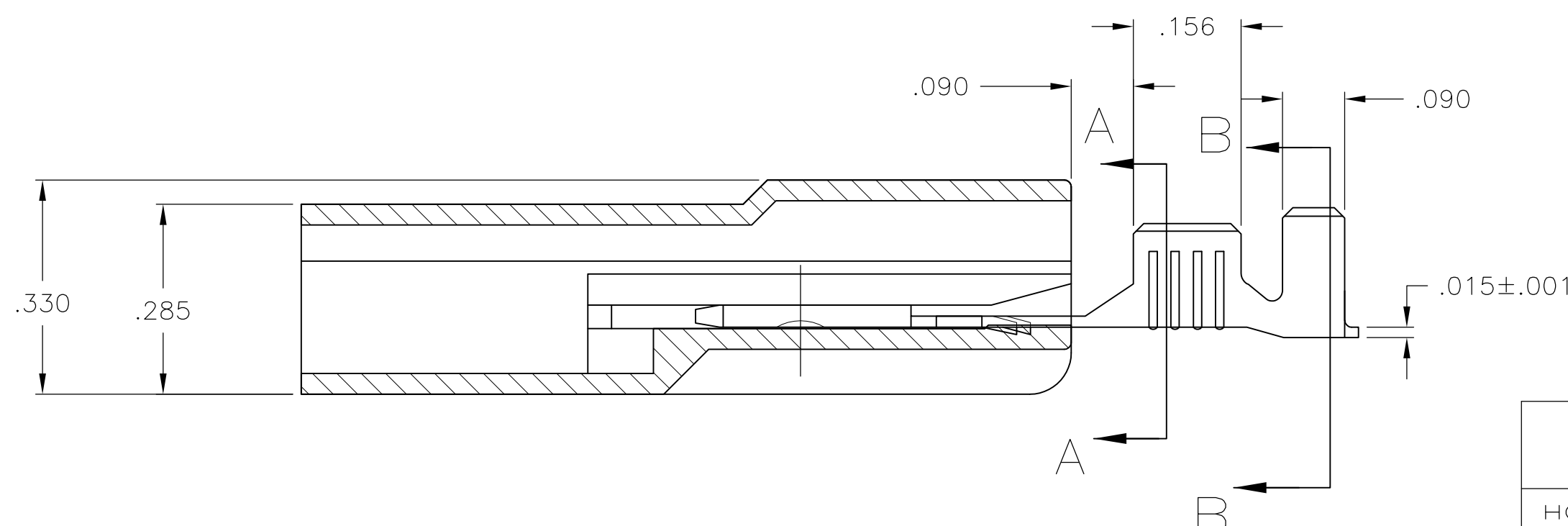


THIS DRAWING IS UNPUBLISHED. RELEASED FOR PUBLICATION  
 © COPYRIGHT - By - ALL RIGHTS RESERVED.

LOC	DIST	REVISIONS			
P	LTR	DESCRIPTION	DATE	DWN	APVD
AF	50	B2	REL PER ECO 12-013167	18JUL12	JR PD



- 1 FASTON TAB BASE #1742150, ARE USED IN THIS PRODUCT.
- 2 WIRE SIZE IS #18-#14 AWG.
- 3 INSULATION RANGE IS .130-.180 DIA
- 4 MATES WITH A .250 X .032 RECEPTACLE



6/6 NYLON, NATURAL	HOUSING: MATERIAL	082 BRASS , TIN PLATE	521747-2
		082 BRASS , PLAIN	521747-1
HOUSING: MATERIAL		TERMINAL: MATERIAL & FINISH	PART NO.

THIS DRAWING IS A CONTROLLED DOCUMENT.		DWN	07JUL04		TE Connectivity											
DIMENSIONS: INCHES		CHK	07JUL04													
TOLERANCES UNLESS OTHERWISE SPECIFIED:		APVD	07JUL04													
<table border="1"> <tr><td>0 PLC</td><td>± -</td></tr> <tr><td>1 PLC</td><td>± -</td></tr> <tr><td>2 PLC</td><td>± .010</td></tr> <tr><td>3 PLC</td><td>± -</td></tr> <tr><td>4 PLC</td><td>± -</td></tr> <tr><td>ANGLES</td><td>± -</td></tr> </table>		0 PLC	± -			1 PLC	± -	2 PLC	± .010	3 PLC	± -	4 PLC	± -	ANGLES	± -	NAME
0 PLC	± -															
1 PLC	± -															
2 PLC	± .010															
3 PLC	± -															
4 PLC	± -															
ANGLES	± -															
MATERIAL	SEE TABLE	PRODUCT SPEC	108-1285		SIZE	CAGE CODE	DRAWING NO	RESTRICTED TO								
FINISH	SEE TABLE	APPLICATION SPEC	114-2124		A2	00779	C=521747	-								
		WEIGHT	-		CUSTOMER DRAWING		SCALE	SHEET	REV							
						5:1		1 of 1	B2							

521747

单击下面可查看定价，库存，交付和生命周期等信息

[>>TE Connectivity\(泰科\)](#)