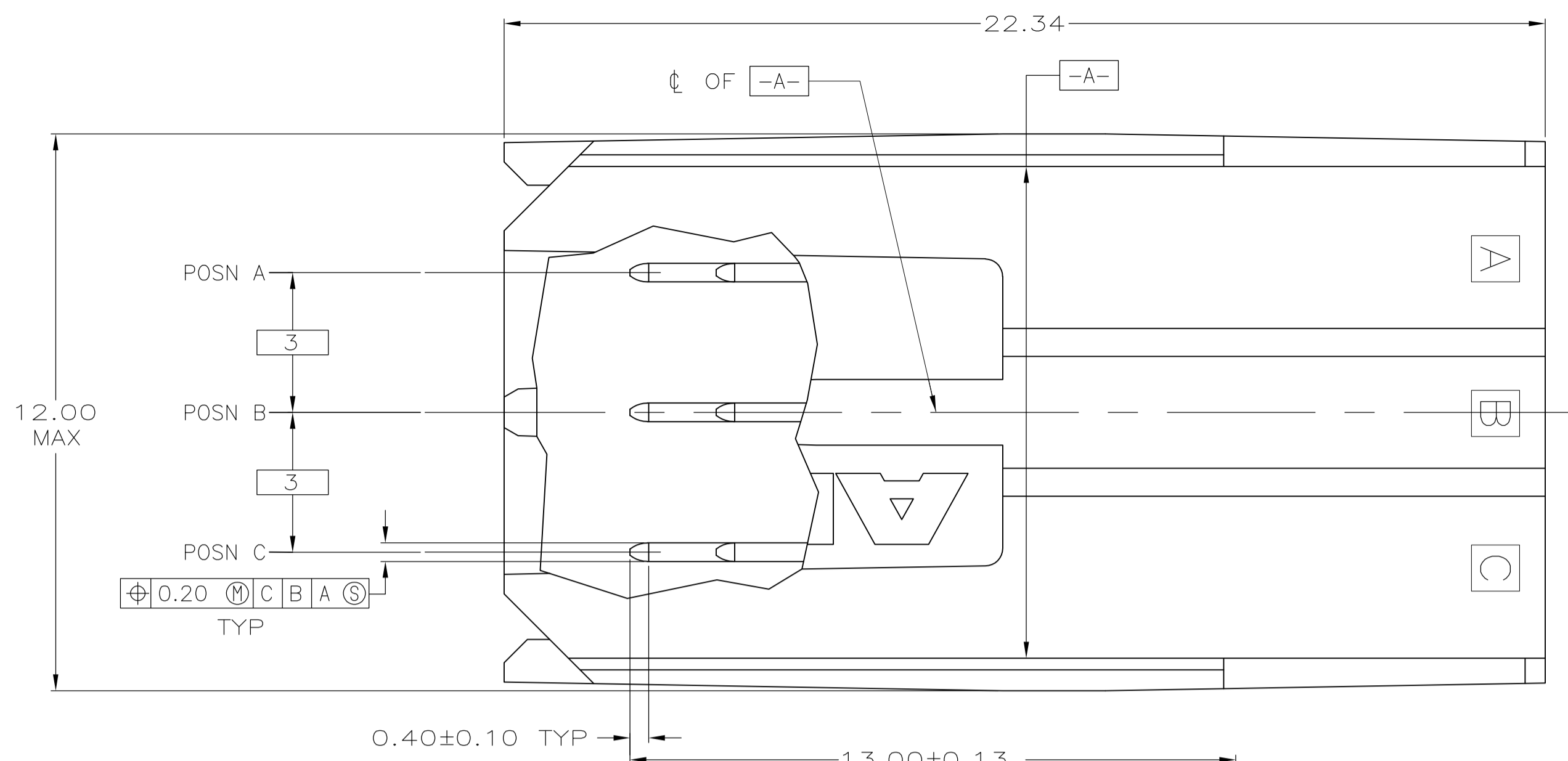
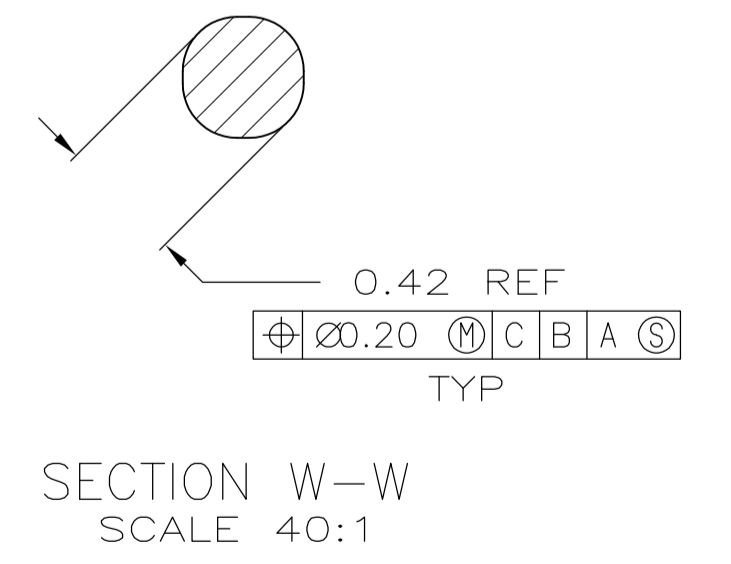
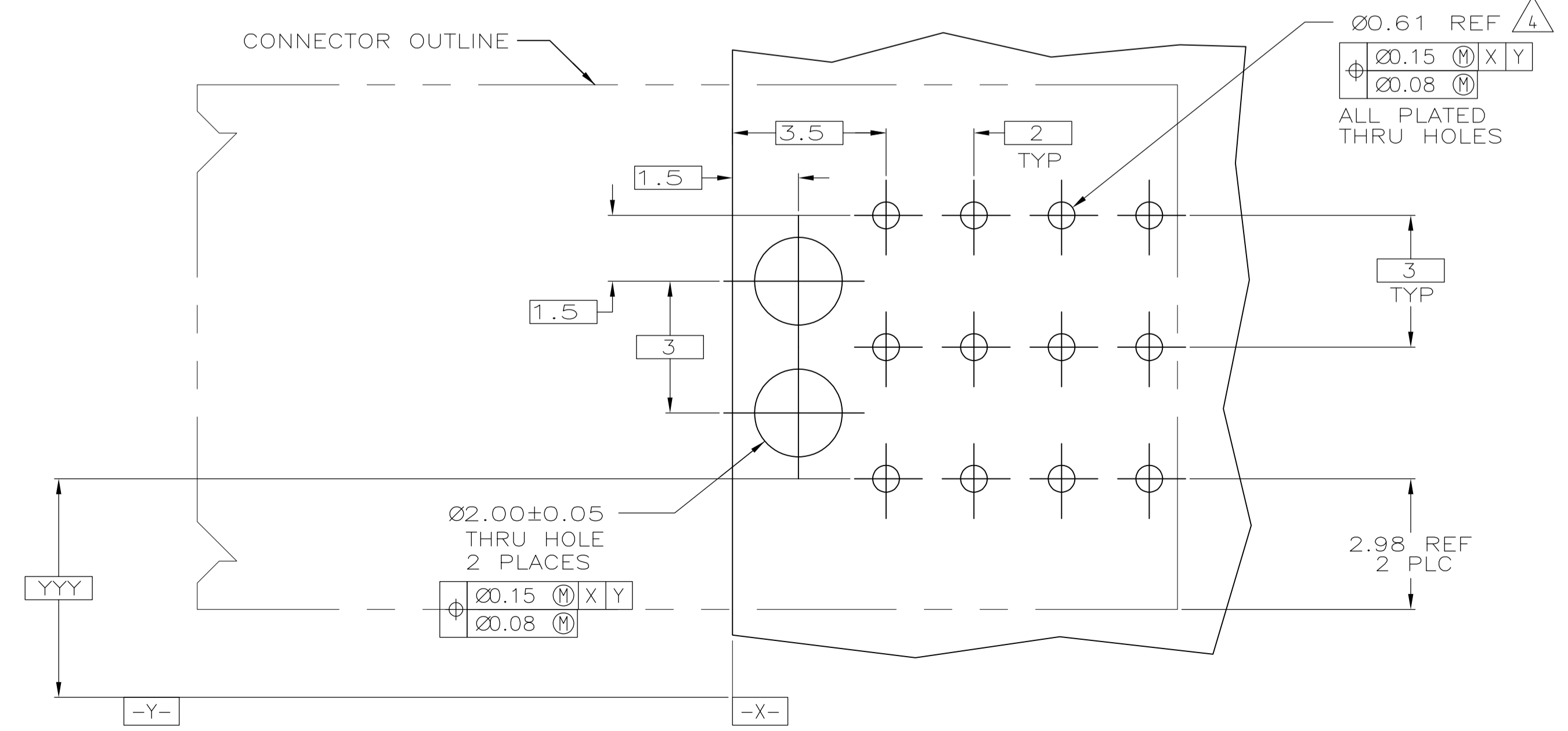
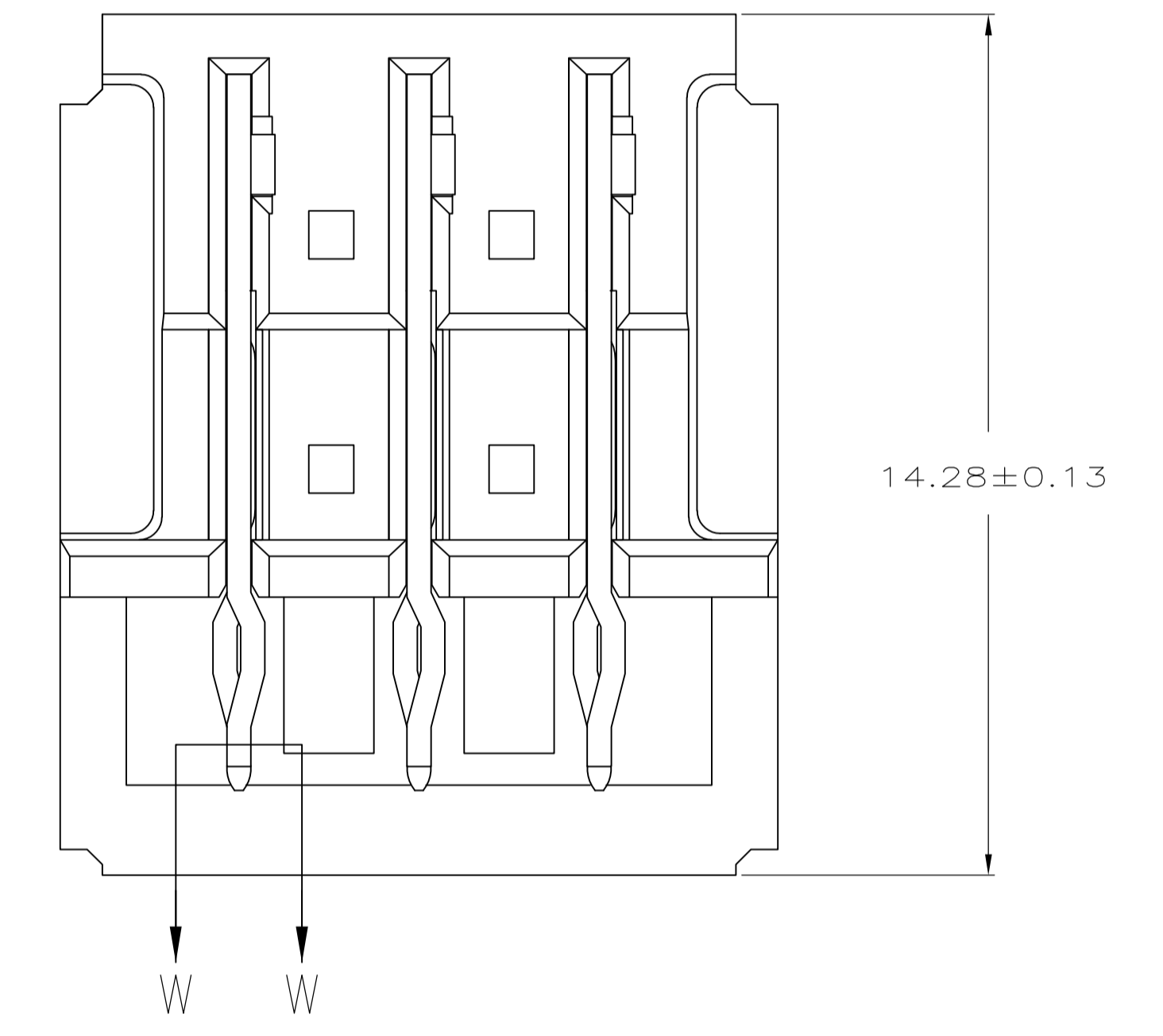
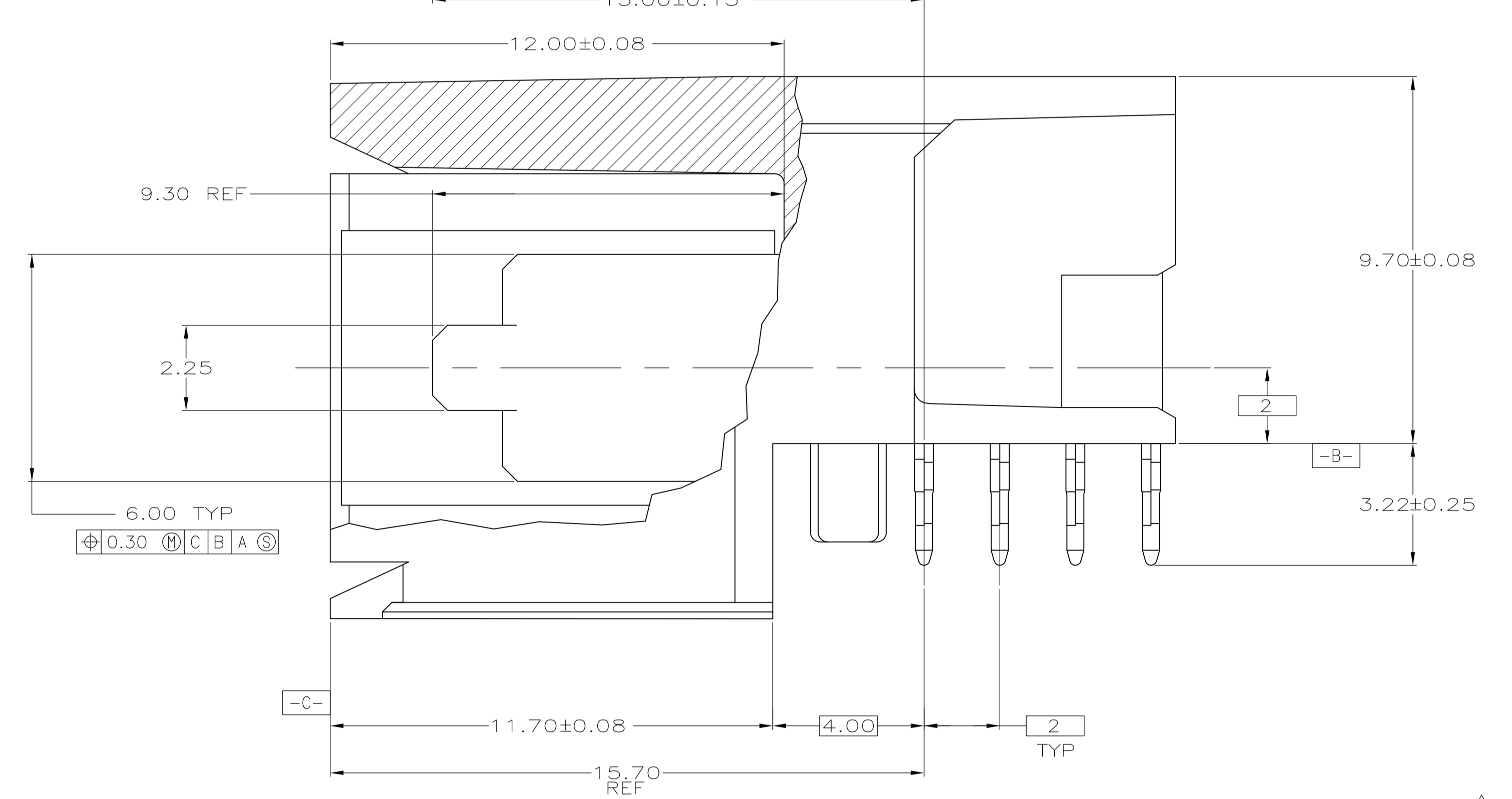
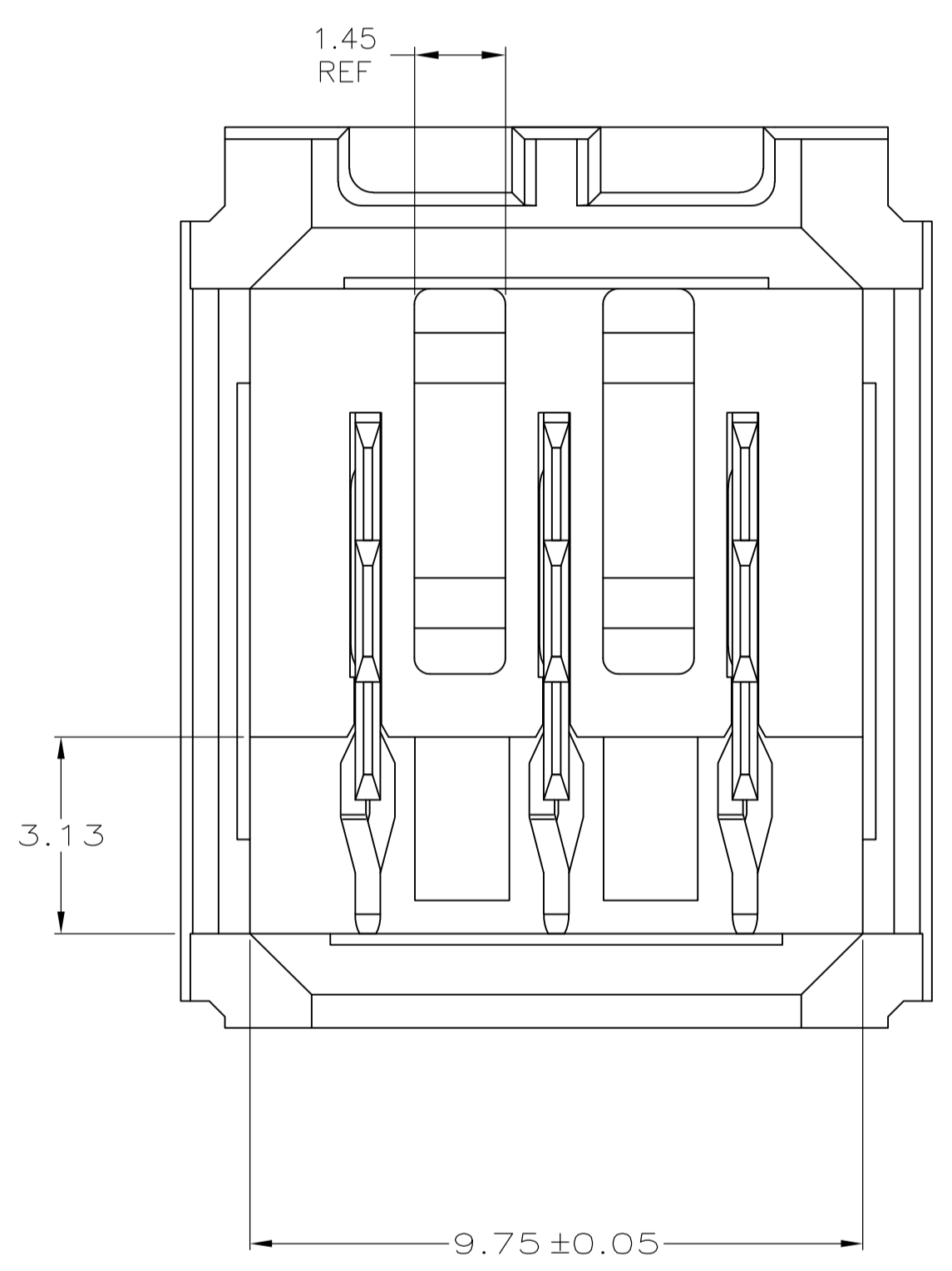


REVISED PER		ECO-11-000045	DATE	DMN	APVD
F			04JAN11	DH	DY



- 1 MATERIAL: HOUSING: POLYESTER. COLOR: GREY. UL 94V-0. CONTACT: PHOSPHOR BRONZE.
- 2 FINISH: CONTACT MATING AREA: 1.27 μm MIN GOLD OR 0.08 μm MIN GOLD OVER 0.76 μm MIN PALLADIUM-NICKEL. ACTION PIN AREA: 0.5 μm MIN TIN LEAD PLATE, ALL OVER 1.27 μm MIN NICKEL UNDERPLATE.
- 3 FINISH: CONTACT LUBRICATION WITH BELLCORE APPROVED LUBRICANT. TECHNICAL REFERENCE: TR-NWT-001217 ISSUE 1, SEPT 1992.
- 4 REFERENCE APPLICATION SPEC 114-1103 FOR RECOMMENDED PLATED THRU HOLE DIAMETER AND PLATING THICKNESSES.
- 5 CURRENT RATING 10A/CONTACT PER PRODUCT SPEC 108-1651.



223993-1  
PART NUMBER

THIS DRAWING IS A CONTROLLED DOCUMENT.		DIN DK SCHRUM 17JUN99	Tyco Electronics Corporation
DIMENSIONS: mm		CHK RA PATTERSON 18JUN99	Harrisburg, PA 17105-3608
TOLERANCES UNLESS OTHERWISE SPECIFIED:		APPD RA PATTERSON 18JUN99	NAME
0 PLC ± -		ASSEMBLY, RIGHT ANGLE HEADER, W/ RETENTION PEGS, UNIVERSAL POWER MODULE	
1 PLC ± -		SIZE	CAGE CODE DRAWING NO
2 PLC ± 0.13		WEIGHT	A1 00779 C=223993
3 PLC ± -		CUSTOMER DRAWING	SCALE 10:1 SHEET 1 OF 1 REV F
4 PLC ± -			
ANGLES ± -			

单击下面可查看定价，库存，交付和生命周期等信息

[>>TE Connectivity\(泰科\)](#)