

THIS DRAWING IS UNPUBLISHED.

RELEASED FOR PUBLICATION

1997

© COPYRIGHT 1997 BY -

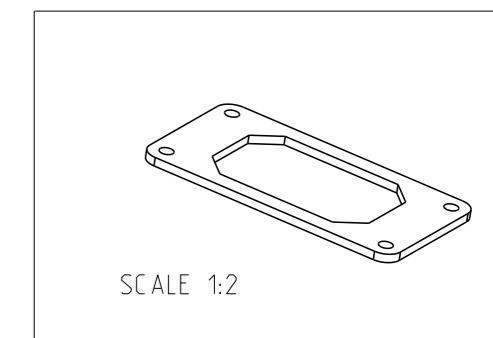
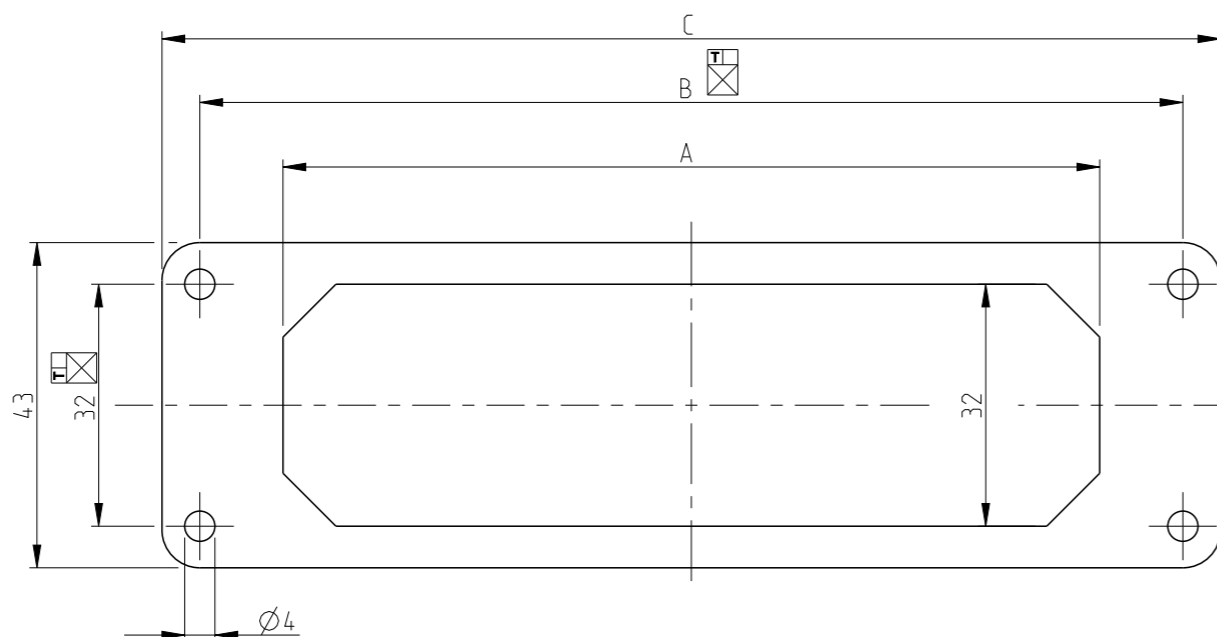
ALL RIGHTS RESERVED.

REVISIONS

P	LTR	DESCRIPTION	DATE	DWN	APVD
	B7	Released as per ECR-08-025177	07.Oct.2008	GG	TS
	B8	REVISED PER ECR-17-014013	05JAN2018	SRG	MKO

NOTES

1. PACKAGING 50 PIECES IN A BOX



OB	OB	OB	OB																
1	1	1	1																
-	-	-	-	-	-	-	-	-	-	-	-	-	-	-	-	-	-	-	-
-	-	-	-	-	-	-	-	-	-	-	-	-	-	-	-	-	-	-	-
-	-	-	-	-	-	-	-	-	-	-	-	-	-	-	-	-	-	-	-
-	-	-	-	1	-	-	-	-	-	-	-	-	-	-	-	-	-	-	-
-	-	-	-	-	1	-	-	-	-	-	-	-	-	-	-	-	-	-	-
-	-	-	-	-	-	1	-	-	-	-	-	-	-	-	-	-	-	-	-
-	-	-	-	-	-	-	1	-	-	-	-	-	-	-	-	-	-	-	-
-	-	-	-	-	-	-	-	1	-	-	-	-	-	-	-	-	-	-	-
1-3	1-2	1-1	1-0	0-9	0-4	0-3	0-2	0-1											
HB.24.D-2mm	HB.24.D.V	HB.16.D.V	HB.10.D.V	HB.6.D.V	HB.24.D	HB.16.D	HB.10.D	HB.6.D											
									DESCRIPTION	MATERIAL	COLOR	POS	NOTES	A	B	C			
									Flange gasket HB.24	Neoprene	Black	9	2.0 mm Thick	108	130	140			
									Flange gasket HB.24	Viton compound	Black	8	3.0 mm Thick	108	130	140			
									Flange gasket HB.16	Viton compound	Black	7	3.0 mm Thick	81	103	113			
									Flange gasket HB.10	Viton compound	Black	6	3.0 mm Thick	63	83	93			
									Flange gasket HB.6	Viton compound	Black	5	3.0 mm Thick	50	70	80			
									Flange gasket HB.24	Cell India rubber"B"	Black	4	2.5 mm Thick,on one side self adhesive	108	130	140			
									Flange gasket HB.16	Cell India rubber"B"	Black	3	2.5 mm Thick,on one side self adhesive	81	103	113			
									Flange gasket HB.10	Cell India rubber"B"	Black	2	2.5 mm Thick,on one side self adhesive	63	83	93			
									Flange gasket HB.6	Cell India rubber"B"	Black	1	2.5 mm Thick,on one side self adhesive	50	70	80			

THIS DRAWING IS A CONTROLLED DOCUMENT.

DWN Schneider 11.01.1999

CHK Schweiger 11.01.1999

APVD -

PRODUCT SPEC -

APPLICATION SPEC -

WEIGHT -

CUSTOMER DRAWING



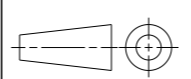
NAME Flange mounted seal HB 6-24

SIZE A3 CAGE CODE 00779 DRAWING NO C-1106352 RESTRICTED TO -

SCALE 1:2 SHEET 1 OF 1 REV B8

DIMENSIONS:

mm



MATERIAL material_2

TOLERANCES UNLESS OTHERWISE SPECIFIED:

0 PLC	±
1 PLC	±
2 PLC	±
3 PLC	±
4 PLC	±
ANGLES	±

FINISH finish_spec_2

单击下面可查看定价，库存，交付和生命周期等信息

[>>TE Connectivity\(泰科\)](#)