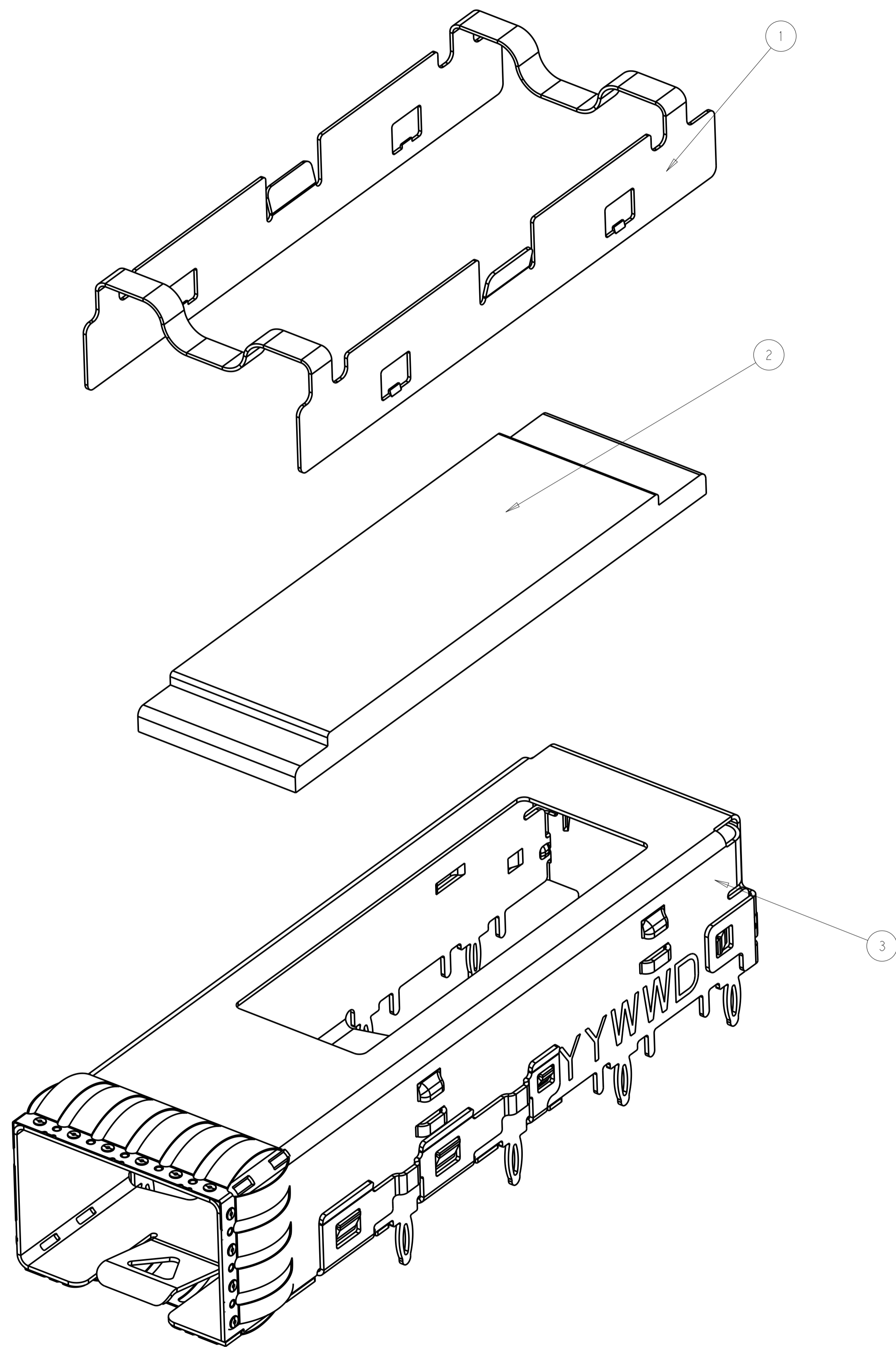


LOC	DIST	REVISIONS					
		P	LTN	DESCRIPTION	DATE	DWN	APVD
GP	00	A		INITIAL RELEASE	03NOV2016	AJ	SH



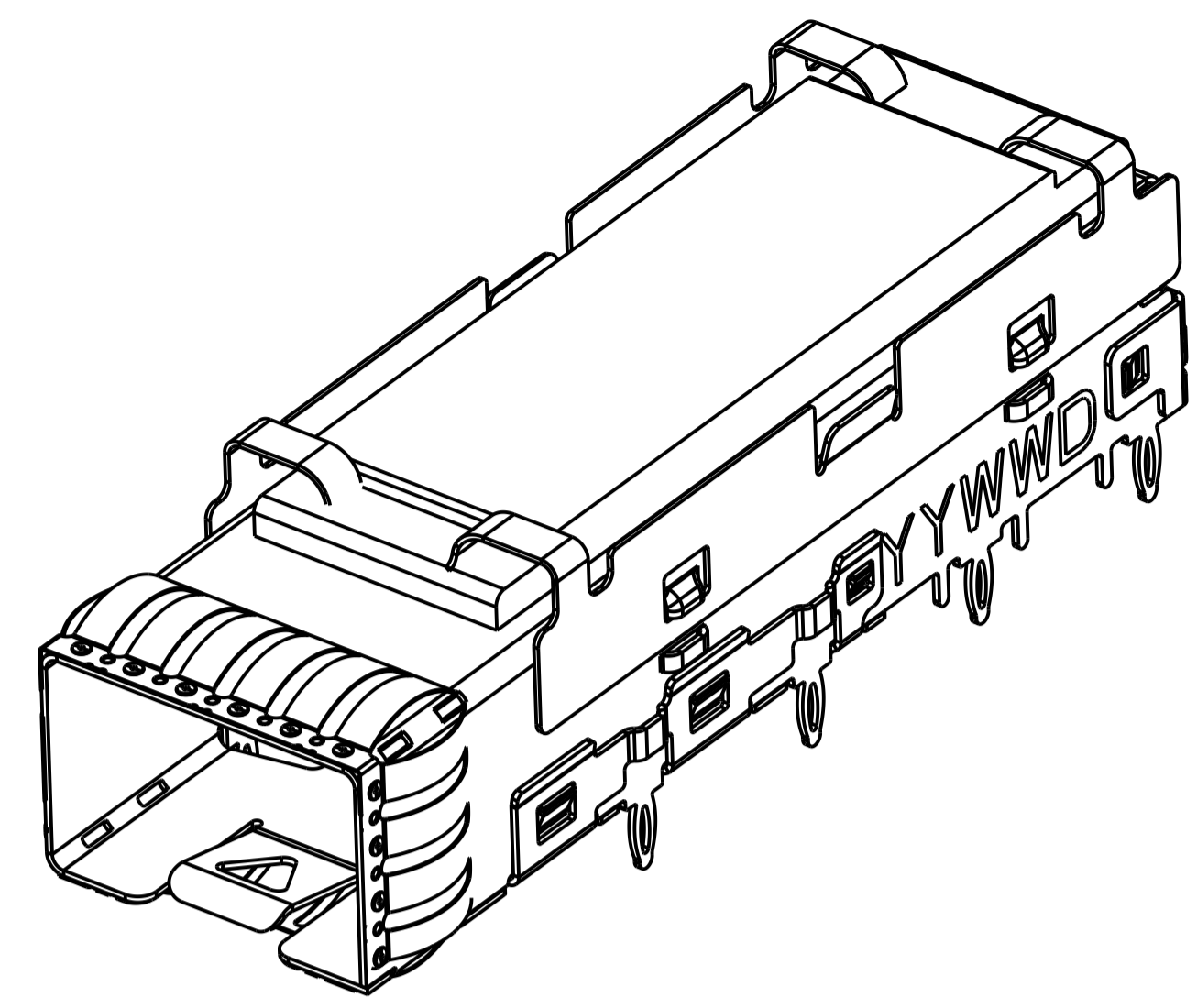
- 1 MATERIAL:
 CAGE ASSEMBLY: 0.25mm THICK NICKEL SILVER ALLOY.
 EMI SPRINGS: COPPER ALLOY.
 CLIP: STAINLESS STEEL 0.20mm THICK.
 HEAT SINK: ALUMINUM.
- 2 FINISH
 EMI SPRINGS: 0.8um MIN NICKEL, NON-PLATED EDGES PERMISSIBLE.
 HEAT SINK: ELECTROLESS NICKEL.
- 3. MATES WITH SFP MSA COMPLIANT TRANSCEIVERS.
- 4 PADS AND VIAS CHASSIS GROUND.
- 5 DATUM AND BASIC DIMENSION ESTABLISHED BY CUSTOMER.
- 6 MINIMUM PC BOARD THICKNESS:
 SINGLE SIDED = 1.50 mm
 DOUBLE SIDED = 3.00 mm
- 7 REFERENCE APPLICATION SPEC. 114-13120, HOLE A, FOR
 RECOMMENDED DRILL HOLE DIAMETER AND PLATING THICKNESS.
- 8 REFERENCE APPLICATION SPEC. 114-13120, HOLE C, FOR
 RECOMMENDED DRILL HOLE DIAMETER AND PLATING THICKNESS.
- 9. CAGE ASSEMBLY, HEAT SINK AND CLIP SHOULD BE SHIPPED ASSEMBLED.

2299056-1
 EXPLODING VIEW
 SCALE 6:1

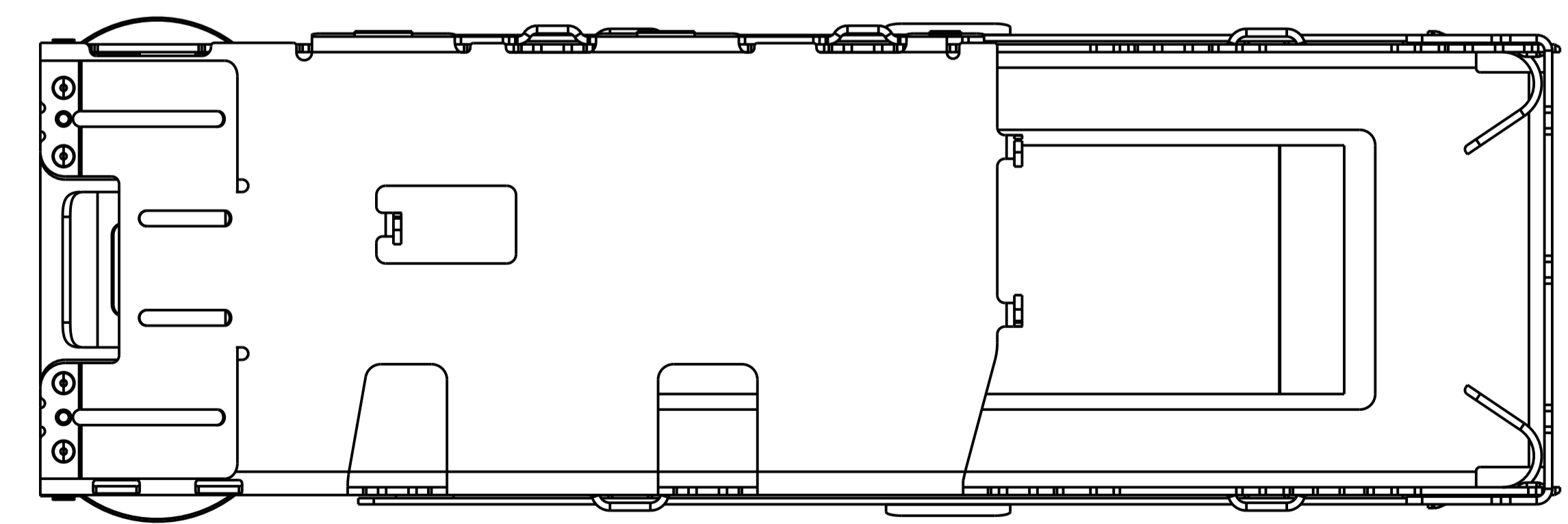
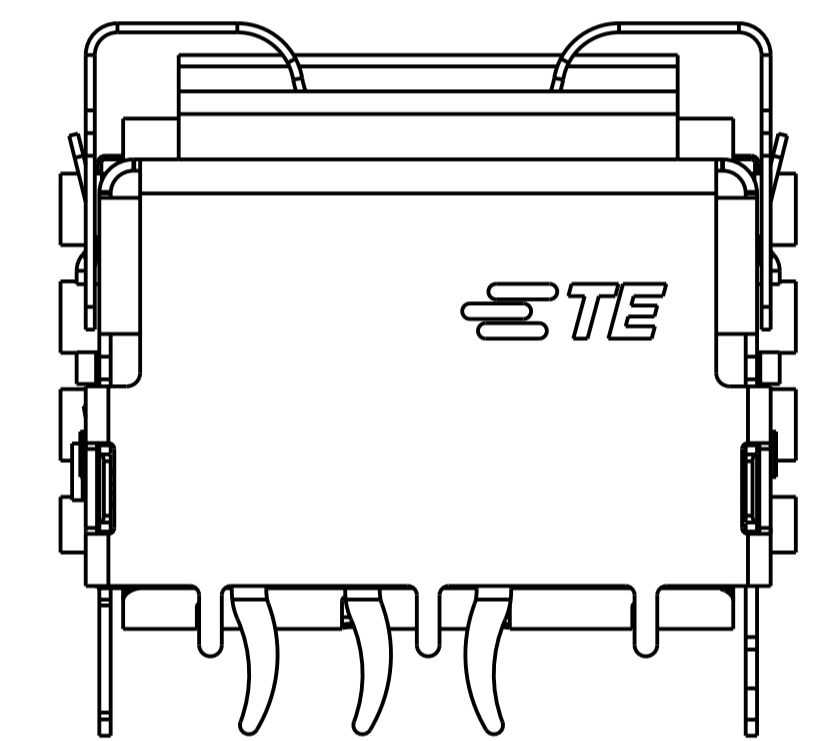
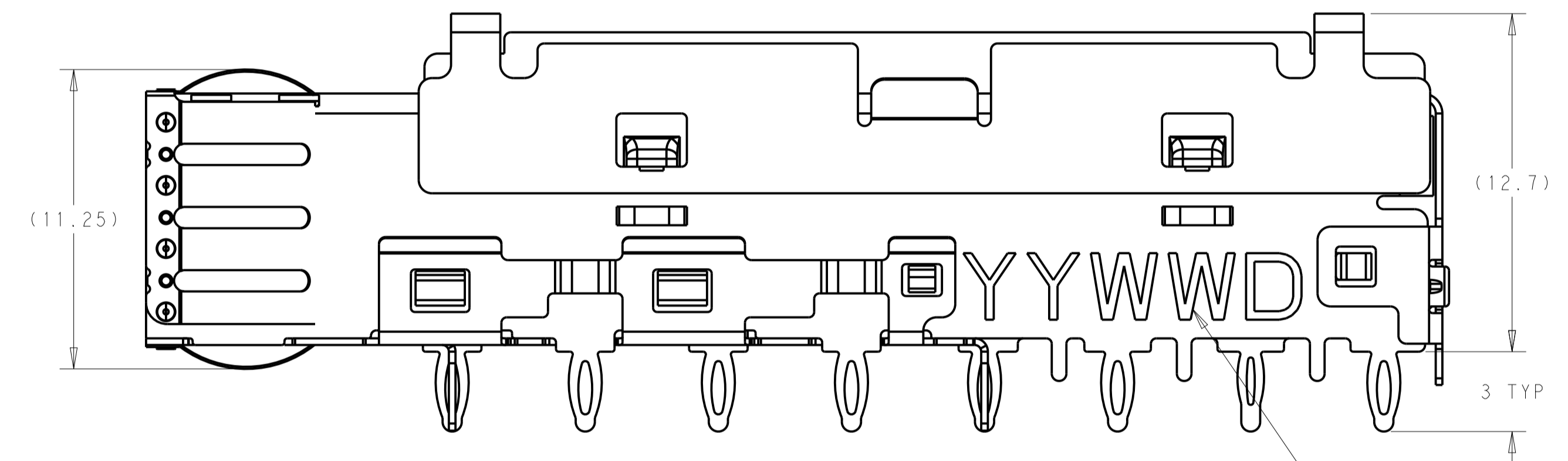
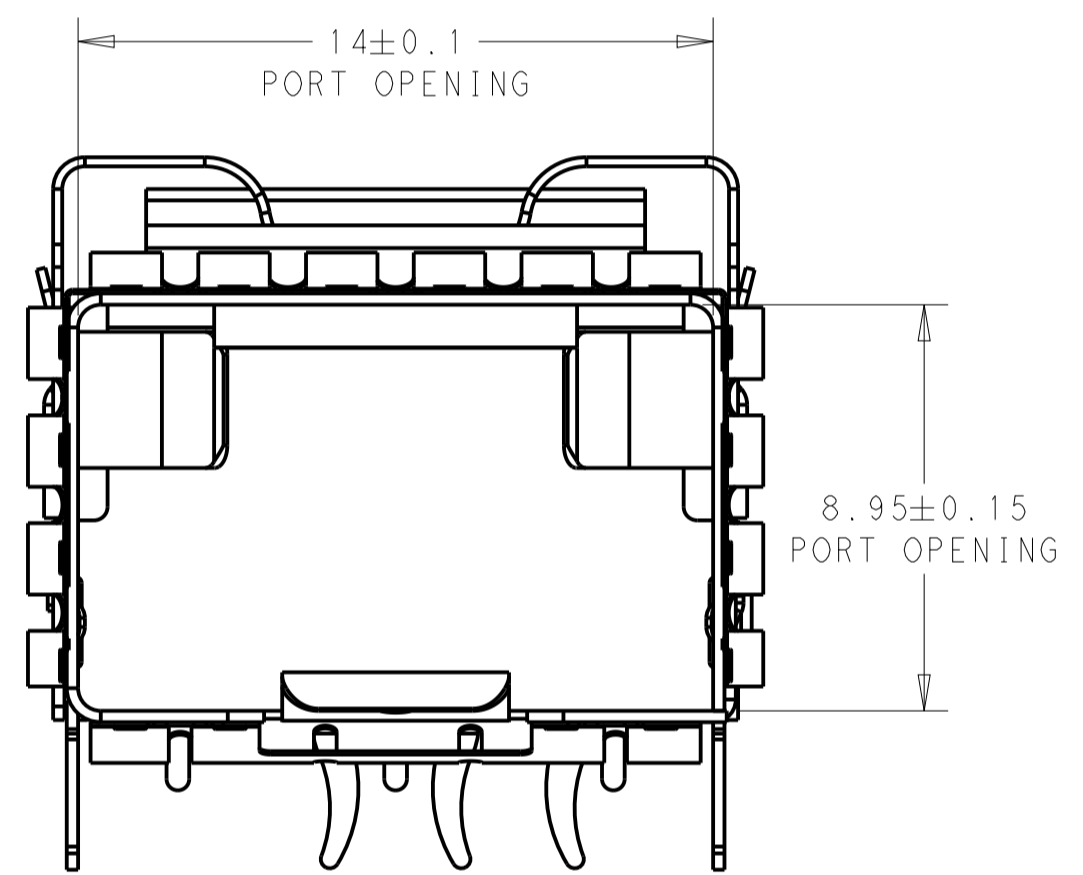
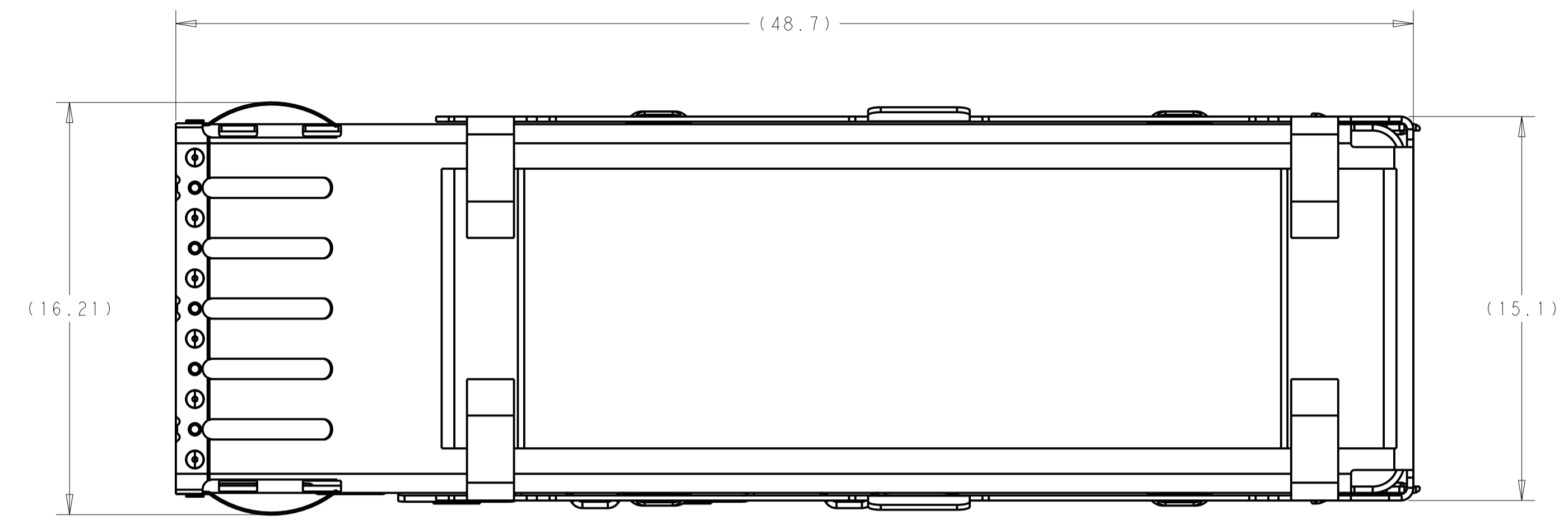
1	2170680-2	CAGE ASSEMBLY	3
1	2170575-5	HEAT SINK	2
1	2292792-1	HEAT SINK CLIP	1
- 1	PART NUMBER	DESCRIPTION	ITEM NO.

THIS DRAWING IS A CONTROLLED DOCUMENT.		OWN: ARTHUR JIN 21DEC2015	TE TE Connectivity	
DIMENSIONS: mm		CHK: SEAN HAN 21DEC2015		
TOLERANCES UNLESS OTHERWISE SPECIFIED:		APVD: SEAN HAN 21DEC2015	NAME: SFP+ 1X1 CAGE ASSY AND CONNECTOR PRESS-FIT, EMI SPRINGS WITH HEAT SINK	
0 PLC ±0.1		PRODUCT SPEC: 108-2364	SIZE: A1	
1 PLC ±0.1		APPLICATION SPEC: 114-13120	CAGE CODE: 00779	
2 PLC ±0.1		WEIGHT: -	DRAWING NO: 2299056	
3 PLC ±0.05		CUSTOMER DRAWING		
4 PLC ±0.05		SCALE: 2:1		
ANGLES ±0.05		SHEET 1 OF 4		
FINISH: 2		REV: A1		

LOC	DIST	REVISIONS			
		REV	DATE	BY	APPV
GP	00	-	SEE SHEET 1	-	-

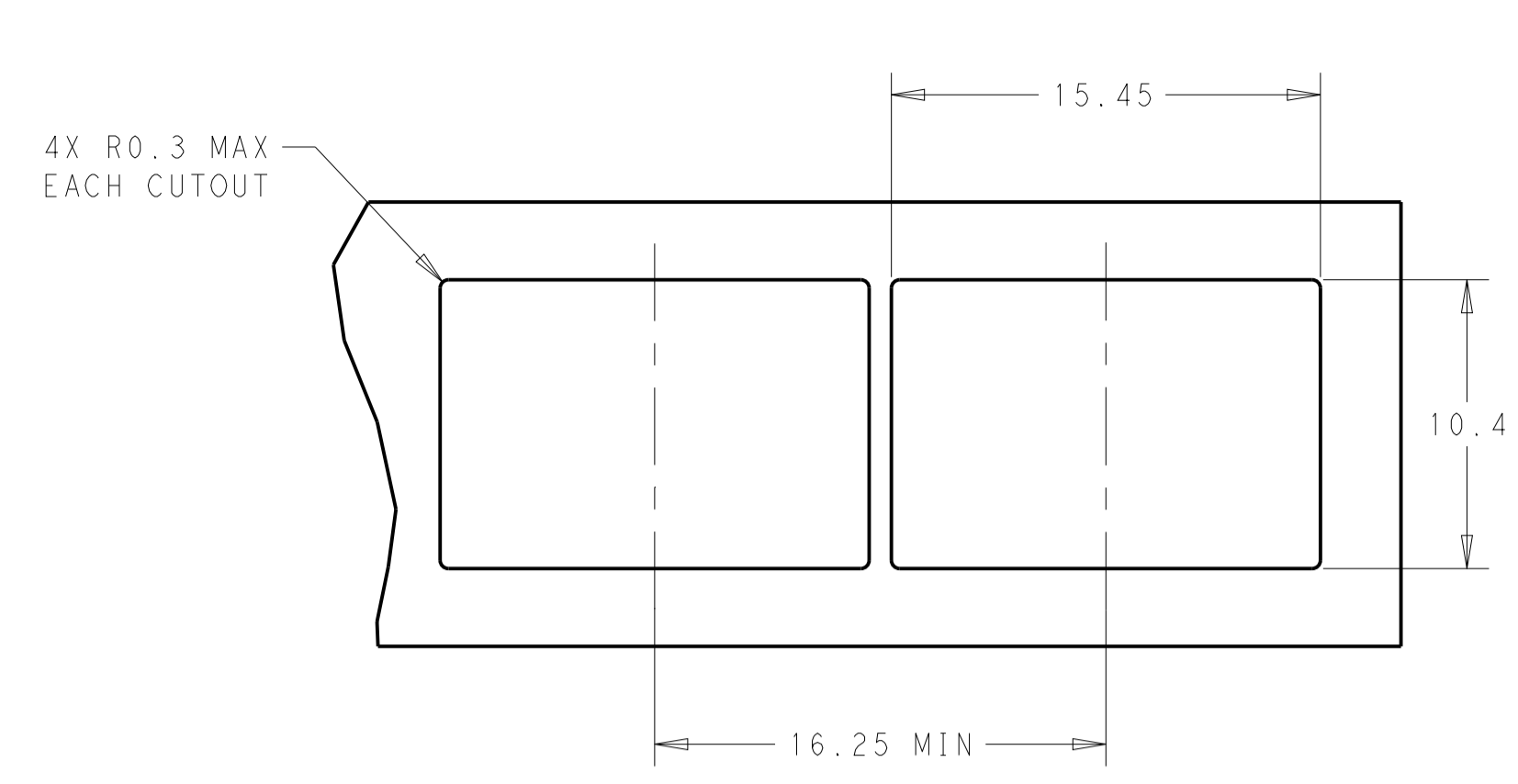


SCALE 4:1

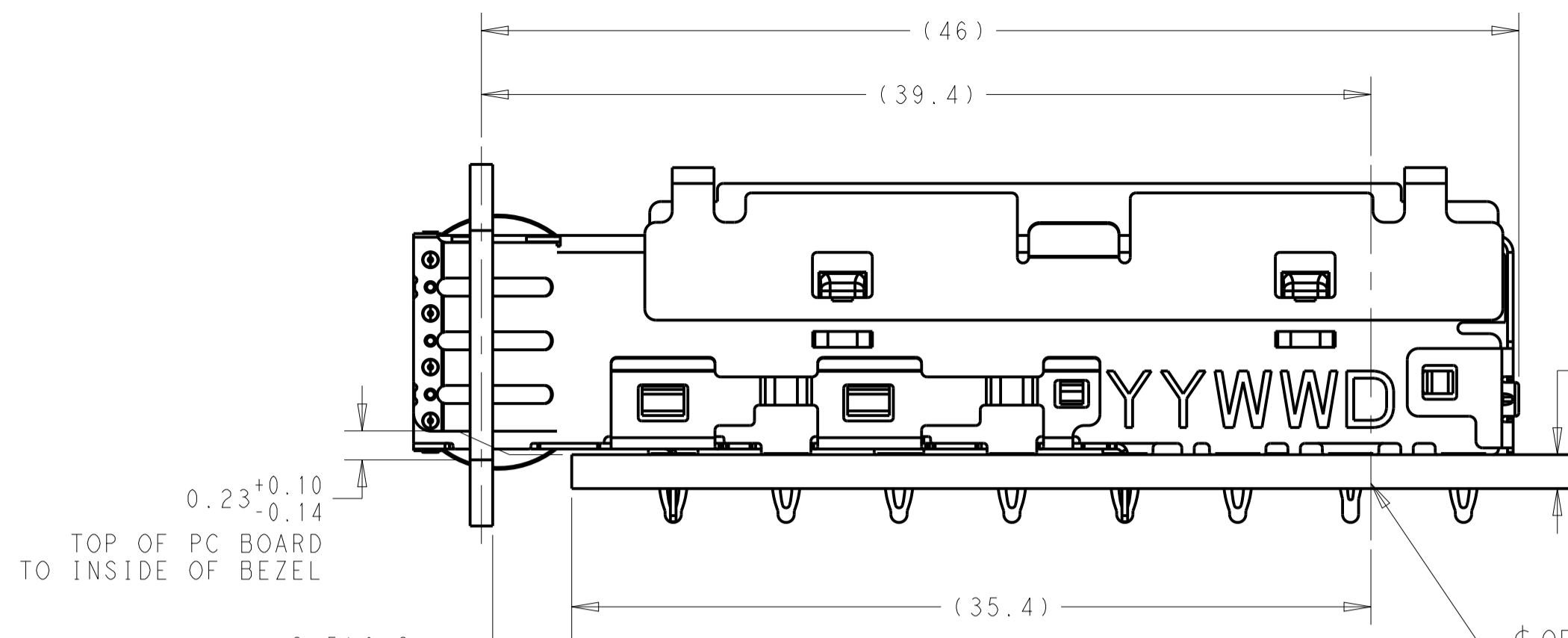


THIS DRAWING IS A CONTROLLED DOCUMENT.		OWN: ARTHUR JIN 21DEC2015	
DIMENSIONS: mm		CHK: SEAN HAN 21DEC2015	
TOLERANCES UNLESS OTHERWISE SPECIFIED:		APVD: SEAN HAN 21DEC2015	
0 PLC ±0.1 1 PLC ±0.1 2 PLC ±0.1 3 PLC ±0.05 4 PLC ±0.05 ANGLES ±0.05		NAME: SFP+ 1X1 CAGE ASSY AND CONNECTOR PRESS-FIT, EMI SPRINGS WITH HEAT SINK PRODUCT SPEC: 108-2364 APPLICATION SPEC: 114-13120 WEIGHT: - MATERIAL: - FINISH: -	
MATERIAL: -		SIZE: A1	CAGE CODE: 2299056 DRAWING NO: 100779 CUSTOMER DRAWING
4805 (3/11)		SCALE: 6:1	SHEET 2 OF 4 REV A1

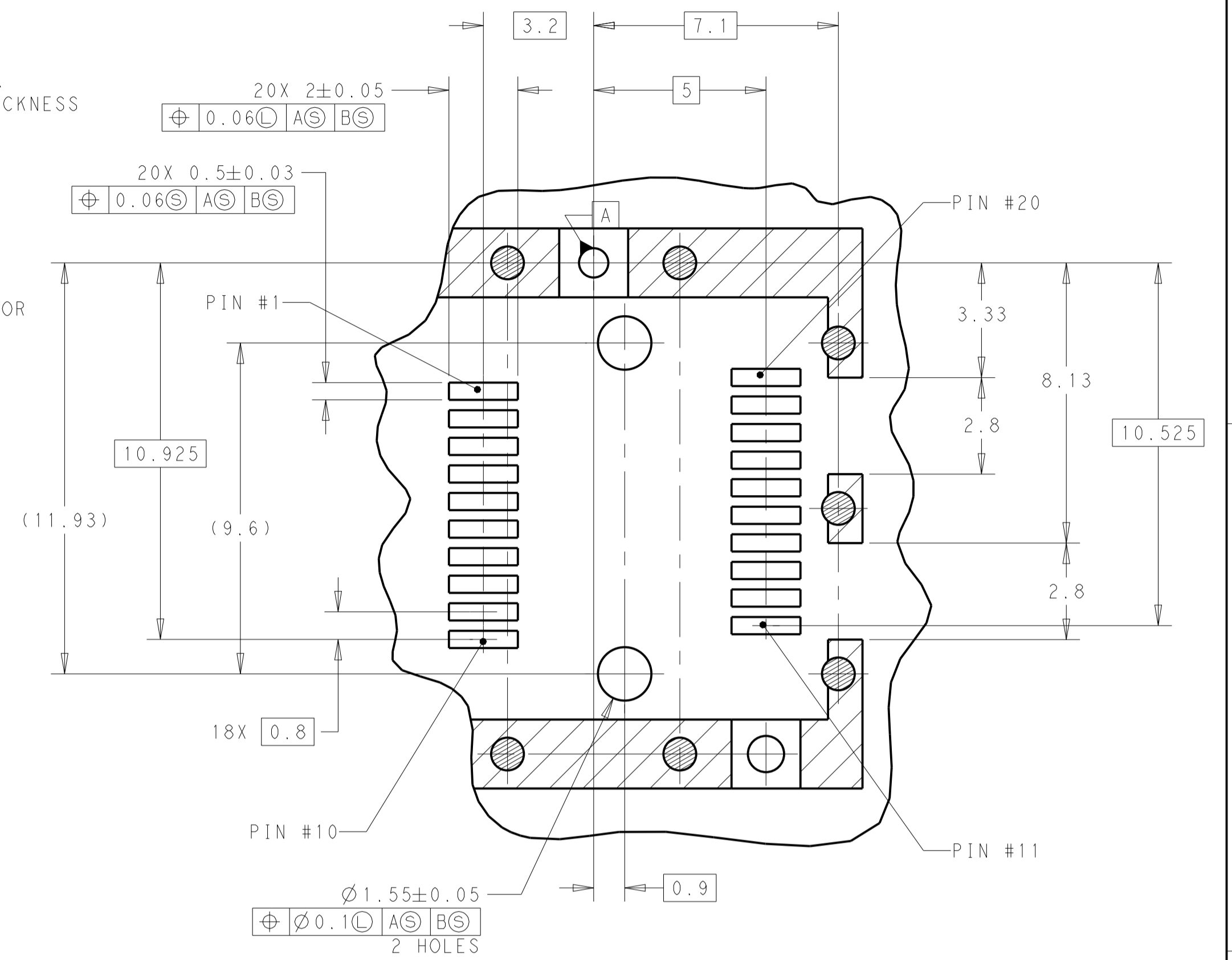
LOC	DIST	REV	DATE	BY	APPV
GP	00				



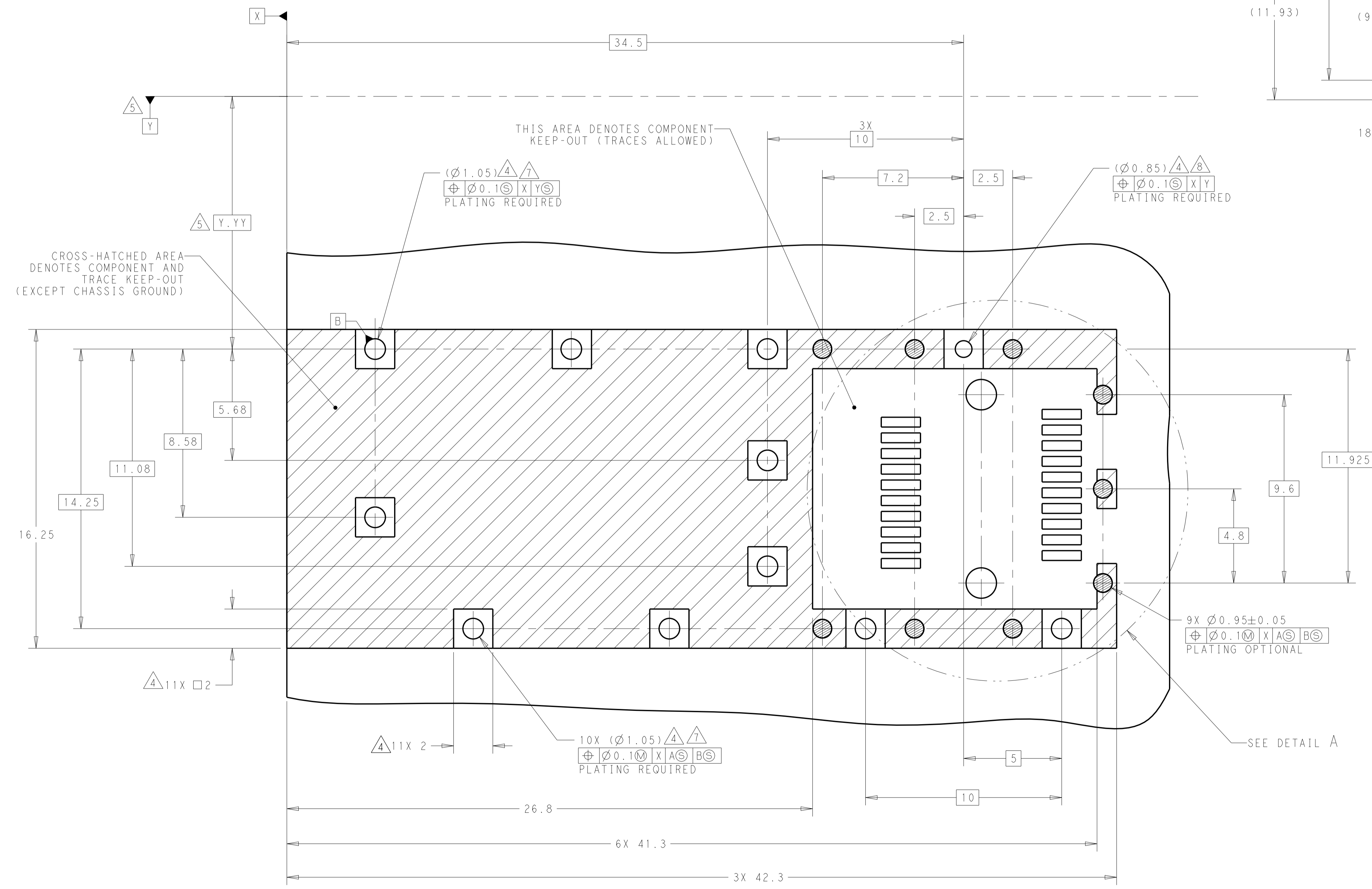
RECOMMENDED BEZEL CUTOUT
SCALE 4:1



RECOMMENDED BEZEL AND
PC BOARD ORIENTATION
SCALE 4:1



DETAIL A
SCALE 8:1

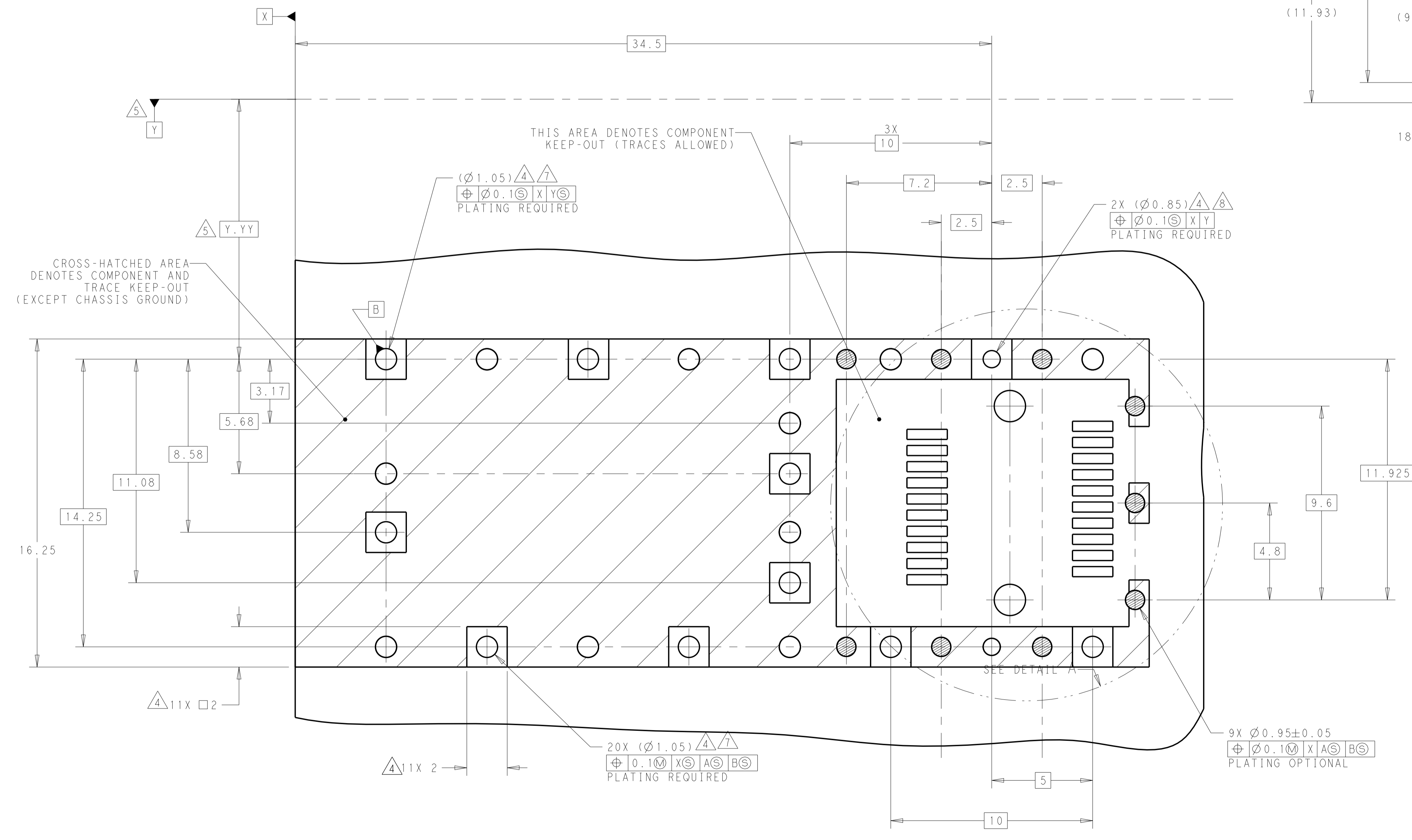
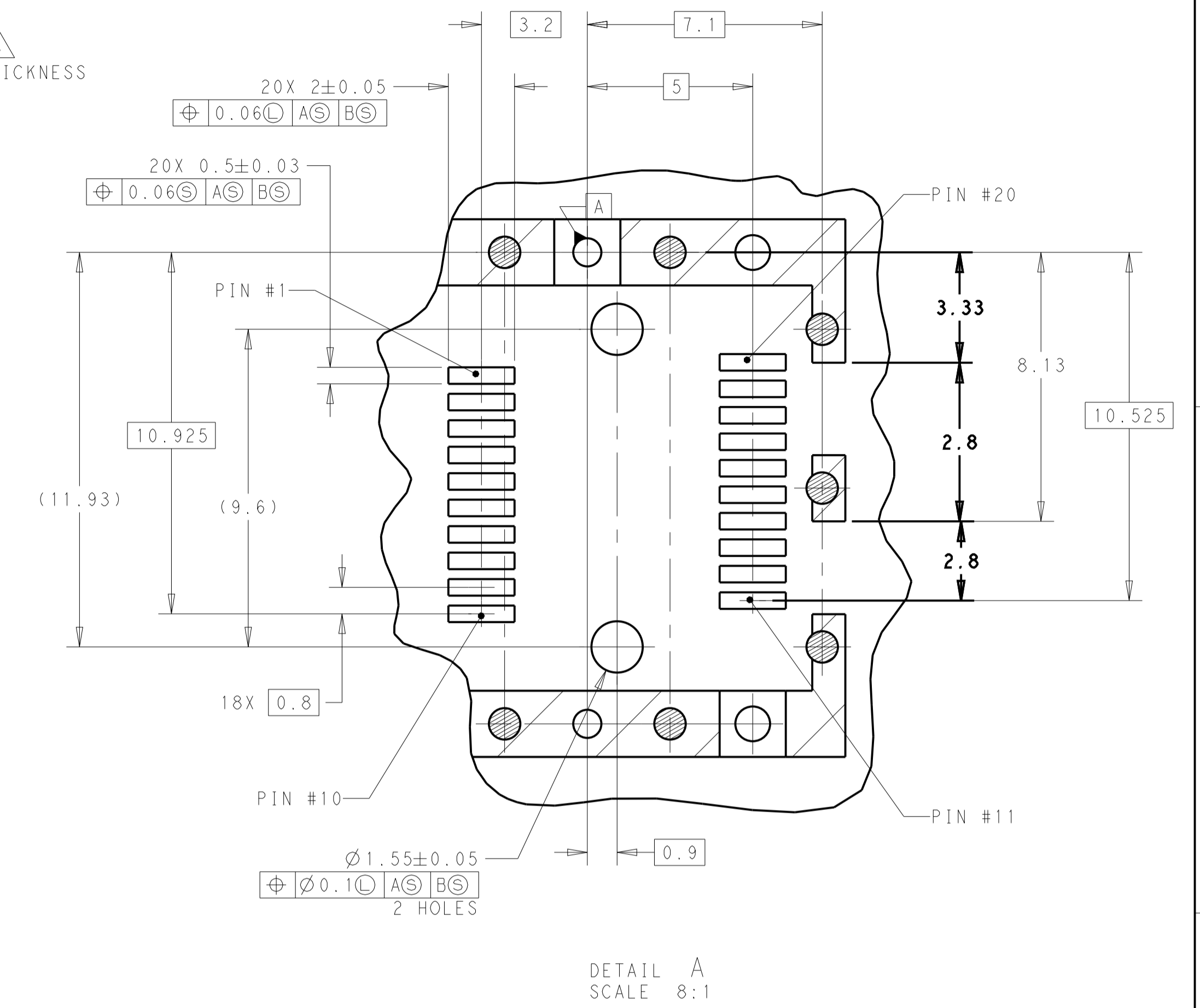
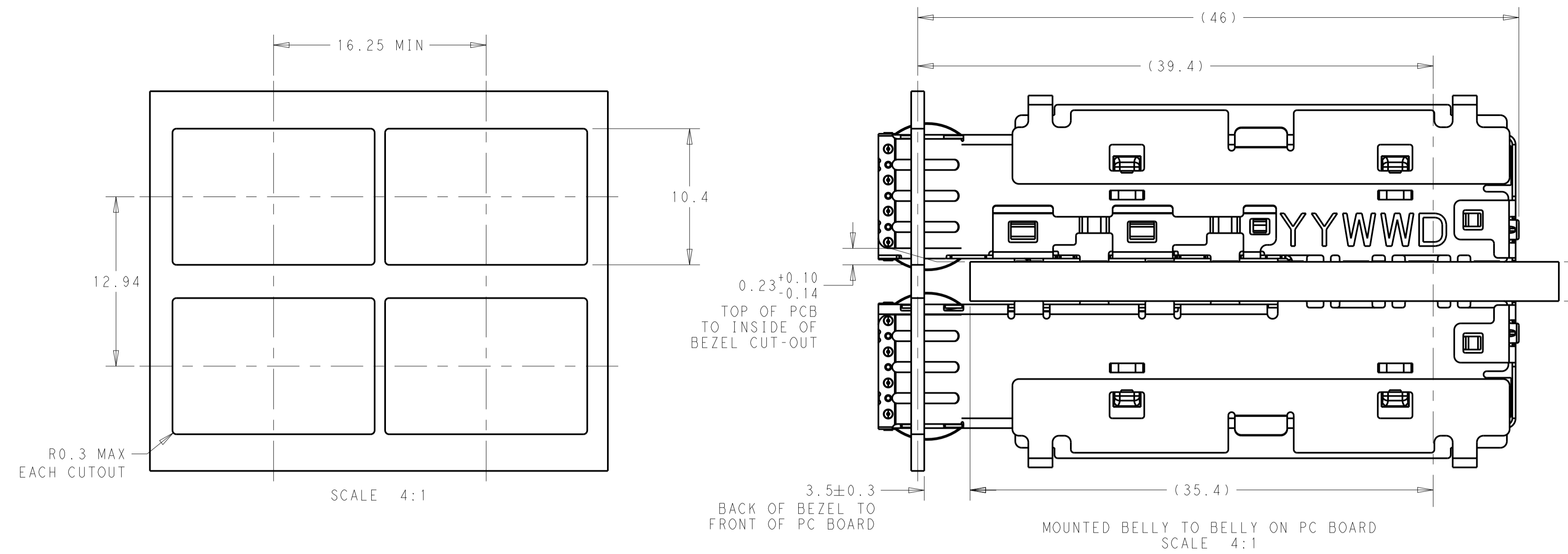


RECOMMENDED PCB LAYOUT
SCALE 8:1

THIS DRAWING IS A CONTROLLED DOCUMENT.		OWN: ARTHUR JIN 21DEC2015	TE Connectivity
DIMENSIONS: mm		CHK: SEAN HAN 21DEC2015	
TOLERANCES UNLESS OTHERWISE SPECIFIED:		APPV: SEAN HAN 21DEC2015	NAME: SFP+ 1X1 CAGE ASSY AND CONNECTOR PRESS-FIT, EMI SPRINGS WITH HEAT SINK
0 PLC	±0.1	PRODUCT SPEC	SIZE: A1
1 PLC	±0.1	108-2364	CAGE CODE: 2299056
2 PLC	±0.1	APPLICATION SPEC	RESTRICTED TO: -
3 PLC	±0.05	114-13120	SCALE: 6:1
4 PLC	±0.05	WEIGHT: -	SHEET: 3 OF 4
ANGLES	±0.05	CUSTOMER DRAWING	REV: A1

LOC	DIST	REV	DATE	APPV
GP	00			

REVISIONS				
REV	DATE	APPV	DESCRIPTION	DATE
-	-	-	SEE SHEET 1	-



THIS DRAWING IS A CONTROLLED DOCUMENT.		OWN: ARTHUR JIN 21DEC2015	TE Connectivity
DIMENSIONS: mm		CHK: SEAN HAN 21DEC2015	
TOLERANCES UNLESS OTHERWISE SPECIFIED:		APPV: SEAN HAN 21DEC2015	NAME: SFP+ 1X1 CAGE ASSY AND CONNECTOR PRESS-FIT, EMI SPRINGS WITH HEAT SINK PRODUCT SPEC: 108-2364 APPLICATION SPEC: 114-13120
0 PLC ±0.1 1 PLC ±0.1 2 PLC ±0.1 3 PLC ±0.05 4 PLC ±0.05		SIZE: A1 CAGE CODE: 00779 DRAWING NO: C=2299056	
MATERIAL: FINISH:		WEIGHT:	RESTRICTED TO:
CUSTOMER DRAWING		SCALE: 6:1	SHEET 4 OF 4 REV A1

单击下面可查看定价，库存，交付和生命周期等信息

[>>TE Connectivity\(泰科\)](#)