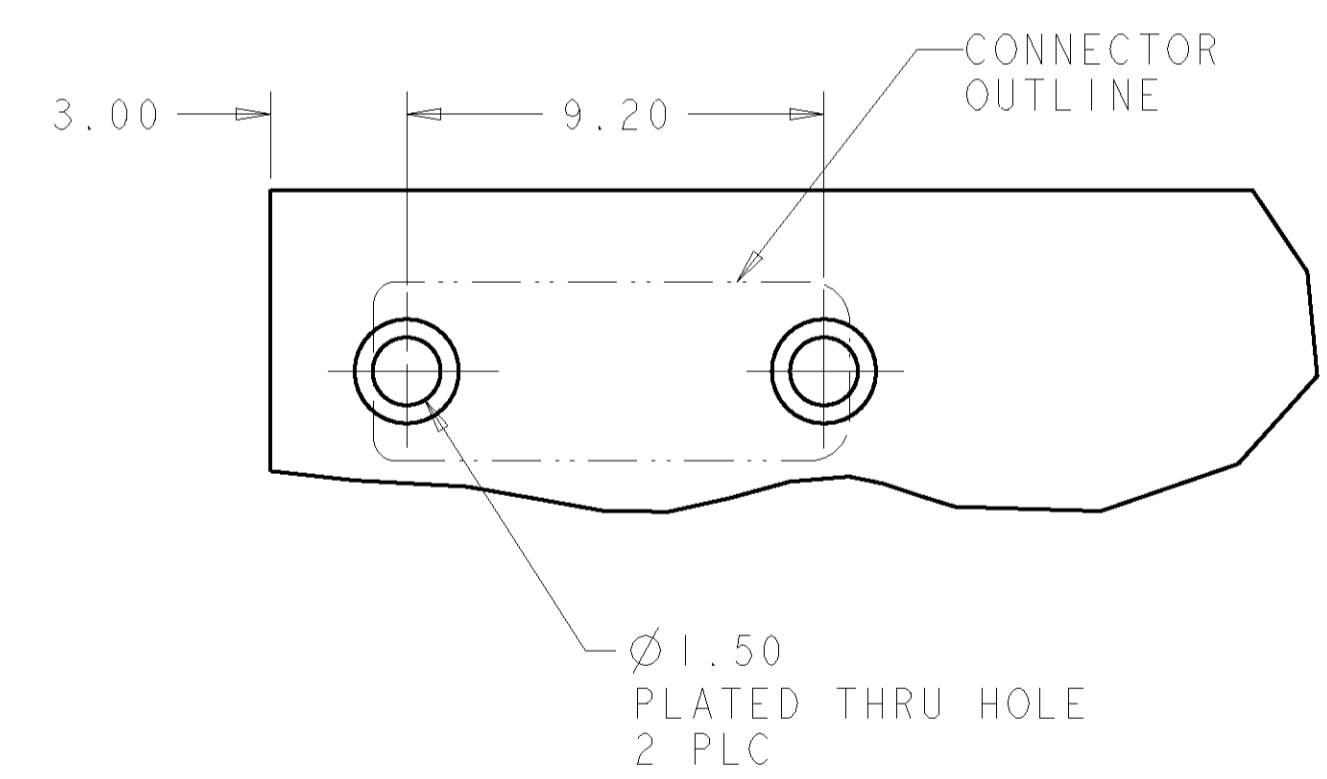
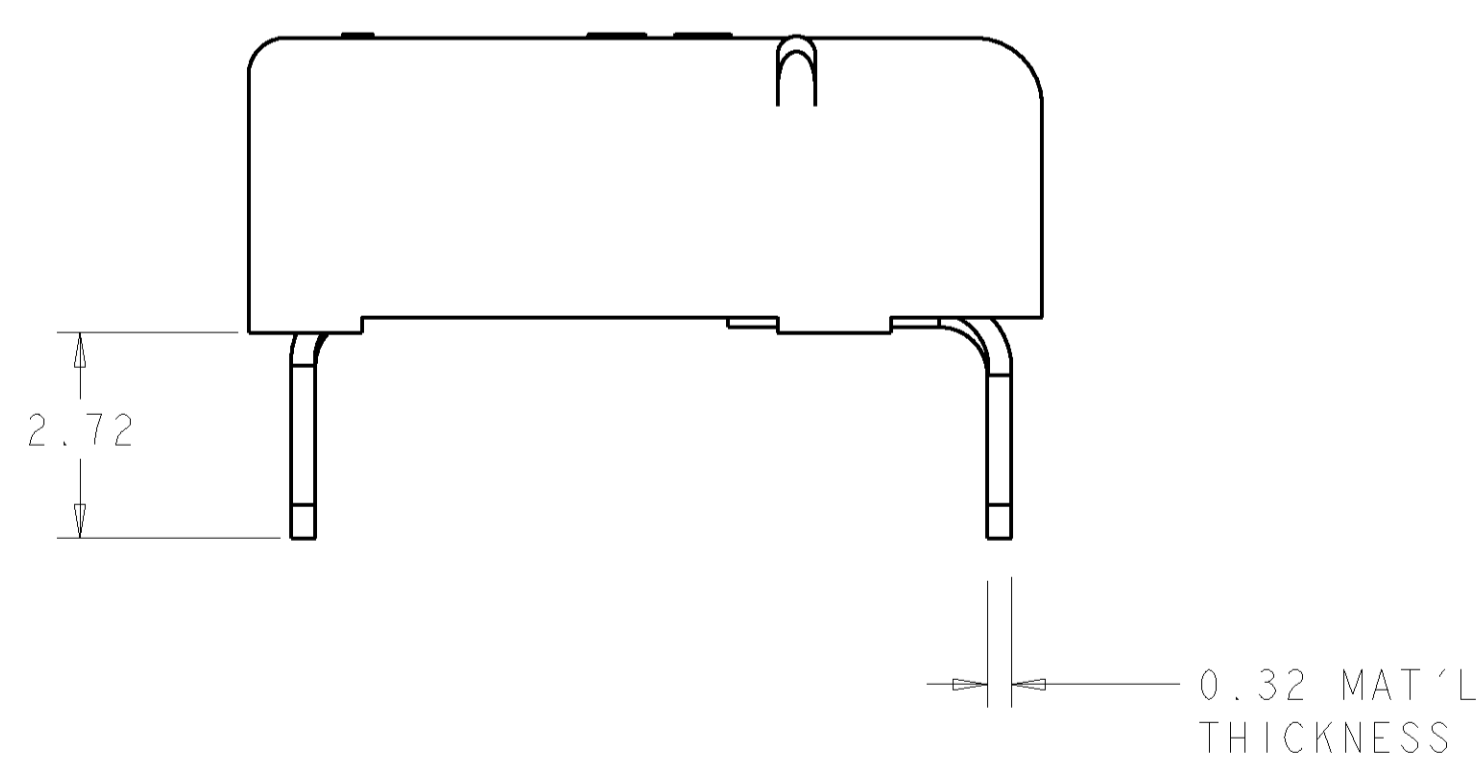
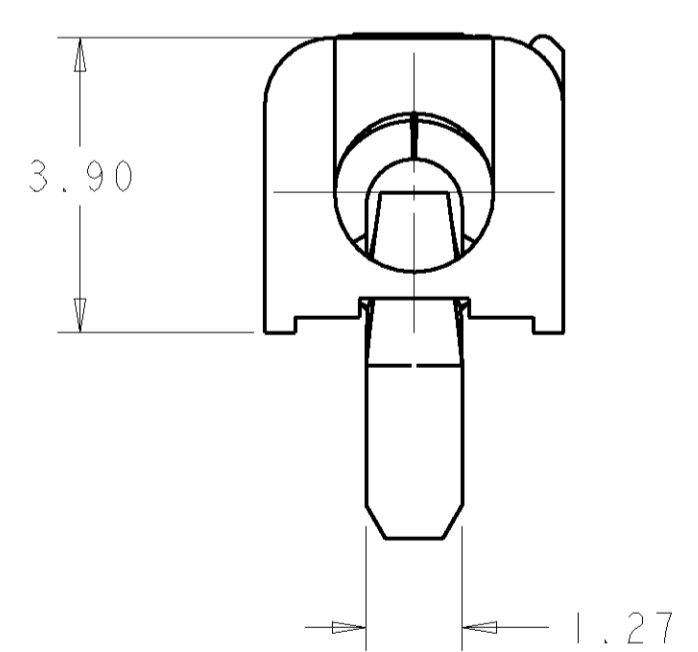
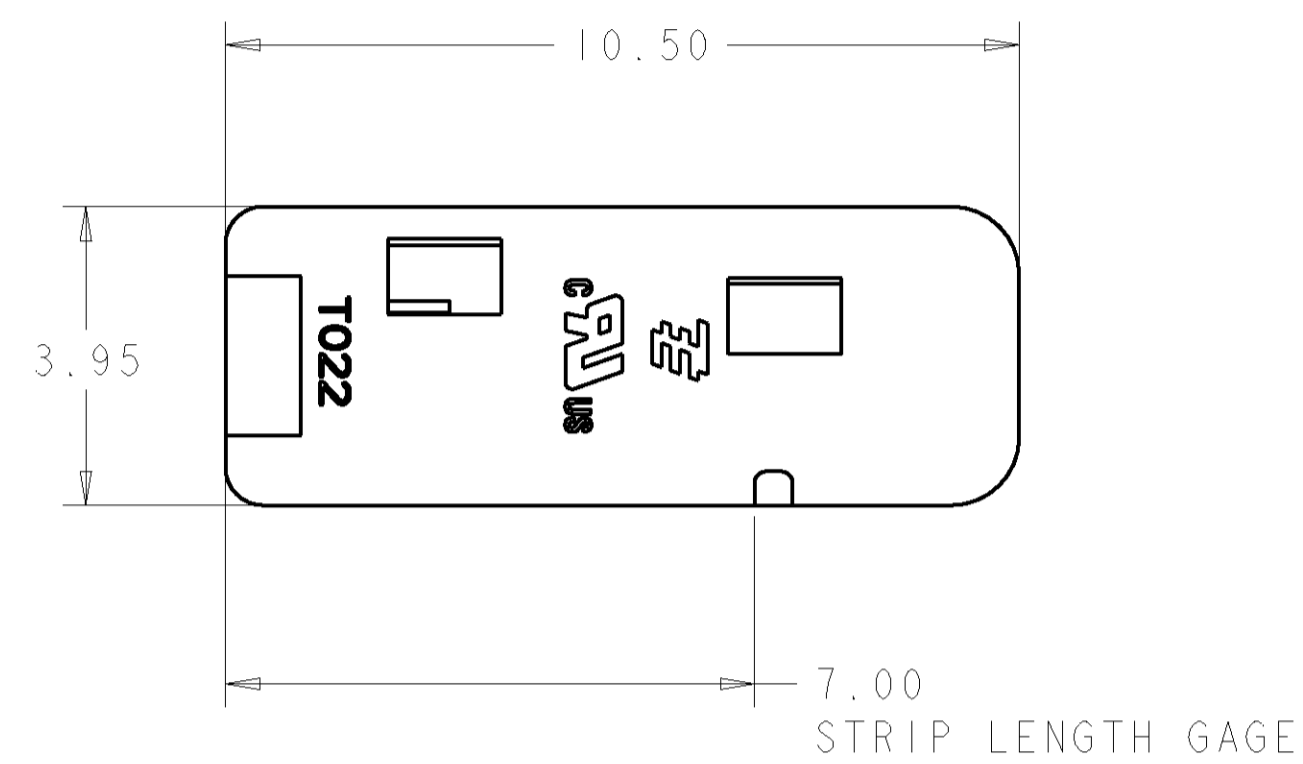


THIS DRAWING IS UNPUBLISHED. RELEASED FOR PUBLICATION 20
 © COPYRIGHT 20 BY TYCO ELECTRONICS CORPORATION. ALL RIGHTS RESERVED.

LOC		DIST		REVISIONS			
P	LTR	DESCRIPTION	DATE	DWN	APVD		
	2	REVISED CONTACT LEAD-IN GEOMETRY	25FEB2008	RB	JD		
	3	REMOVED 7 AND 9 STRAND COUNT	14MAY2008	JD	JD		

- ⚠ MATERIALS AND FINISH:
 - HOUSING: LCP
 - CONTACTS: COPPER ALLOY, FINISH: TIN
- MUST COMPLY WITH DIRECTIVE 2002/95/EC (ROHS)
 - THIS PRODUCT HAS NOT COMPLETED VALIDATION TESTING
 - WIRE TYPES AND SIZES ACCEPTED
 18, 20 AND 22 AWG SOLID WIRE
 18 AND 20 AWG PREBOND STRANDED WIRE
 18 AWG STRANDED WIRE (16 STRAND COUNT)
 MAX INSULATION OD: 2.10 MM (.083")
 STRIP LENGTH: 7.0±1.0 (.276")
 - PACKAGED IN TAPE AND REEL PER EIA-481 SPECIFICATIONS



RECOMMENDED PCB LAYOUT
 SCALE 6:1

PROPOSED DESIGN
 NOT PRODUCTION TOOLED
 DESIGN IS SUBJECT TO
 CHANGE WITHOUT NOTICE

THIS DRAWING IS A CONTROLLED DOCUMENT FOR TYCO ELECTRONICS CORPORATION. IT IS SUBJECT TO CHANGE AND THE CONTROLLING ENGINEERING ORGANIZATION SHOULD BE CONTACTED FOR THE LATEST REVISION.		DWN: 17OCT2007	2008839-1	
		CHK: GURURAJ S	PART NUMBER	
		APVD: -	Tyco Electronics Harrisburg, PA 17105-3608	
DIMENSIONS: mm		PRODUCT SPEC: -	NAME: POKE-IN LED CONNECTOR ASSEMBLY 1 POSITION - THRU HOLE	
TOLERANCES UNLESS OTHERWISE SPECIFIED: 0 PLC ± 1 PLC ±0.5 2 PLC ±0.10 3 PLC ± 4 PLC ± ANGLES ±3° FINISH		APPLICATION SPEC: -	SIZE: A2	CAGE CODE: 2008839
MATERIAL: ⚠		WEIGHT: -	DRAWING NO: C-2008839	RESTRICTED TO: -
		CUSTOMER DRAWING	SCALE: 10:1	SHEET 1 OF 1 REV 3

单击下面可查看定价，库存，交付和生命周期等信息

[>>TE Connectivity\(泰科\)](#)