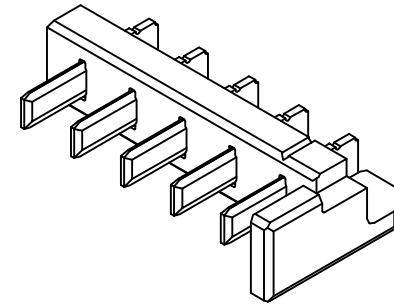
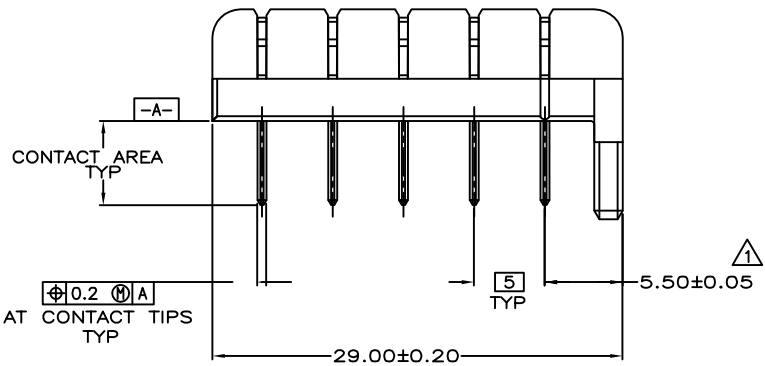
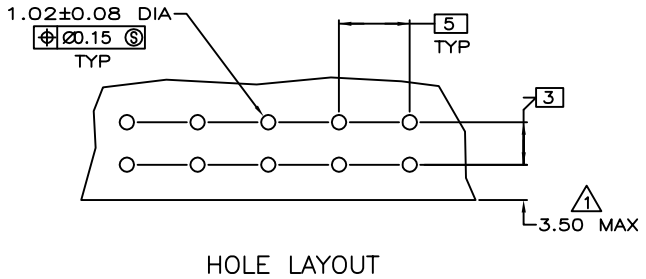
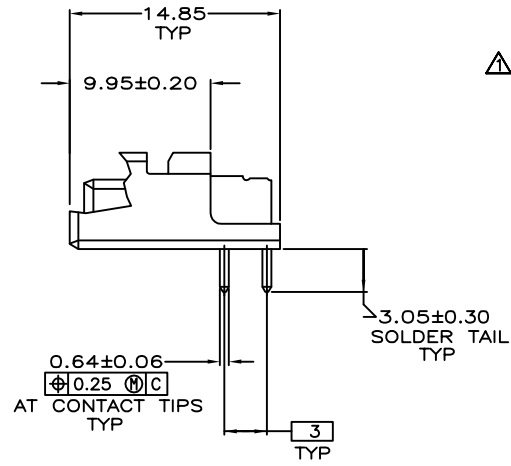
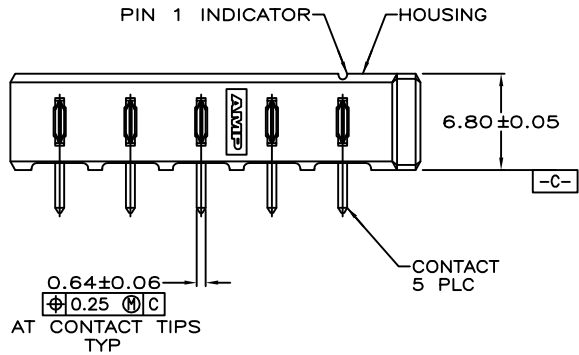


LOC	DIST	P	F	ZONE	LTR	DESCRIPTION	DATE	APPD
ES	00				B	REVISED ECR-10-002761	09FEB2010	S.Y.



△ COORDINATE DIMENSION APPLIES FROM CENTER OF ACTUAL FEATURE.



DO NOT SCALE PRINT. UNLESS SPECIFIED DIMENSIONS IN mm TOLERANCES ON :		DR 19APR05 WENKE HE		PART NO 5787142-1	
2 PLC DEC $\pm 0.10$		CHK 19APR05 STEVEN YAO		Tyco Electronics Shanghai, P.R.China, 200233	
3 PLC DEC $\pm$ -		APPD 19APR05 I.ENOMOTO		NAME HEADER ASSEMBLY, RIGHT ANGLE, 5mm $\phi$ , 5 POSITION, SINGLE KEY, RIGHT VOLTAGE KEY, STRAIGHT SOLDER TAILS, BATTERY INTERCONNECT, 7.2 VOLT	
ANGLES $\pm$ -		APPD		SIZE CAGE CODE DRAWING NO	
MATERIAL HOUSING: LCP, BLACK		PRODUCT SPEC -		C 00779 C-5787142	
CONTACTS: BRASS		APPLICATION SPEC -		SCALE 4:1 SHEET 1 OF 1	
FINISH CONTACTS: 2.54 $\mu$ m MIN TIN ON SOLDER TAIL OVER 1.90 $\mu$ m MIN NICKEL ALL OVER		WEIGHT -		CUSTOMER DRAWING	

THIS DRAWING IS A CONTROLLED DOCUMENT FOR AMP INCORPORATED. IT IS SUBJECT TO CHANGE AND THE CONTROLLING ENGINEERING ORGANIZATION SHOULD BE CONTACTED FOR THE LATEST REVISION.

单击下面可查看定价，库存，交付和生命周期等信息

[>>TE Connectivity\(泰科\)](#)