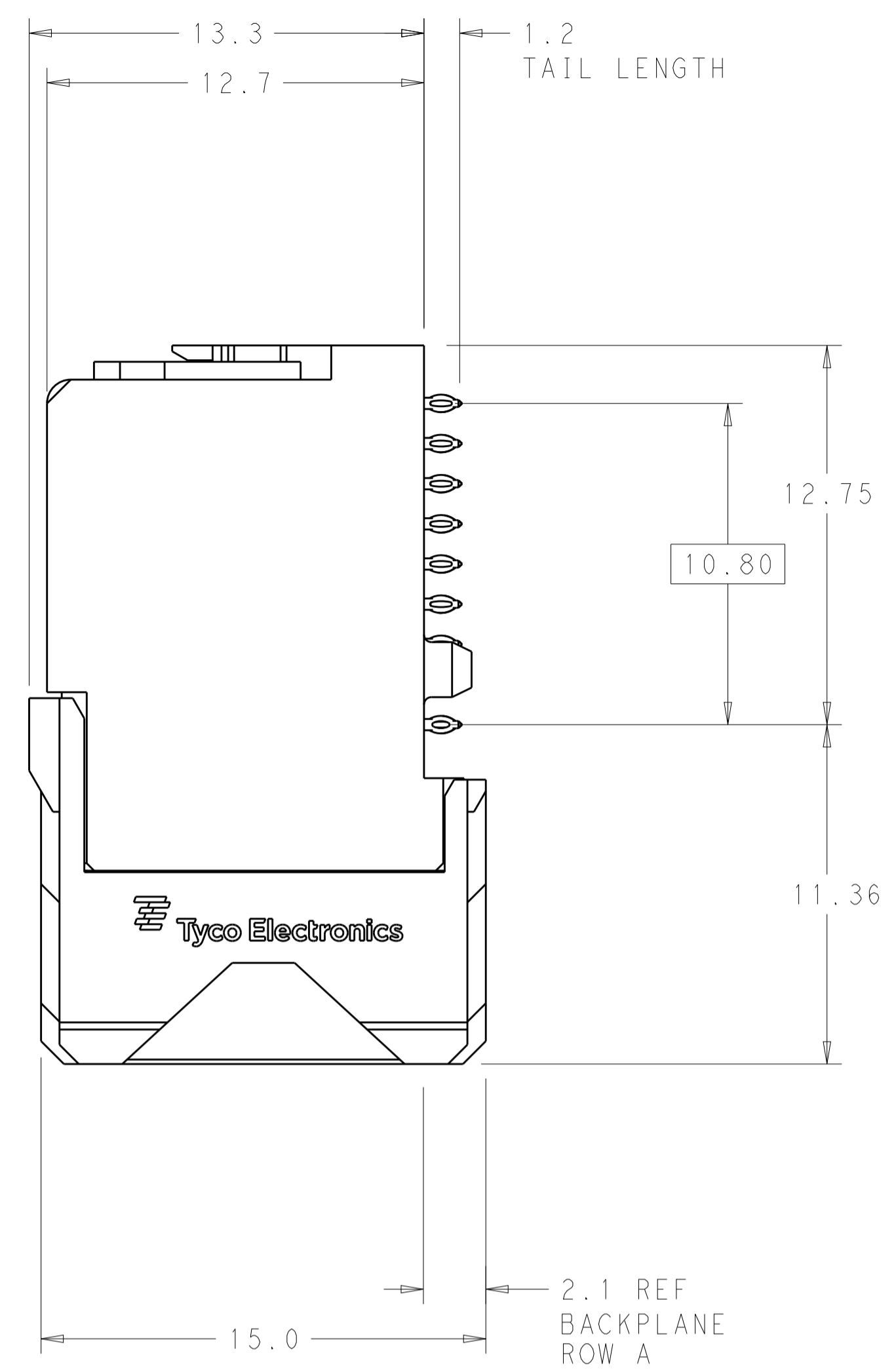
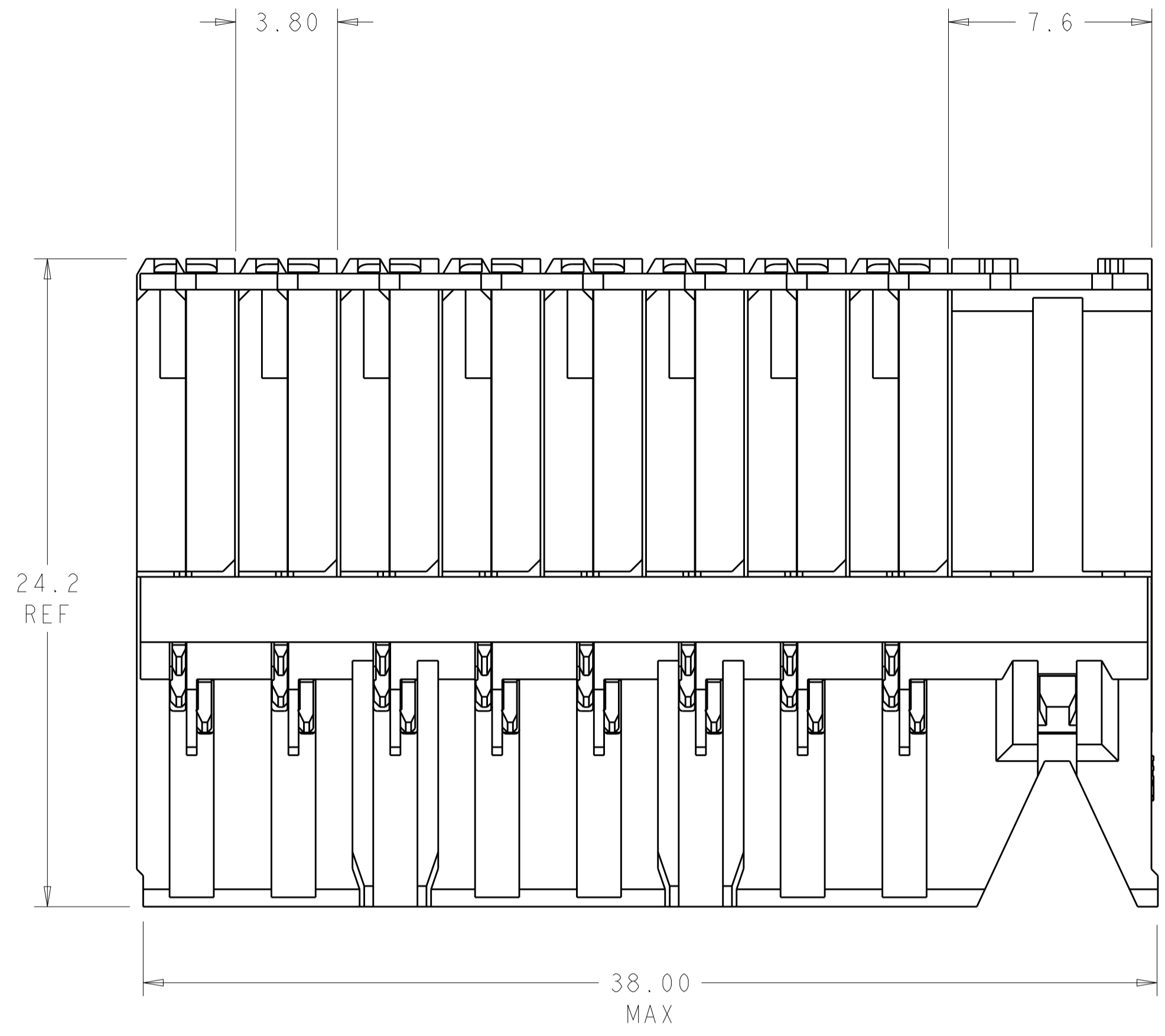
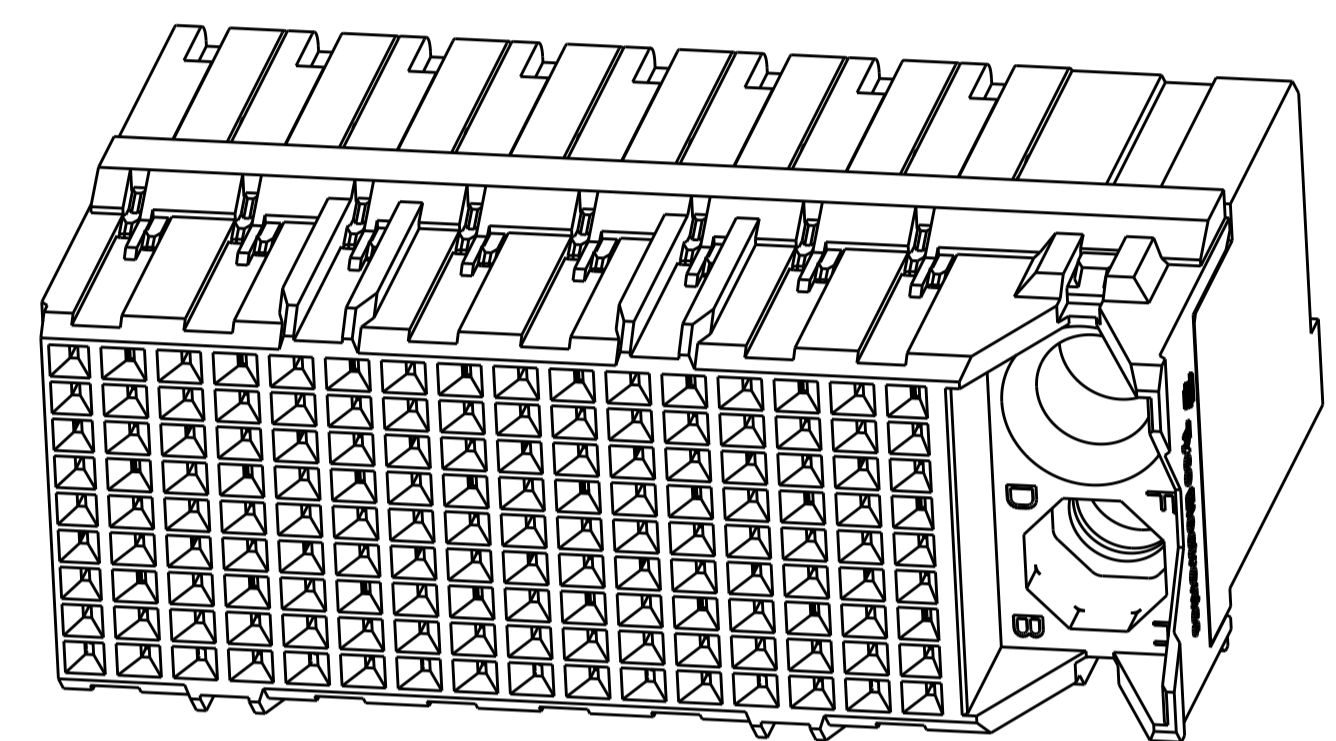


LOC	DIST	REVISIONS			
P	LTN	DESCRIPTION	DATE	OWN	APVD
C1		REVISED PER ECO-14-018035	11MAR2015	AP	DD

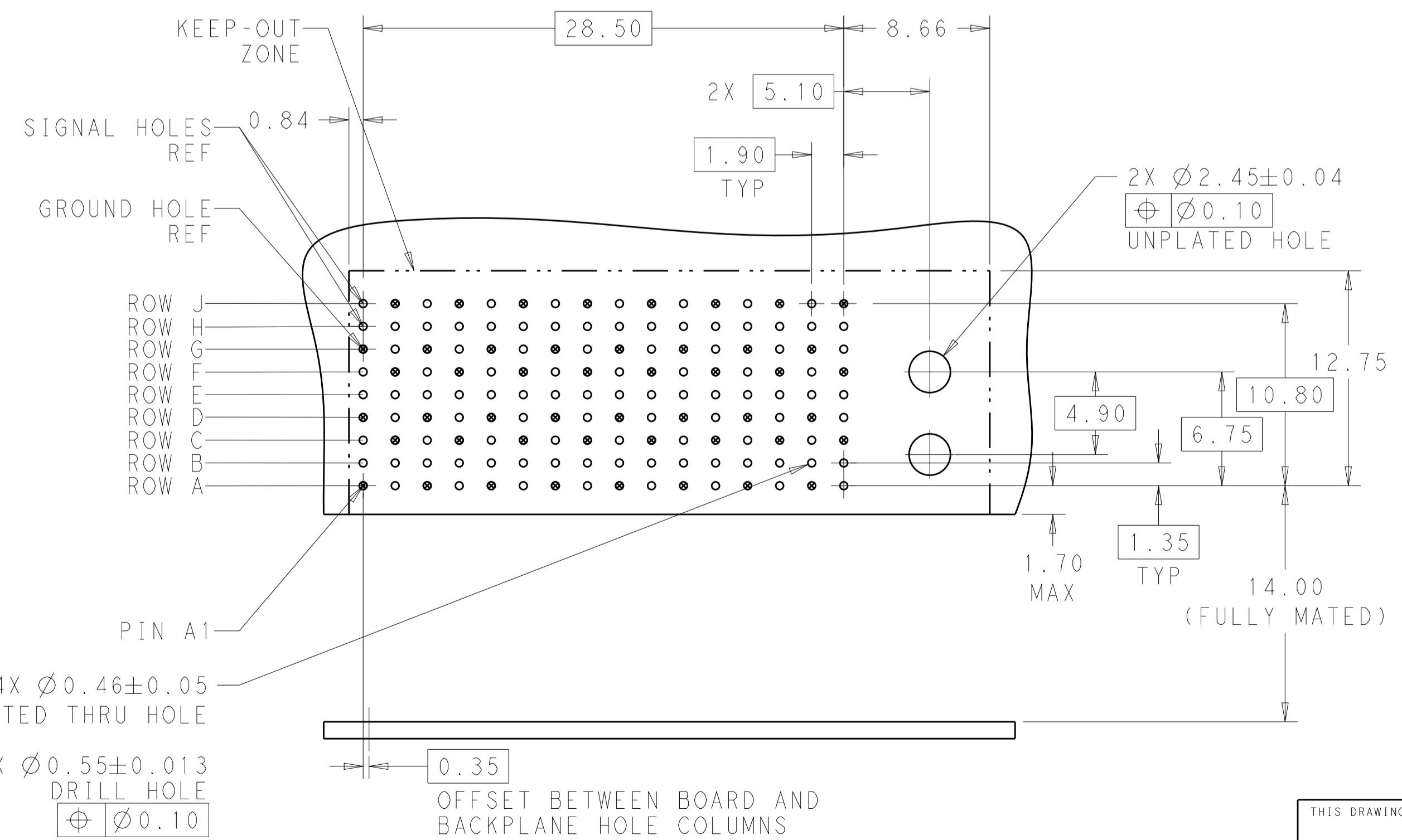
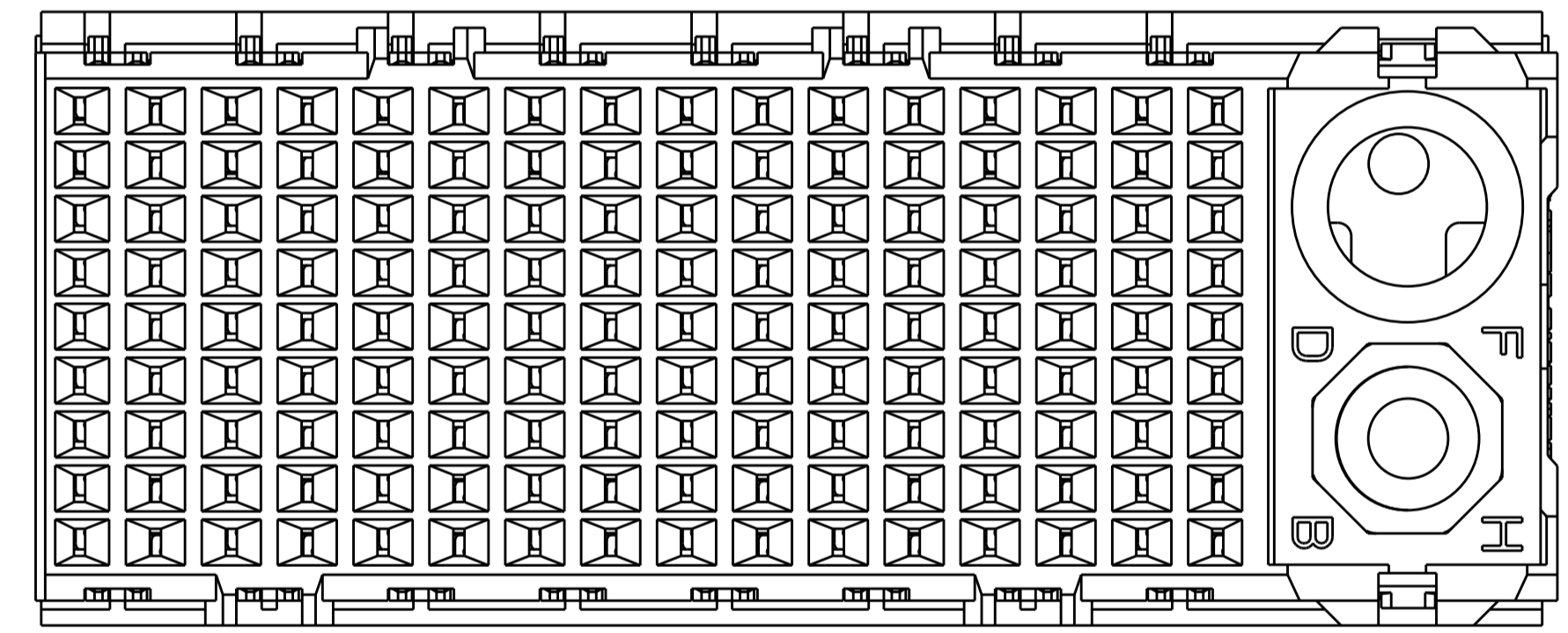


- ⚠ MATERIAL:
HOUSING: LCP, GLASS FILLED, UL94V-0.
TERMINALS: HIGH PERFORMANCE COPPER ALLOY.
- ⚠ FINISH:
30μ" SELECTIVE GOLD IN CONTACT AREA. SELECTIVE TIN ON PCB TAILS, NICKEL OVERALL.
- 3. CONNECTORS SUPPLIED WITH MOUNTING SCREWS



SCALE 4:1

REFER TO WWW.TE.COM FOR PRODUCT AVAILABILITY



KEY POSITION CHART	
	NONE

H	⚠	8-2007707-1
G	⚠	7-2007707-1
F	⚠	6-2007707-1
E	⚠	5-2007707-1
D	⚠	4-2007707-1
C	⚠	3-2007707-1
B	⚠	2-2007707-1
A	⚠	1-2007707-1
NONE	⚠	2007707-1
KEY POSITION	FINISH	PART NUMBER

144X Ø0.46±0.05 PLATED THRU HOLE
144X Ø0.55±0.013 DRILL HOLE
Ø0.10

RECOMMENDED PCB LAYOUT
MIN BOARD THICKNESS 1.0

THIS DRAWING IS A CONTROLLED DOCUMENT.

DIMENSIONS:	TOLERANCES UNLESS OTHERWISE SPECIFIED:	OWN: B. CARBO 05JAN2011	NAME: IMPACT, 3 PAIR, DAUGHTERCARD 16 COLUMN, RIGHT GUIDED, SIGNAL MODULE, 0.46 EYELET
mm	0 PLC ±0.2	CHK: D. DIXON 05JAN2011	PRODUCT SPEC
	1 PLC ±0.13	APVD: D. DIXON 05JAN2011	APPLICATION SPEC
	2 PLC ±0.13		
	3 PLC ±0.13		
	4 PLC ±0.13		
	ANGLES ±0.1		
MATERIAL	FINISH SEE TABLE	WEIGHT	SIZE: CAGE CODE DRAWING NO. RESTRICTED TO
			A100779C=2007707
		Customer Drawing	SCALE 6:1 SHEET 1 OF 1 REV C1

单击下面可查看定价，库存，交付和生命周期等信息

[>>TE Connectivity\(泰科\)](#)