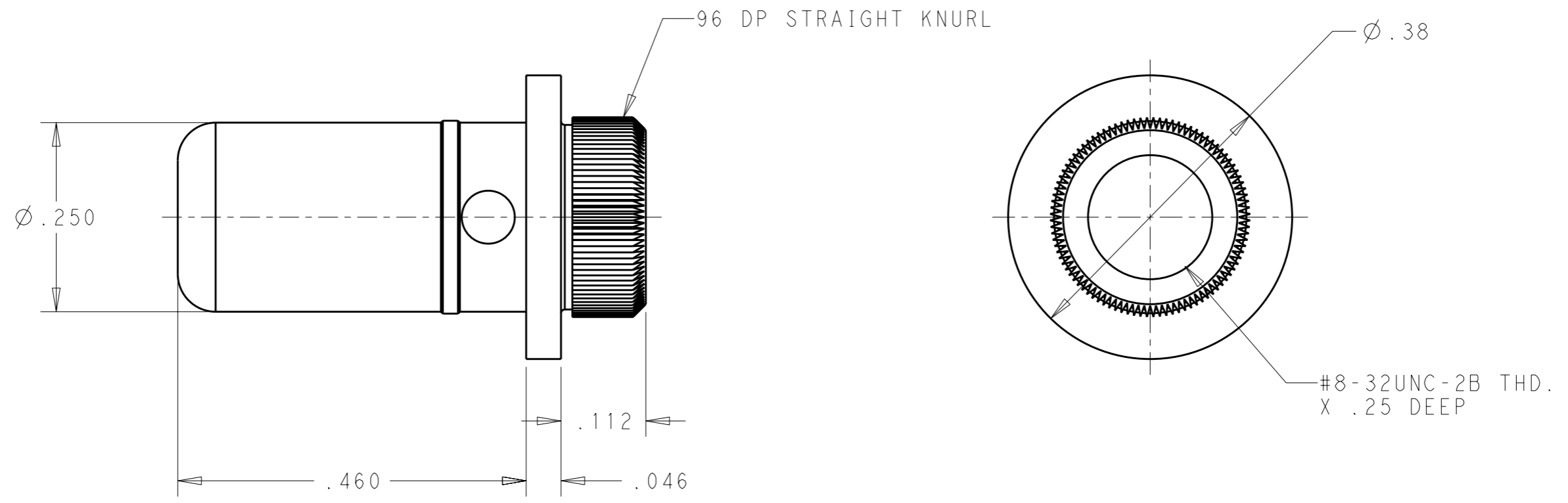


THIS DRAWING IS UNPUBLISHED. RELEASED FOR PUBLICATION 20
 © COPYRIGHT 20 TE ALL RIGHTS RESERVED.

LOC	DIST	REVISIONS			
P	LTR	DESCRIPTION	DATE	DWN	APVD
GP	00	A	RELEASED	01DEC2011	RG DO




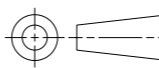
1 MATERIAL:
COPPER ALLOY

2 FINISH:
SILVER PLATED .000100 MIN THK. OVER
NICKEL .000050 MIN THK.

3. ITEMS PROVIDED TO THIS SPECIFICATION TO BE PERMANENTLY IDENTIFIED ON THE CONTAINER PER THE FOLLOWING IDENTIFIER:

PART NO. AND MANUFACTURING DATE CODE

2085957-1
PART NO.

THIS DRAWING IS A CONTROLLED DOCUMENT.		DWN R. GRZYBOWSKI 01DEC2011	 TE Connectivity	
DIMENSIONS: INCHES		CHK D. ORRIS 01DEC2011		
		APVD D. ORRIS 01DEC2011	NAME PIN CONTACT LOCKING, INT THREAD BACKPLANE MOUNTING	
TOLERANCES UNLESS OTHERWISE SPECIFIED:		PRODUCT SPEC	RESTRICTED TO	
0 PLC ±- 1 PLC ±- 2 PLC ±- 3 PLC ±.010 4 PLC ±- ANGLES ±-		APPLICATION SPEC	SIZE A3	CAGE CODE 00779
MATERIAL	FINISH	WEIGHT	DRAWING NO C-2085957	
-	-	-	SCALE 6:1	
CUSTOMER DRAWING		SHEET 1 OF 1		REV A

单击下面可查看定价，库存，交付和生命周期等信息

[>>TE Connectivity\(泰科\)](#)