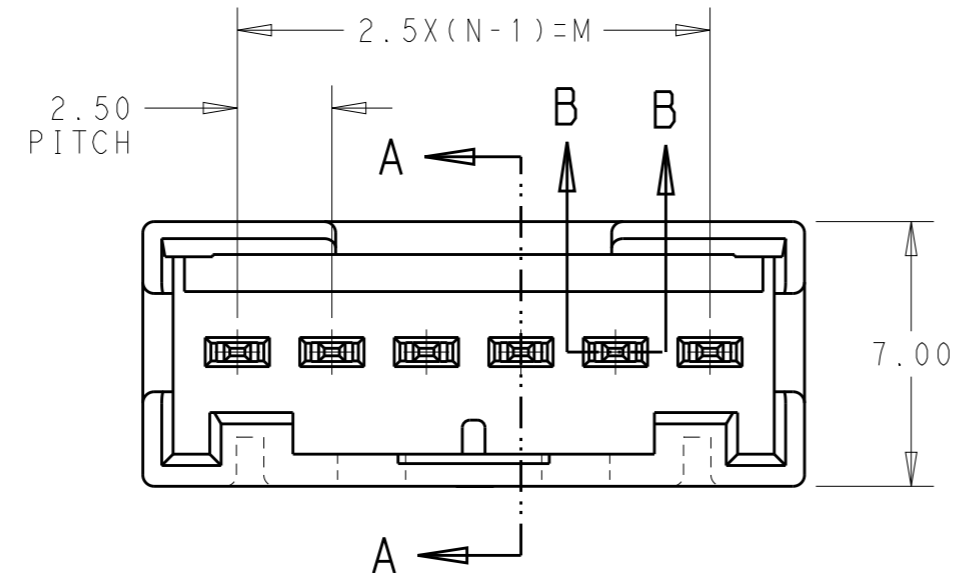
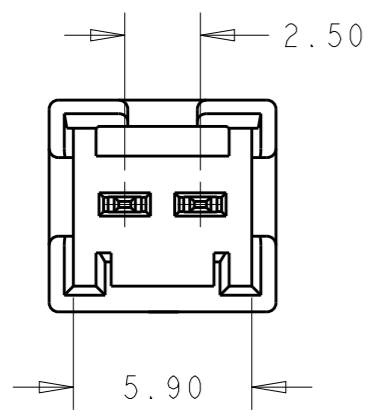
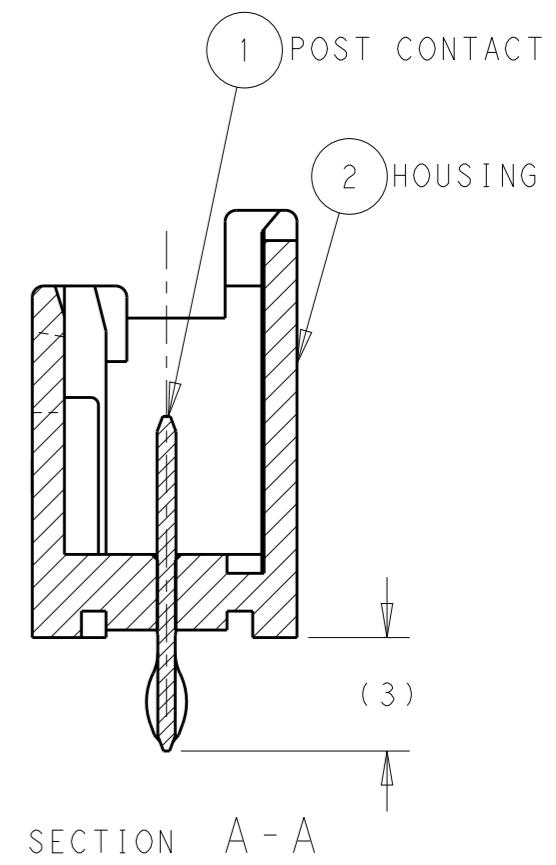
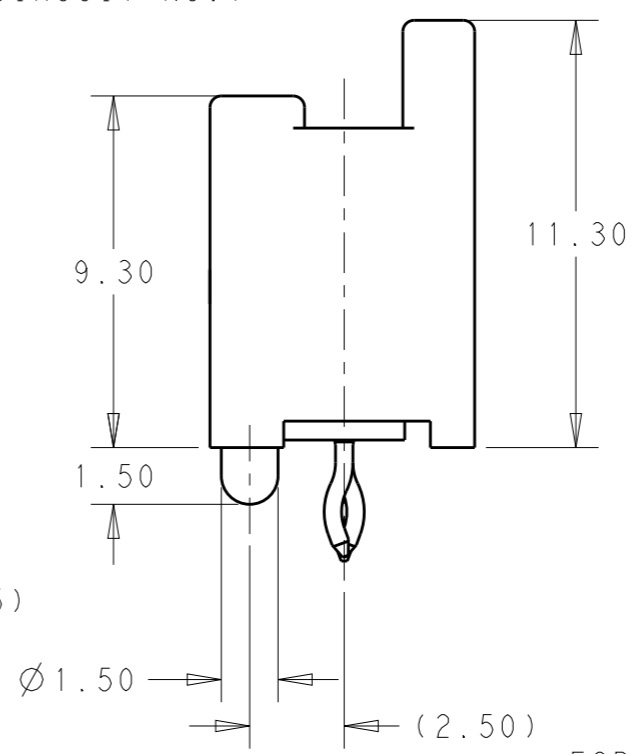
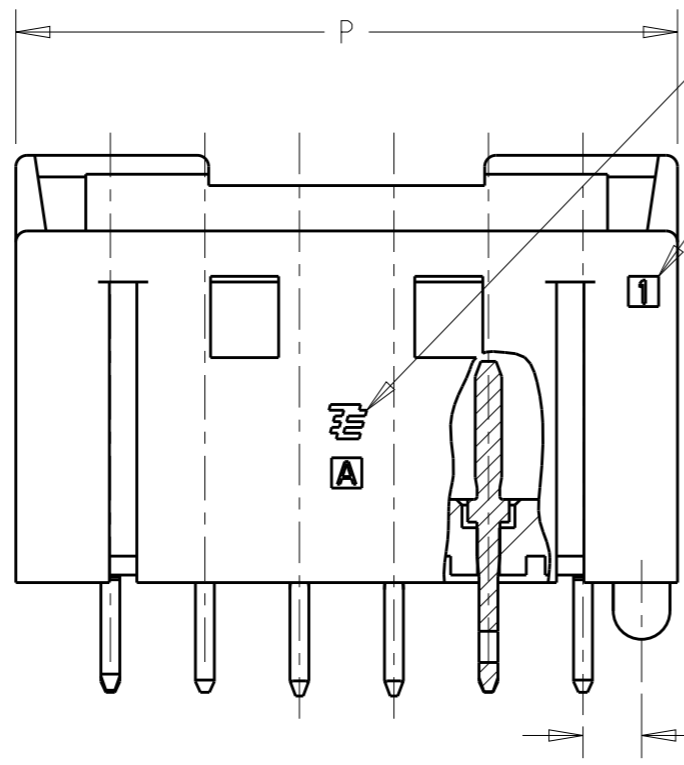
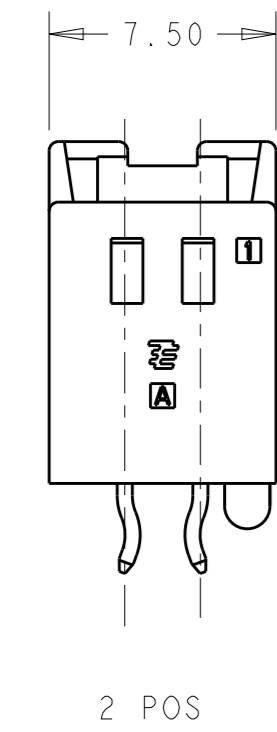


THIS DRAWING IS UNPUBLISHED. RELEASED FOR PUBLICATION 20  
 © COPYRIGHT 2018 BY - TE CONNECTIVITY ALL RIGHTS RESERVED.

REVISIONS					
P	LTR	DESCRIPTION	DATE	DWN	APVD
	J	REVISED PER ECR-18-009764	25SEP2018	BW	CX



- 1 GENERAL TOLERANCE: ±0.3, ±3°
- 2 MATERIAL: 66NYLON GF (UL94V-0)
- 3 MATING CONN. P/N: SEE TABLE
- 4 APPLICABLE PCB HOLE DIA: ØA  
 PUNCHED HOLE: 0.7<sup>+0.1</sup><sub>-0</sub>  
 DRILLED HOLE: 0.9±0.05



FOR PART NO. SEE SHEET 3 OF 4, 4 OF 4

NO.	NAME	MATERIAL
1	POST CONTACT	BRASS, FINISH: TIN, OVER NI
2	HDR HOUSING	66 NYLON GF UL94V-0

THIS DRAWING IS A CONTROLLED DOCUMENT.	
DIMENSIONS: mm	TOLERANCES UNLESS OTHERWISE SPECIFIED:
	0 PLC ±-
	1 PLC ±-
	2 PLC ±-
	3 PLC ±-
	4 PLC ±-
MATERIAL SEE NOTE	ANGLES ±-
	FINISH -

DWN LILY LIU 29JAN08	TE Connectivity	NAME GRACE INERTIA CONNECTOR 2.5 HDR ASSY TIN VERSION		
CHK A. OISHI 29JAN08				
APVD S. MANABE 29JAN08				
PRODUCT SPEC 108-78307				
APPLICATION SPEC 114-5359	SIZE A3	CAGE CODE 00779	DRAWING NO. C-1871843	RESTRICTED TO -
CUSTOMER DRAWING	SCALE 4:1	SHEET 1 OF 4	REV J	

THIS DRAWING IS UNPUBLISHED.

RELEASED FOR PUBLICATION

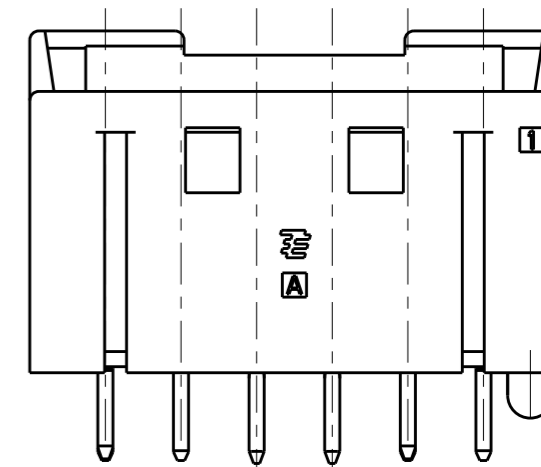
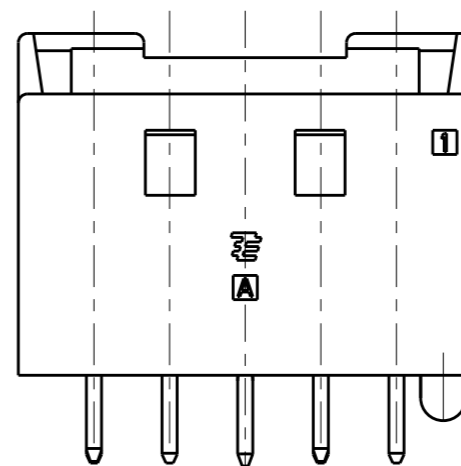
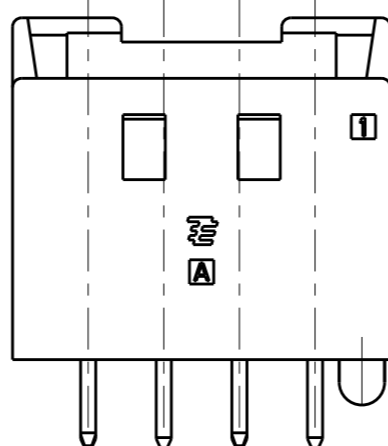
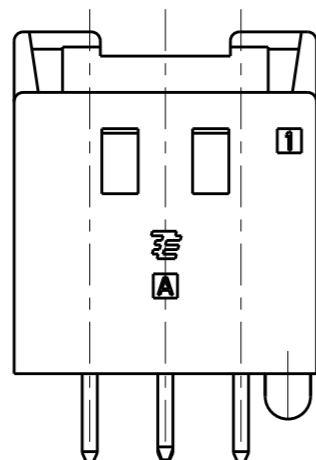
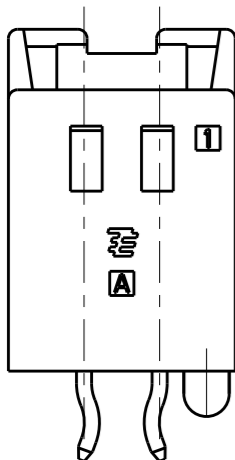
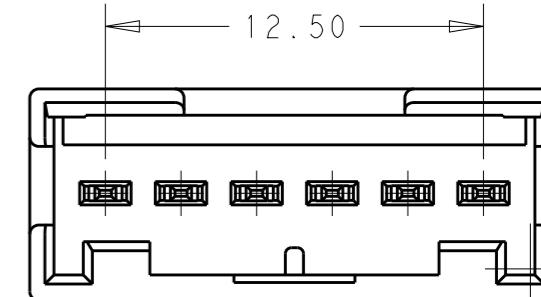
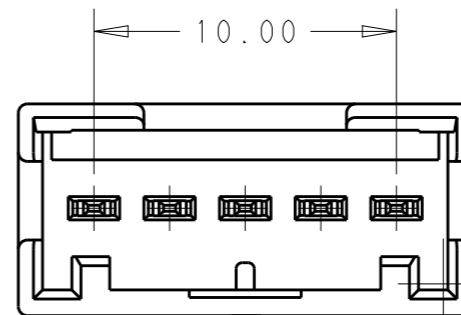
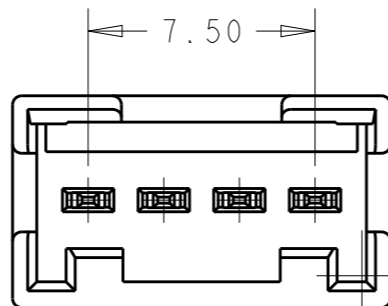
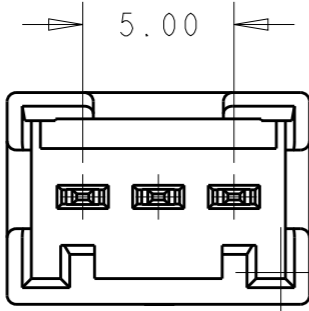
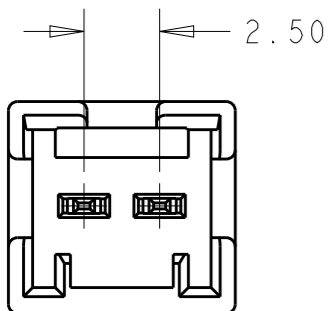
20

© COPYRIGHT 2018 BY - TE CONNECTIVITY

ALL RIGHTS RESERVED.

REVISIONS

P	LTR	DESCRIPTION	DATE	DWN	APVD
-	-	SEE SHEET 1	-	-	-



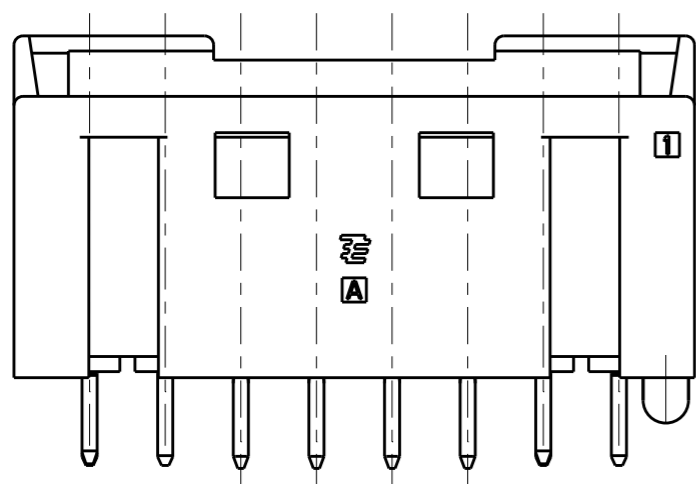
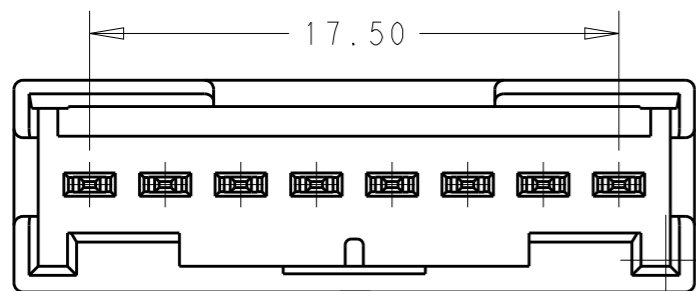
2 POS

3 POS

4 POS

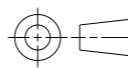
5 POS

6 POS




8 POS

THIS DRAWING IS A CONTROLLED DOCUMENT.

DIMENSIONS: mm	
	
MATERIAL SEE NOTE	

TOLERANCES UNLESS OTHERWISE SPECIFIED:	
0 PLC	±-
1 PLC	±-
2 PLC	±-
3 PLC	±-
4 PLC	±-
ANGLES	±-
FINISH	-

DWN	LILY LIU	29JAN08
CHK	A. OISHI	29JAN08
APVD	S. MANABE	29JAN08
PRODUCT SPEC	108-78307	
APPLICATION SPEC	114-5359	
WEIGHT	-	
CUSTOMER DRAWING		

		TE Connectivity	
		NAME GRACE INERTIA CONNECTOR 2.5 HDR ASSY TIN VERSION	
SIZE	CAGE CODE	DRAWING NO	RESTRICTED TO
A3	00779	C-1871843	-
SCALE		SHEET	REV
4:1		2 OF 4	J

THIS DRAWING IS UNPUBLISHED.

RELEASED FOR PUBLICATION

20

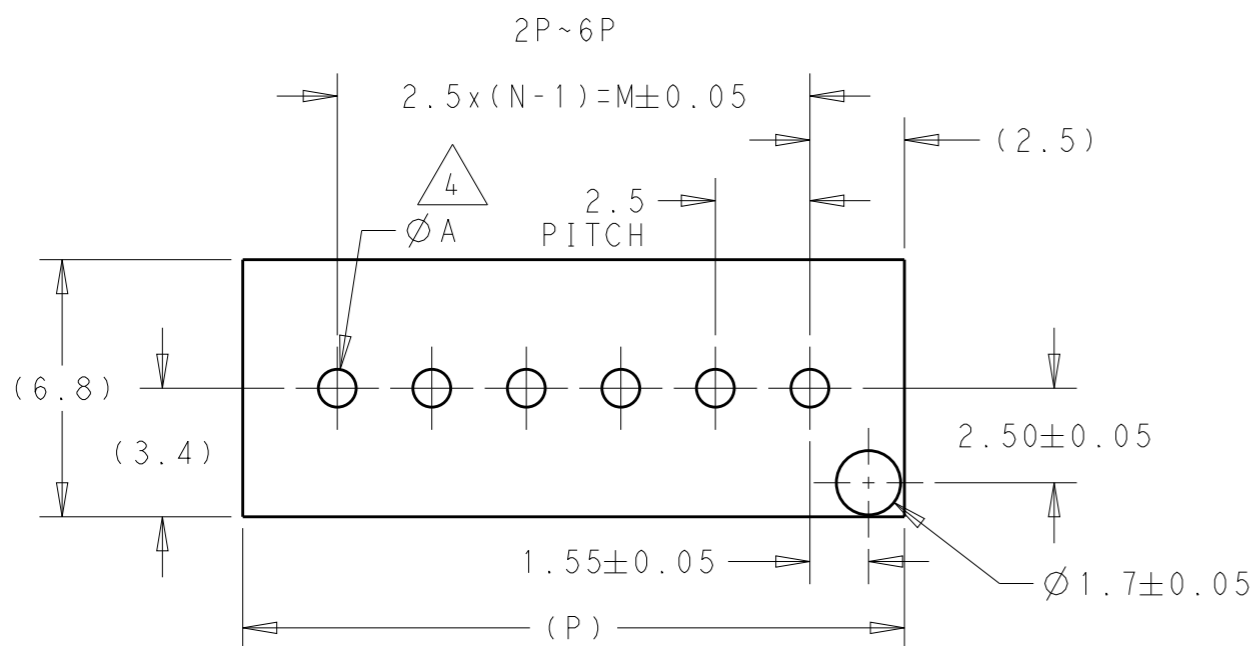
© COPYRIGHT 2018

BY - TE CONNECTIVITY

ALL RIGHTS RESERVED.

REVISIONS

P	LTR	DESCRIPTION	DATE	DWN	APVD
-	-	SEE SHEET 1	-	-	-



MATING CONN P/N	8	7	6	5	4	3	2	1	HOUSING POS	M	N	P	BOSS	COLOR	POS	PITCH	PART NUMBER
	CIRCUIT NO.																
X-1747066-6	*	*	*	*	*	*	*	*	6	12.5	6	17.5	WITH	BLUE	6	2.50	2-1871843-6
	*	*	*	*	*	*	*	*	6	12.5	6	17.5	WITH	RED	6	2.50	1-1871843-6
	*	*	*	*	*	*	*	*	6	12.5	6	17.5	WITH	NATURAL	6	2.50	1871843-6
X-1747066-5	*	*	*	*	*	*	*	*	5	10	5	15.0	WITH	YELLOW	5	2.50	3-1871843-5
	*	*	*	*	*	*	*	*	5	10	5	15.0	WITH	BLUE	5	2.50	2-1871843-5
	*	*	*	*	*	*	*	*	5	10	5	15.0	WITH	RED	5	2.50	1-1871843-5
X-1747066-4	*	*	*	*	*	*	*	*	5	10	5	15.0	WITH	NATURAL	5	2.50	1871843-5
	*	*	*	*	*	*	*	*	4	7.5	4	12.5	WITH	NATURAL	4	2.50	1871843-4
	*	*	*	*	*	*	*	*	4	7.5	4	12.5	WITH	NATURAL	4	2.50	1871843-4
X-1747066-3	*	*	*	*	*	*	*	*	3	5	3	10.0	WITH	YELLOW	3	2.50	3-1871843-3
	*	*	*	*	*	*	*	*	3	5	3	10.0	WITH	BLUE	3	2.50	2-1871843-3
	*	*	*	*	*	*	*	*	3	5	3	10.0	WITH	RED	3	2.50	1-1871843-3
X-1747066-2	*	*	*	*	*	*	*	*	3	5	3	10.0	WITH	NATURAL	3	2.50	1871843-3
	*	*	*	*	*	*	*	*	2	2.5	2	7.5	WITH	BLACK	2	2.50	4-1871843-2
	*	*	*	*	*	*	*	*	2	2.5	2	7.5	WITH	YELLOW	2	2.50	3-1871843-2
X-1747066-2	*	*	*	*	*	*	*	*	2	2.5	2	7.5	WITH	BLUE	2	2.50	2-1871843-2
	*	*	*	*	*	*	*	*	2	2.5	2	7.5	WITH	RED	2	2.50	1-1871843-2
	*	*	*	*	*	*	*	*	2	2.5	2	7.5	WITH	NATURAL	2	2.50	1871843-2

POST CONATCT POSITION  
 \* : POST CONATCT,  
 - : VACANCY

THIS DRAWING IS A CONTROLLED DOCUMENT.

DIMENSIONS: mm	TOLERANCES UNLESS OTHERWISE SPECIFIED:
	0 PLC ±-
	1 PLC ±-
	2 PLC ±-
	3 PLC ±-
	4 PLC ±-
	ANGLES ±-
MATERIAL SEE NOTE	FINISH -

DWN LILY LIU 29JAN08	 TE Connectivity NAME GRACE INERTIA CONNECTOR 2.5 HDR ASSY TIN VERSION - SIZE CAGE CODE DRAWING NO RESTRICTED TO A300779 C-1871843 SCALE 4:1 SHEET 3 OF 4 REV J
CHK A. OISHI 29JAN08	
APVD S. MANABE 29JAN08	
PRODUCT SPEC 108-78307	
APPLICATION SPEC 114-5359	
WEIGHT -	
CUSTOMER DRAWING	

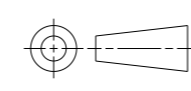
THIS DRAWING IS UNPUBLISHED. RELEASED FOR PUBLICATION 20  
 © COPYRIGHT 2018 BY - TE CONNECTIVITY ALL RIGHTS RESERVED.

REVISIONS					
P	LTR	DESCRIPTION	DATE	DWN	APVD
	-	SEE SHEET 1	-	-	-

X-1747066-6			*	*	-	*	-	*	6	12.5	6	17.5	WITH	NATURAL	4	2.5/5.0	2069625-1
X-1747066-4					*	-	-	*	4	7.5	4	12.5	WITH	NATURAL	4	2.50	2134303-1
X-1747066-3						*	-	*	3	5.0	3	10.0	WITH	NATURAL	2	5.00	2013523-1
X-1747066-8	*	*	*	*	*	*	*	*	8	17.5	8	22.5	WITH	YELLOW	8	2.50	3-1871843-8
	*	*	*	*	*	*	*	*	8	17.5	8	22.5	WITH	BLUE	8	2.50	2-1871843-8
	*	*	*	*	*	*	*	*	8	17.5	8	22.5	WITH	RED	8	2.50	1-1871843-8
	*	*	*	*	*	*	*	*	8	17.5	8	22.5	WITH	NATURAL	8	2.50	1871843-8
MATING CONN P/N	8	7	6	5	4	3	2	1	HOUSING POS	M	N	P	BOSS	COLOR	POS	PITCH	PART NUMBER
	CIRCUIT NO.																

POST CONATCT POSITION  
 \*: POST CONATCT,  
 -: VACANCY

THIS DRAWING IS A CONTROLLED DOCUMENT.

DIMENSIONS: mm	TOLERANCES UNLESS OTHERWISE SPECIFIED:
	0 PLC ±-
	1 PLC ±-
	2 PLC ±-
	3 PLC ±-
	4 PLC ±-
	ANGLES ±-
MATERIAL SEE NOTE	FINISH -

DWN LILY LIU 29JAN08
CHK A. OISHI 29JAN08
APVD S. MANABE 29JAN08
PRODUCT SPEC 108-78307
APPLICATION SPEC 114-5359
WEIGHT -
CUSTOMER DRAWING

<b>STE</b> TE Connectivity			
NAME GRACE INERTIA CONNECTOR 2.5 HDR ASSY TIN VERSION			
SIZE A3	CAGE CODE 00779	DRAWING NO C-1871843	RESTRICTED TO -
SCALE 4:1		SHEET 4 OF 4	REV J

单击下面可查看定价，库存，交付和生命周期等信息

[>>TE Connectivity\(泰科\)](#)