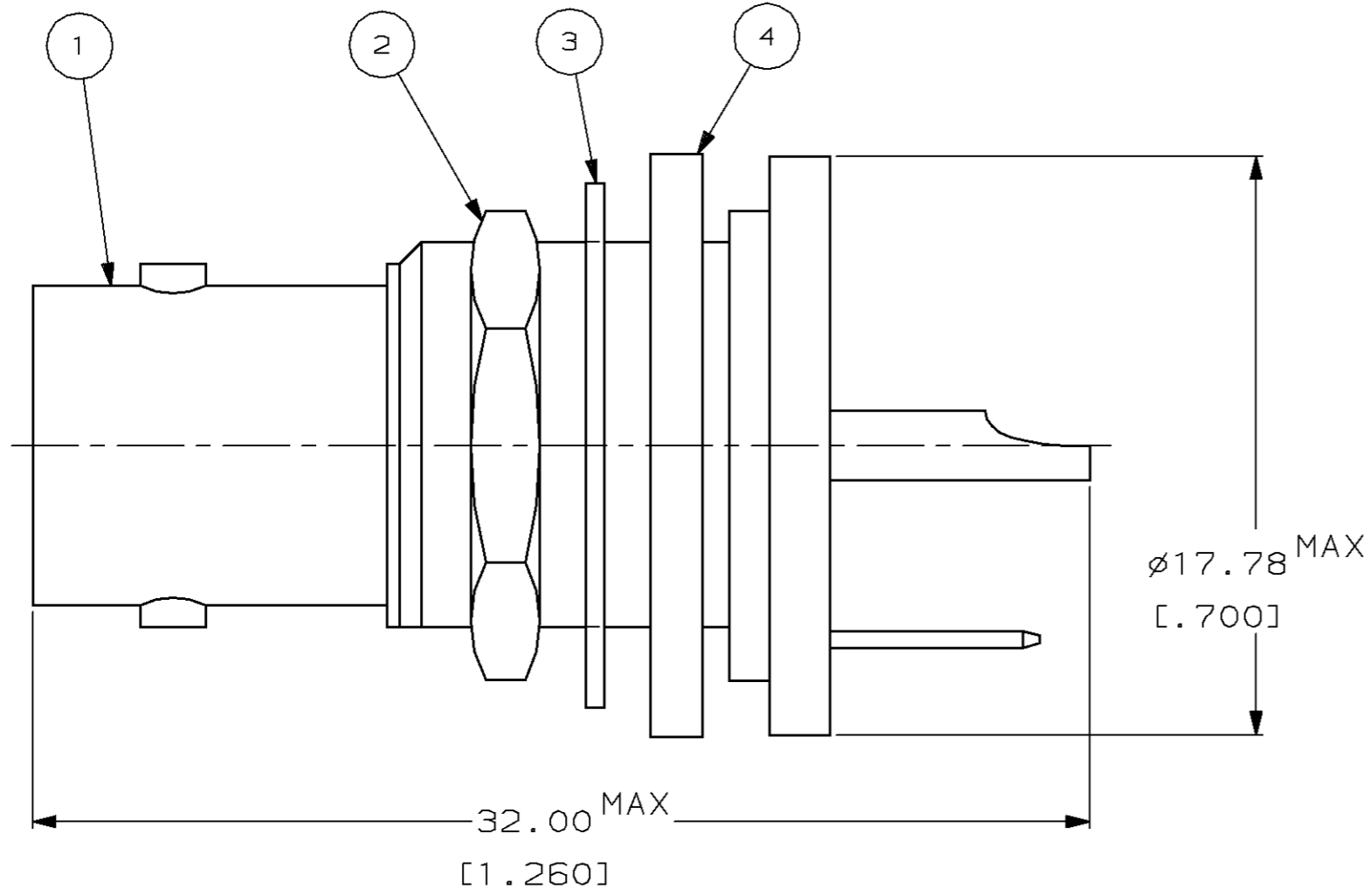
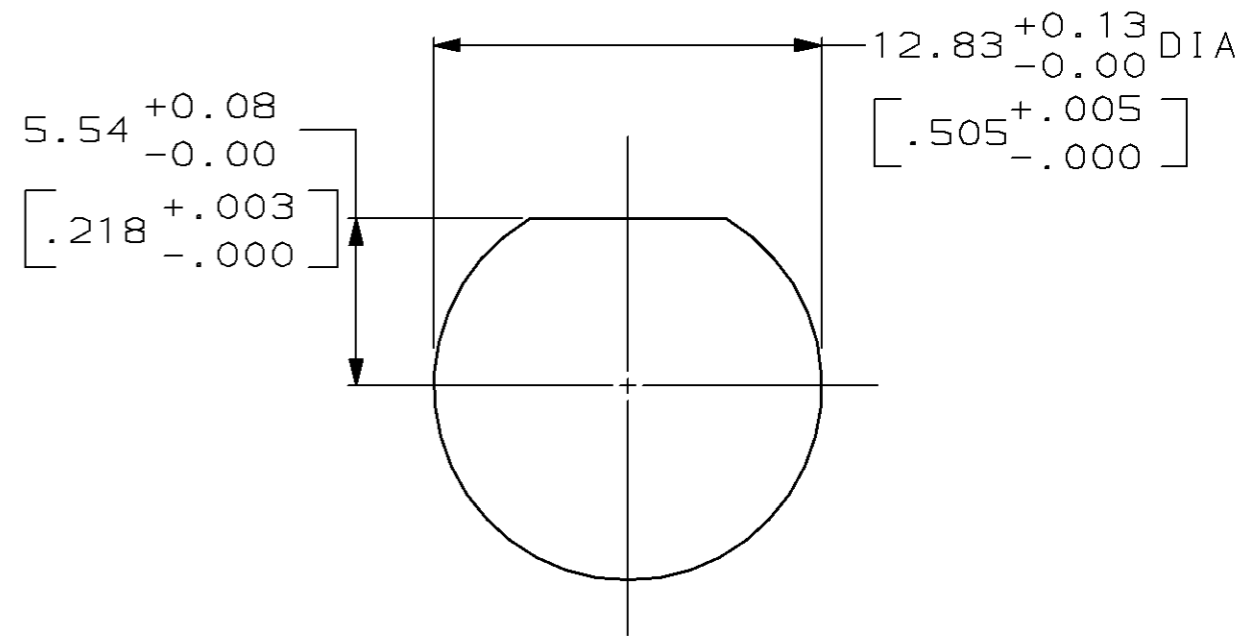


THIS DRAWING IS UNPUBLISHED. RELEASED FOR PUBLICATION, 19 .  
 © COPYRIGHT 19 BY AMP INCORPORATED. ALL INTERNATIONAL RIGHTS RESERVED.

LOC	DIST	P	F	REVISIONS				
				ZONE	LTR	DESCRIPTION	DATE	APPD
AJ	16				0	RELEASE -1 PER 91-3486-039	12-6-91	MEC
					A	REV PER 0220-068-095	11-3-95	JL



1. PANEL THICKNESS: 6.35 [0.250] MAX



RECOMMENDED PANEL CUTOUT  
SCALE: 4:1

227431-1	1-329632-2	1-329631-2	414230-1	414217-1
④ GASKET QTY=1	③ LOCK WASHER QTY=1	② JAM NUT QTY=1	① JACK ASSEMBLY QTY=1	PART NUMBER

DO NOT SCALE PRINT. UNLESS SPECIFIED DIMENSIONS IN mm [INCHES] TOLERANCES ON: 2 PLC DEC ± - 3 PLC DEC ± - ANGLES ± -		DR 12-3-91 M.E. COWHER	<b>AMP</b> AMP Incorporated Harrisburg, PA 17105-3608
MATERIAL -	CHK 12-5-91 J.T. LIPPERT	NAME SOLDER RCPT, BNC	
FINISH -	APPD 12-6-91 M. PHILLIPS	SIZE <b>B</b>	CAGE CODE 00779
	APPD 12-6-91 M.E. COWHER	SCALE 5:1	DRAWING NO 414217
	PRODUCT SPEC -		SHEET 1 OF 1
	APPLICATION SPEC -		
	WEIGHT -		

单击下面可查看定价，库存，交付和生命周期等信息

[>>TE Connectivity\(泰科\)](#)