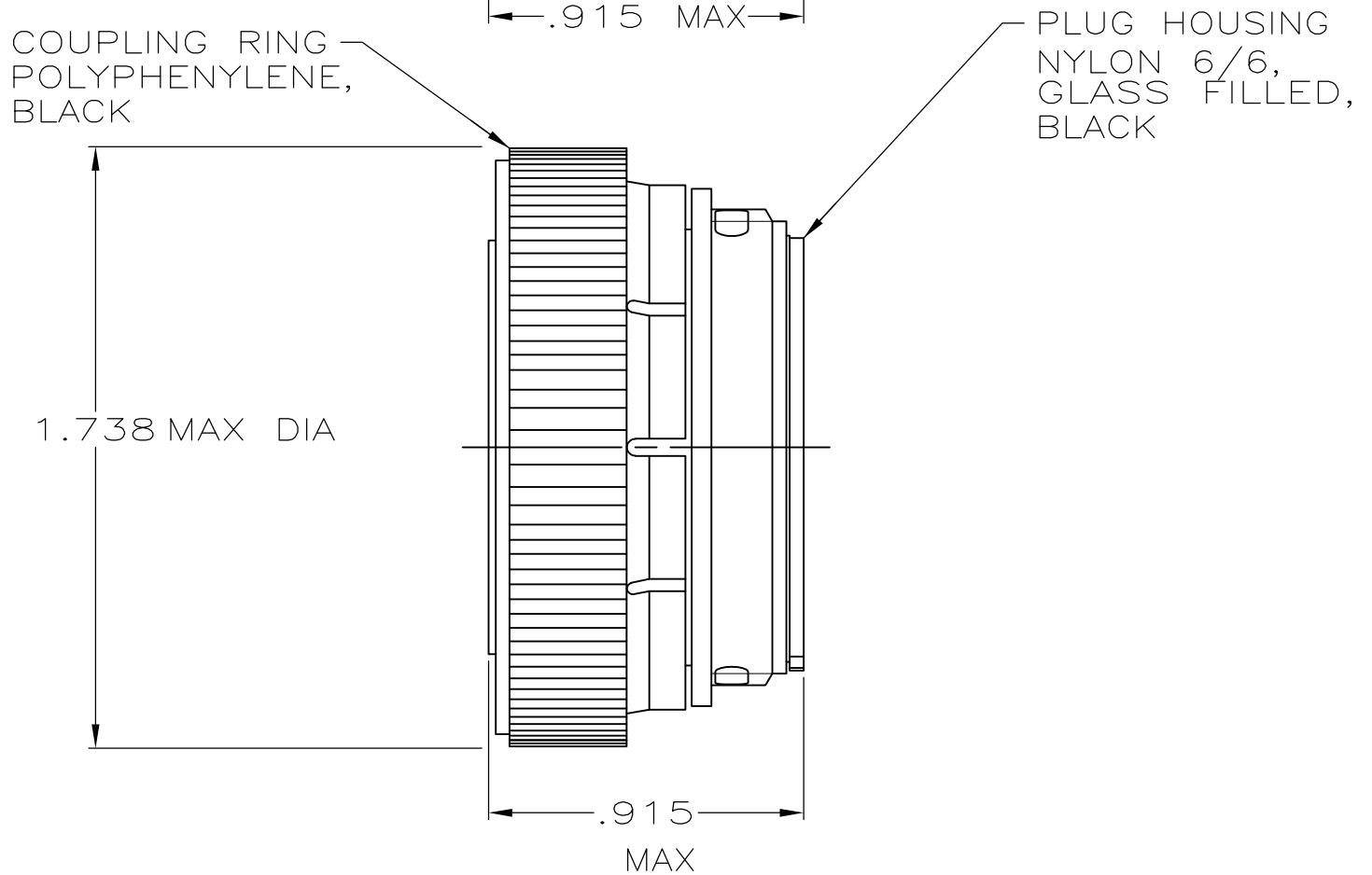
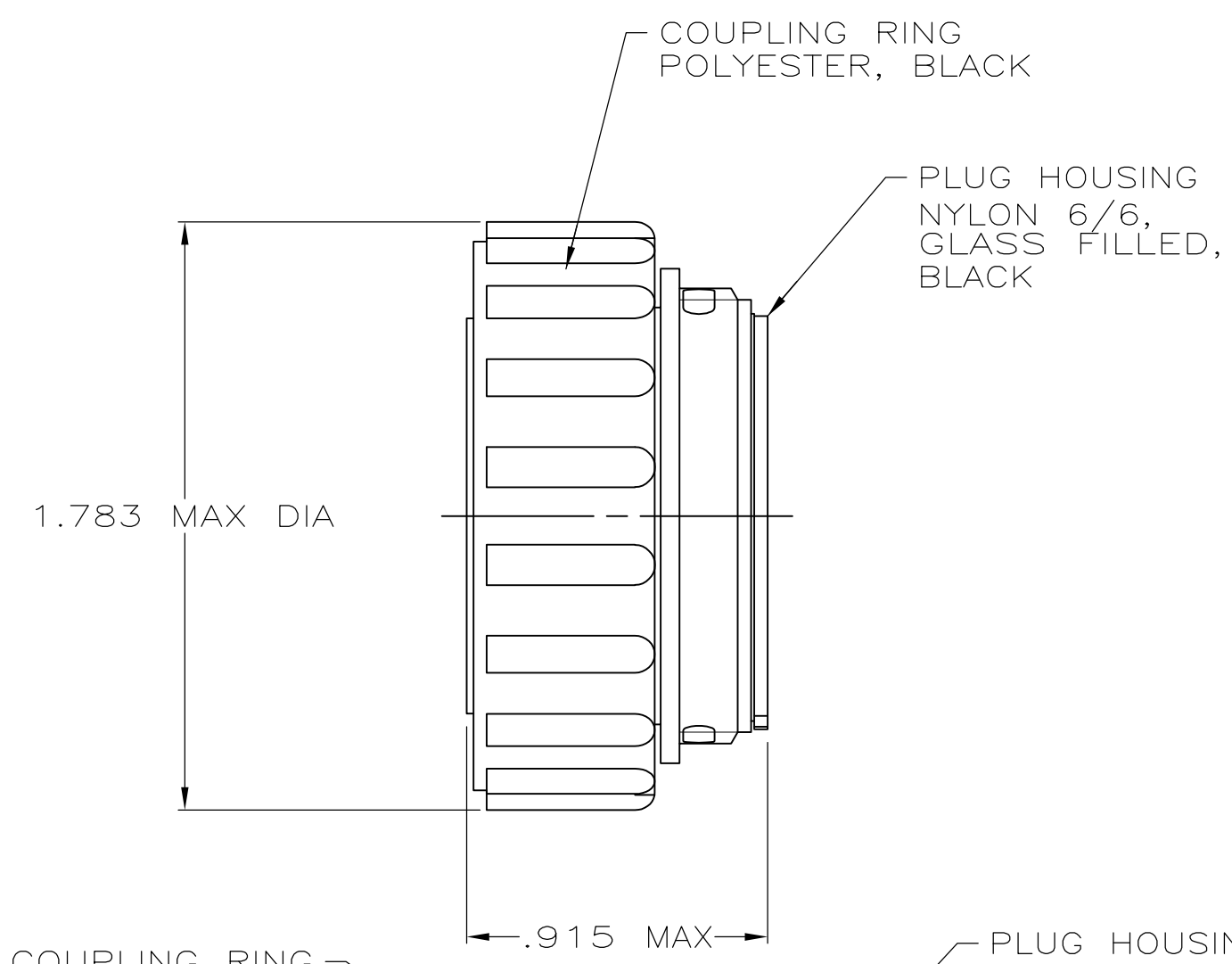
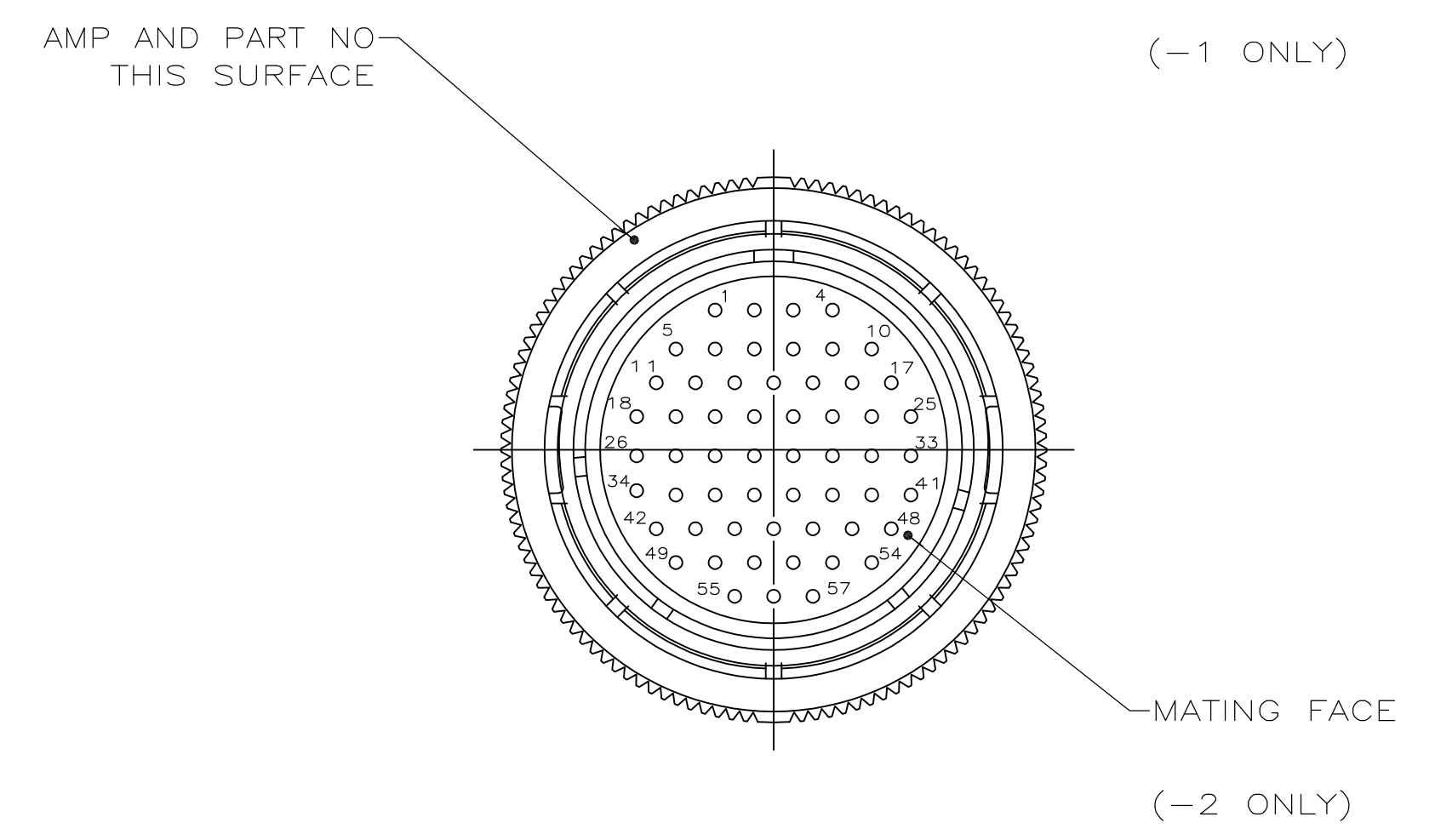
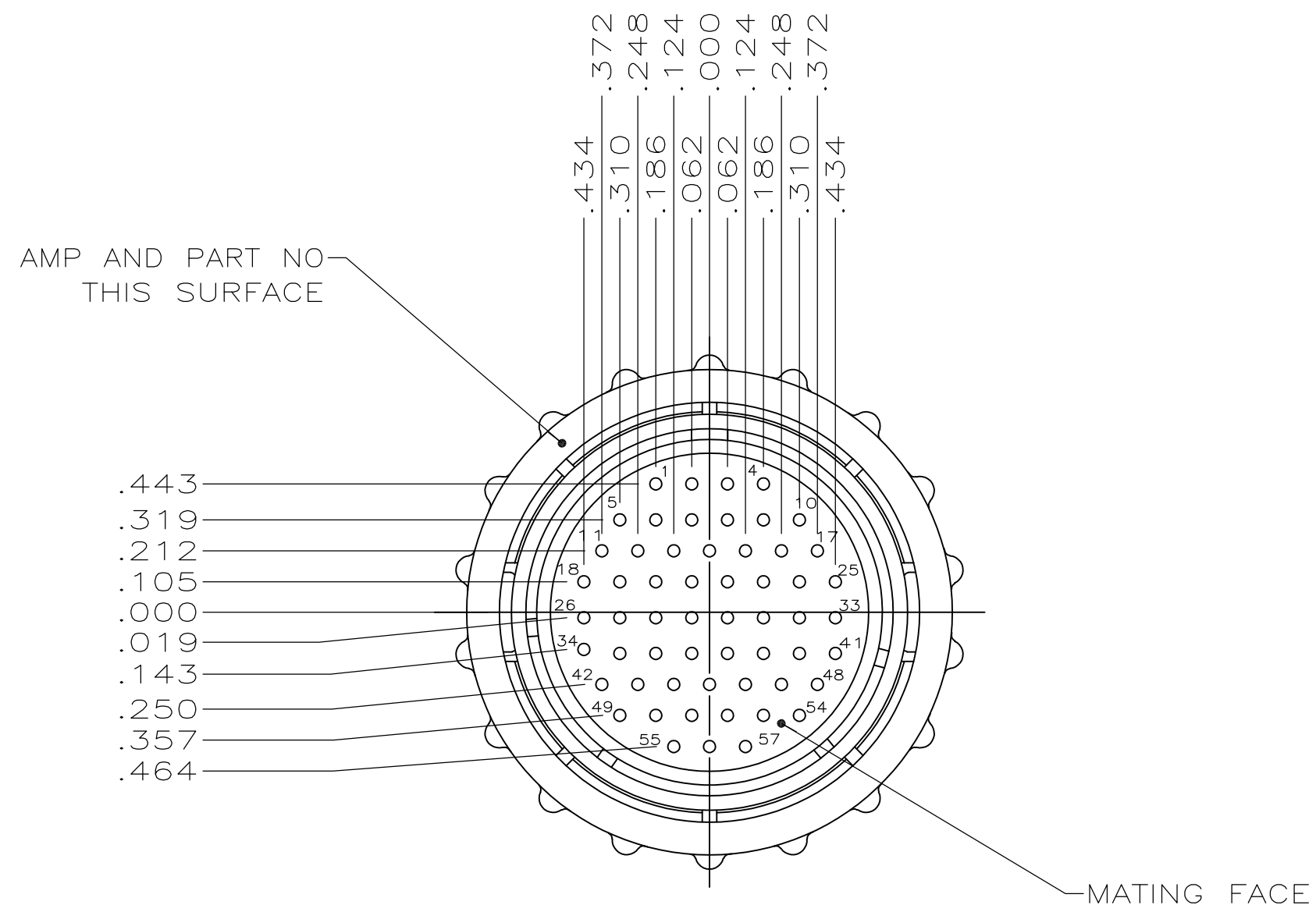


THIS DRAWING IS UNPUBLISHED. RELEASED FOR PUBLICATION
 © COPYRIGHT - By - ALL RIGHTS RESERVED.

LOC		DIST		REVISIONS					
FT		4		P	LTR	DESCRIPTION	DATE	DWN	APVD
		G2		REVISED PER ECO-11-004917			11MAR11	RK	HMR



- CONTACT CAVITIES IDENTIFIED BY CHARACTERS ON FRONT AND REAR FACES OF CONNECTOR.
 - WILL ACCEPT (57) SIZE 20 PIN CONTACTS.
- ⚠ OBSOLETE PARTS: OBSOLETE CIS STREAMLINING PER D.RENAUD/D.SINISI

⚠ OBSOLETE	206437-2
	206437-1
PART NUMBER	

THIS DRAWING IS A CONTROLLED DOCUMENT.		DWN	A.STAUB_BG	4/2/91	TE Connectivity
DIMENSIONS: INCHES		CHK	W.G.LENKER	7-23-92	
TOLERANCES UNLESS OTHERWISE SPECIFIED:		APVD	K.BEAVER	7-23-92	
0 PLC ± - 1 PLC ± - 2 PLC ± - 3 PLC ± .005 4 PLC ± - ANGLES ± - FINISH -		NAME		PLUG ASSEMBLY, REV SEX, SERIES 2, 23-57, CPC	
MATERIAL SEE CALLOUT		PRODUCT SPEC		108-10024	RESTRICTED TO
		APPLICATION SPEC		-	
		WEIGHT		-	
		SIZE		A2	
		CAGE CODE		00779	
		DRAWING NO		G-206437	
		CUSTOMER DRAWING		SCALE	2:1
				SHEET	1 OF 1
				REV	G2

单击下面可查看定价，库存，交付和生命周期等信息

[>>TE Connectivity\(泰科\)](#)