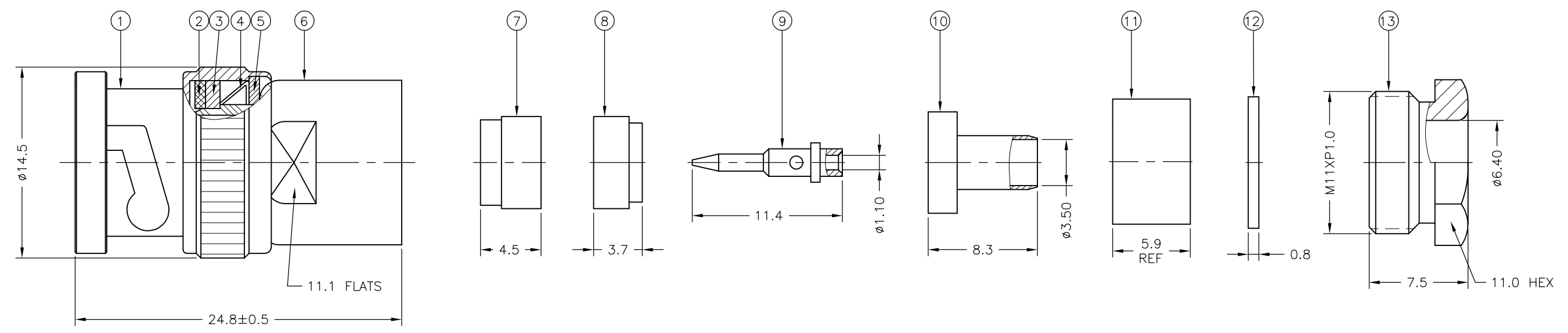


THIS DRAWING IS UNPUBLISHED. RELEASED FOR PUBLICATION
 © COPYRIGHT - By - ALL RIGHTS RESERVED.

LOC	DIST	REVISIONS			
P	LTR	DESCRIPTION	DATE	DWN	APVD
	C	ECO-13-014358	27OCT2014	RZ	MY



NOTES:

1 PACKAGE ONE COMPLETE CONNECTOR IN HEAT SEALED, LABELED BAG/ 250 PCS PER SHIPPING BOX. LABELED PER TEC-107-115

2 Ag PLATING

3 Ni PLATING

4 THIS ITEM MUST BE WHITE

5 ELECTRICAL CHARACTERISTICS

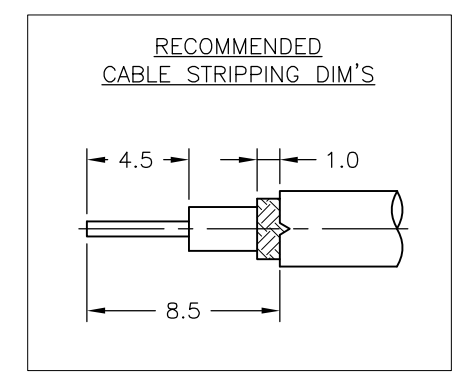
FREQUENCY RANGE:	DC - 1 GHz
NOMINAL IMPEDANCE:	75 Ohm
INSULATION RESISTANCE:	5000 MOhm
WORKING VOLTAGE:	500 Volts RMS at Sea Level
DIELECTRIC WITHSTAND VOLTAGE:	1500 Volts RMS Max
CONTACT RESISTANCE:	
CENTER CONTACT:	1.50 mOhm Max
OUTER CONTACT:	1.00 mOhm Max
VSWR @ 1GHz:	1.3 Max
INSERTION LOSS dB @ x 1 GHz:	0.3 Max

6 MECHANICAL CHARACTERISTICS

COUPLING NUT RETENTION FORCE:	180N Min
DURABILITY:	500 Cycles Min

7 ENVIRONMENTAL CHARACTERISTICS

OPERATING TEMPERATURE:	-65 to +165 DegC
------------------------	------------------



QTY	MATERIAL	DESCRIPTION	ITEM
1	BRASS	NUT	13
1	BRASS	WASHER	12
1	SILICONE RUBBER	GASKET	11
1	BRASS	BRAID CLAMP	10
1	BRASS	CENTER CONTACT	9
1	PTFE	INSULATOR	8
1	PTFE	INSULATOR	7
1	BRASS	BODY	6
1	BRASS	WASHER	5
1	SK-5	SPRING WASHER	4
1	BRASS	WASHER	3
1	SILICONE RUBBER	GASKET	2
1	BRASS	COUPLING NUT	1
1--0	MATERIAL	DESCRIPTION	ITEM

QUANTITY PER ASSY		PARTS LIST	
DWN		21NOV2001	
A.BEKEN			
CHK		21NOV2001	
R.G			
APVD		21NOV2001	
F.W-KING		NAME	
PRODUCT SPEC		108-112000	
APPLICATION SPEC		411-3274	
SIZE	CAGE CODE	DRAWING NO	RESTRICTED TO
A3	00779	C-1478408	-
CUSTOMER DRAWING		SCALE	SHEET
		NTS	1 OF 1
		REV	C

THIS DRAWING IS A CONTROLLED DOCUMENT.	
DIMENSIONS:	TOLERANCES UNLESS OTHERWISE SPECIFIED:
mm	
	0 PLC ± -
	1 PLC ± 0.2
	2 PLC ± 0.1
	3 PLC ± -
	4 PLC ± -
	ANGLES ± -
MATERIAL	FINISH
-	-



BNC STRAIGHT PLUG SOLDER (PS) 75 Ohm URM70

单击下面可查看定价，库存，交付和生命周期等信息

[>>TE Connectivity\(泰科\)](#)