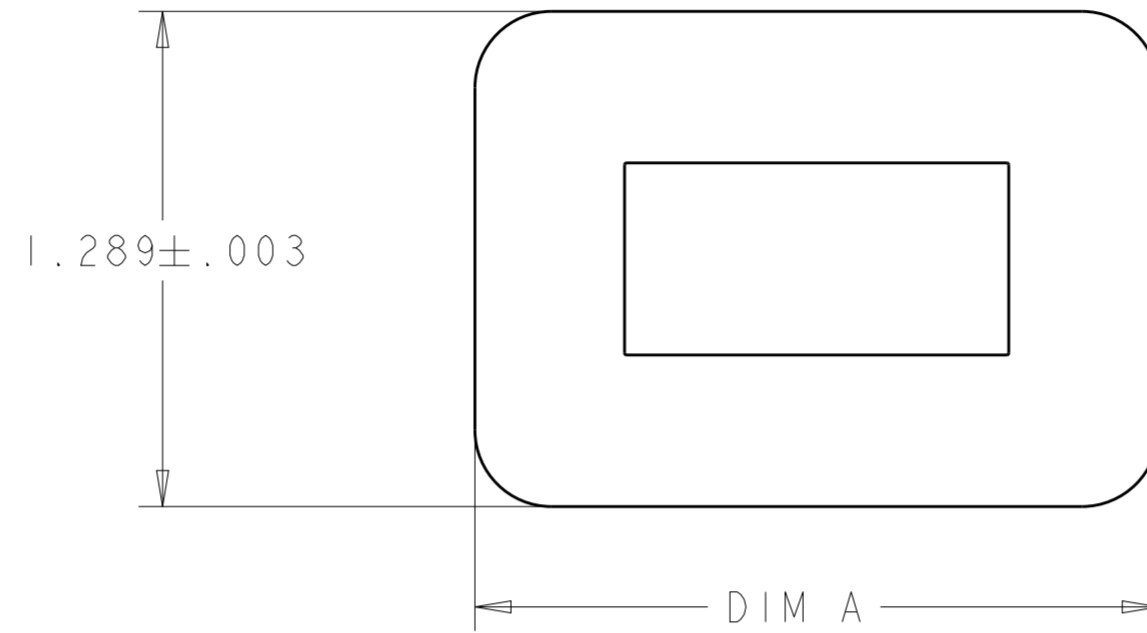
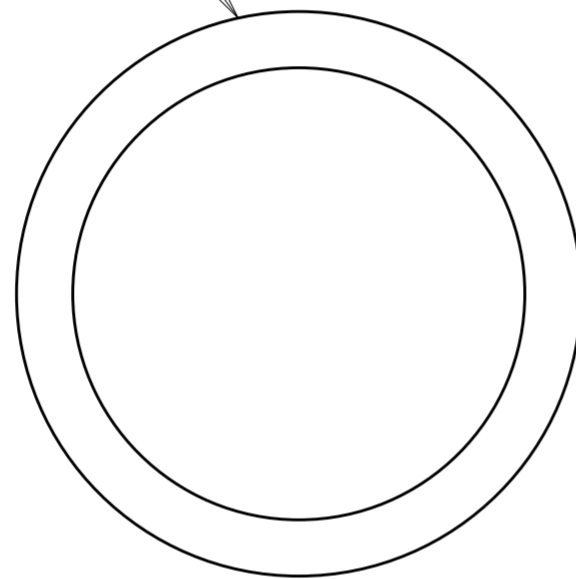


THIS DRAWING IS UNPUBLISHED. RELEASED FOR PUBLICATION
 © COPYRIGHT - BY - ALL RIGHTS RESERVED.

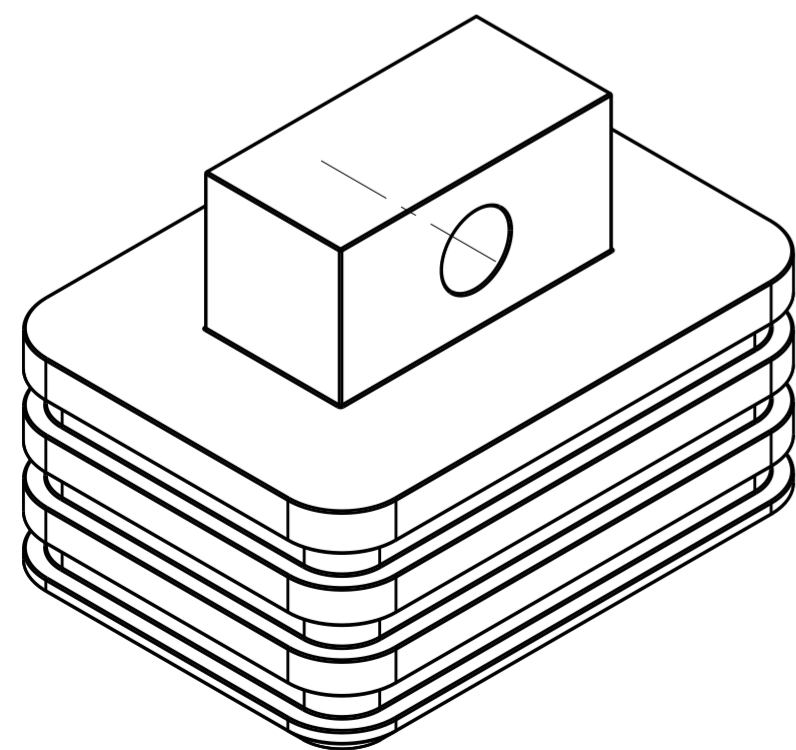
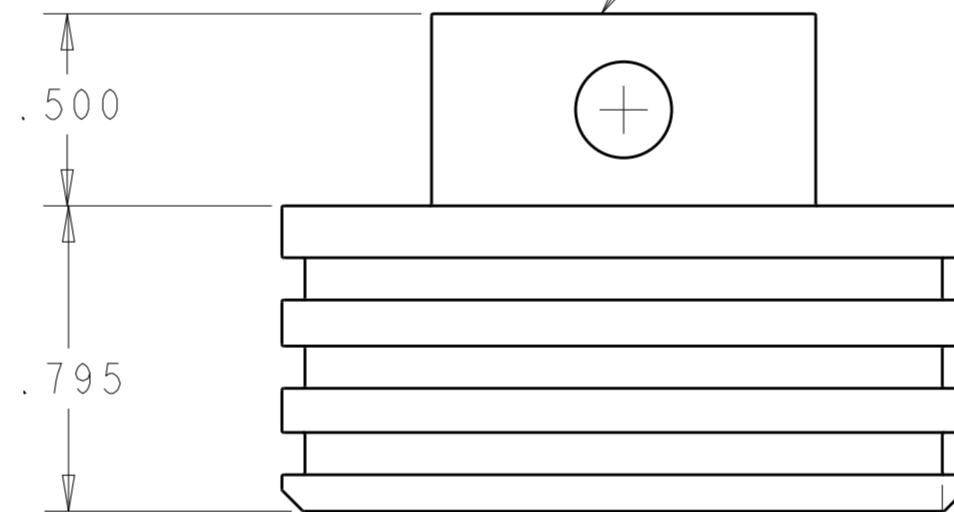
REVISIONS				
P	LTR	DESCRIPTION	DATE	APVD
A		RELEASED PER ECO 08-010544	13MAY2008	CT KT
B		REVISED PER ECO-15-011840	18NOV15	RS CT

1. PARTS ARE PACKAGED UNASSEMBLED.

O-RING; QTY = 3
 MAT'L: FLUROSILICONE PER
 MIL-R-25988, CLASS I, GR 60,
 DUROMETER 60



POCKET PROTECTOR
 MAT'L: ALUMINUM ALLOY
 FINISH: ELECTROLESS NICKEL



OBSOLETE	1.337 ± .003	1996371-2
OBSOLETE	1.777 ± .003	1996371-1
	DIM A	PART NO.

THIS DRAWING IS A CONTROLLED DOCUMENT.		DWN C.C. THOMAS 5-13-08	STE TE Connectivity	
DIMENSIONS: INCHES		CHK K. THACKSTON 5-13-08		
TOLERANCES UNLESS OTHERWISE SPECIFIED:		APVD K. THACKSTON 5-13-08	NAME POCKET PROTECTOR KIT, SIGNAL, ARINC 600	
0 PLC ±	1 PLC ±	PRODUCT SPEC	-	
2 PLC ±	3 PLC ±.010	APPLICATION SPEC	-	
4 PLC ±	ANGLES ±	WEIGHT	-	
MATERIAL SEE CALLOUT	FINISH SEE CALLOUT	CUSTOMER DRAWING	SIZE A200779	CAGE CODE C-1996371
SCALE 2:1			SHEET 1 OF 1	REV B

单击下面可查看定价，库存，交付和生命周期等信息

[>>TE Connectivity\(泰科\)](#)