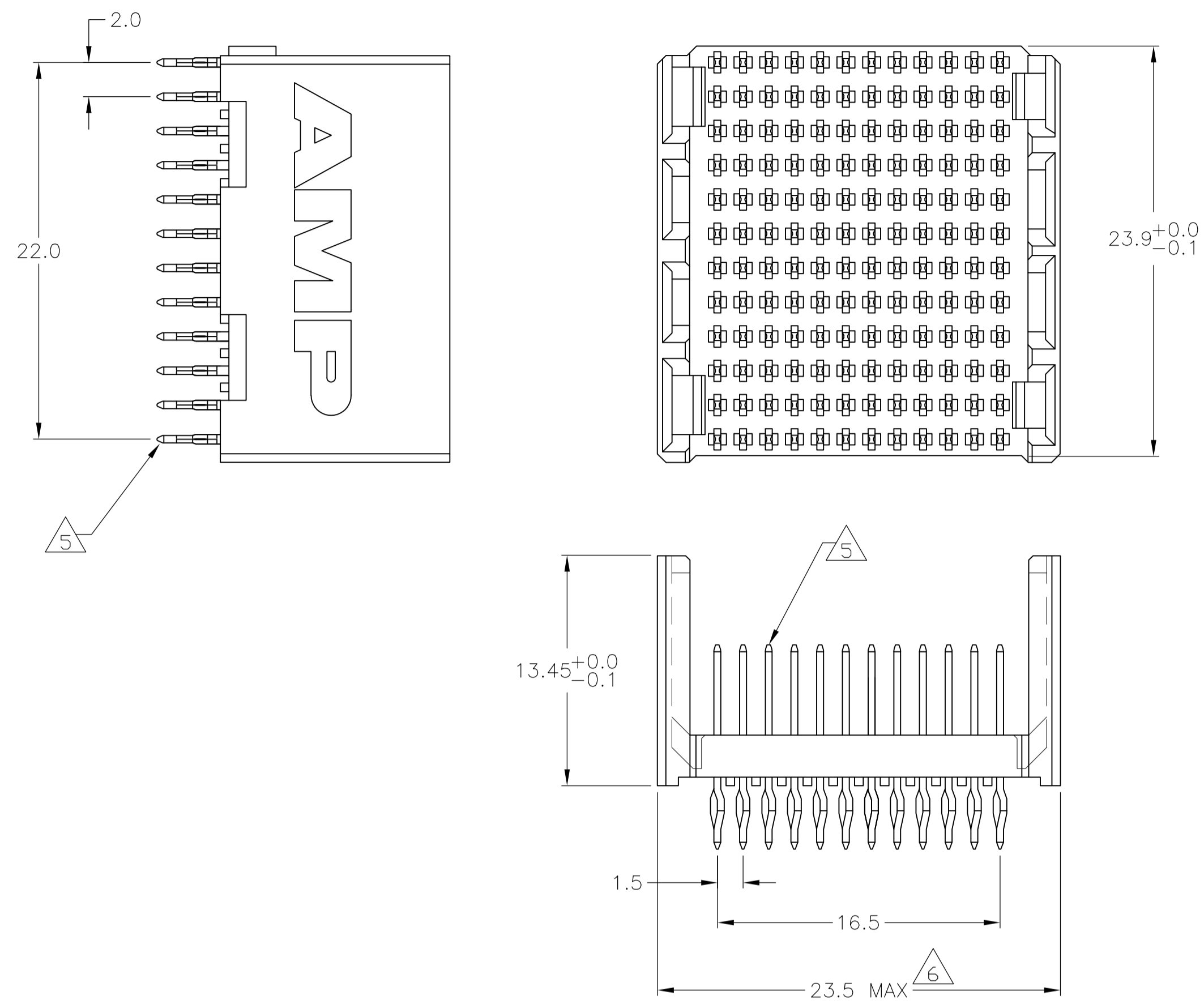
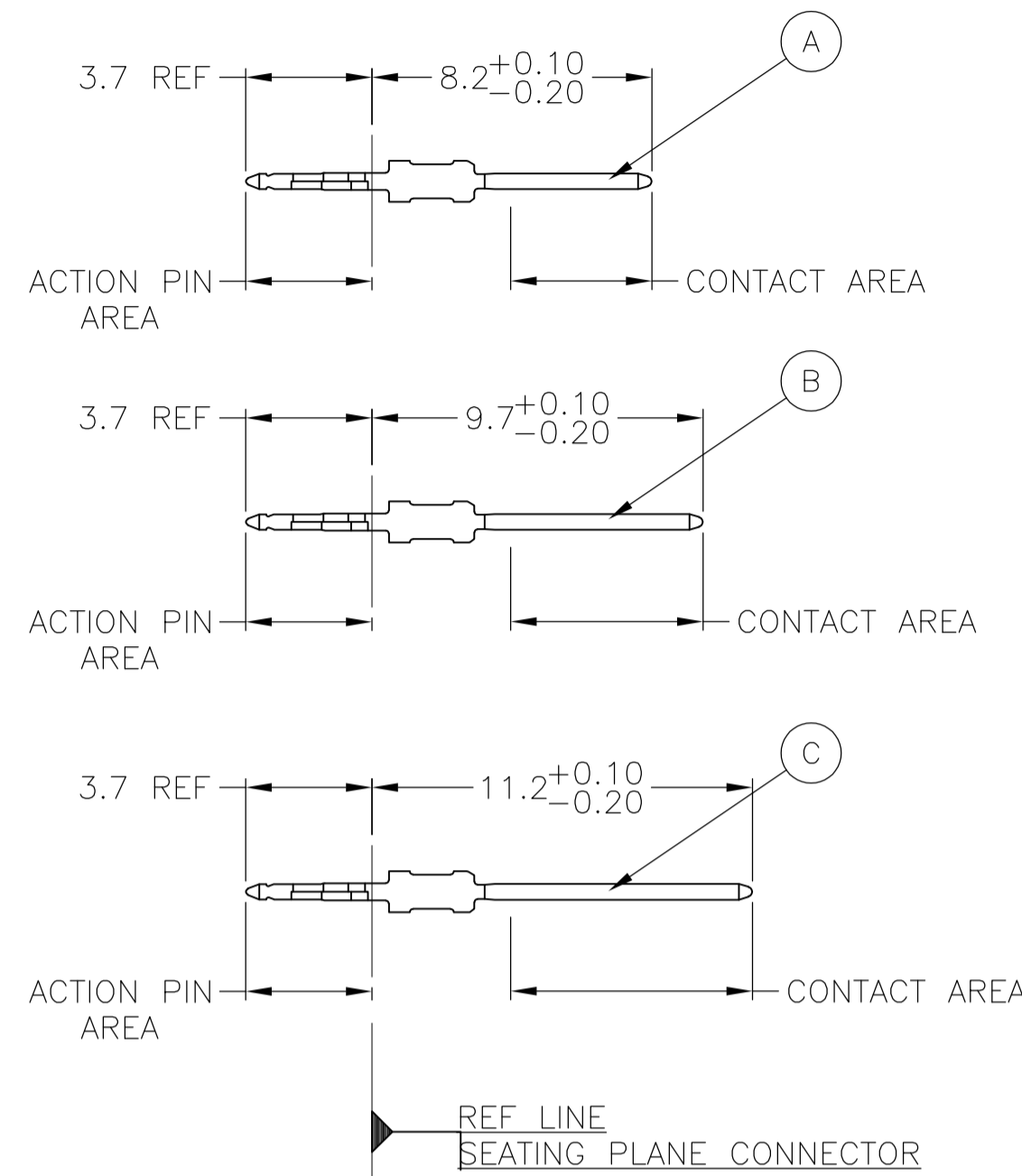


CONNECTOR ASSEMBLY EXAMPLARY LOADED 4

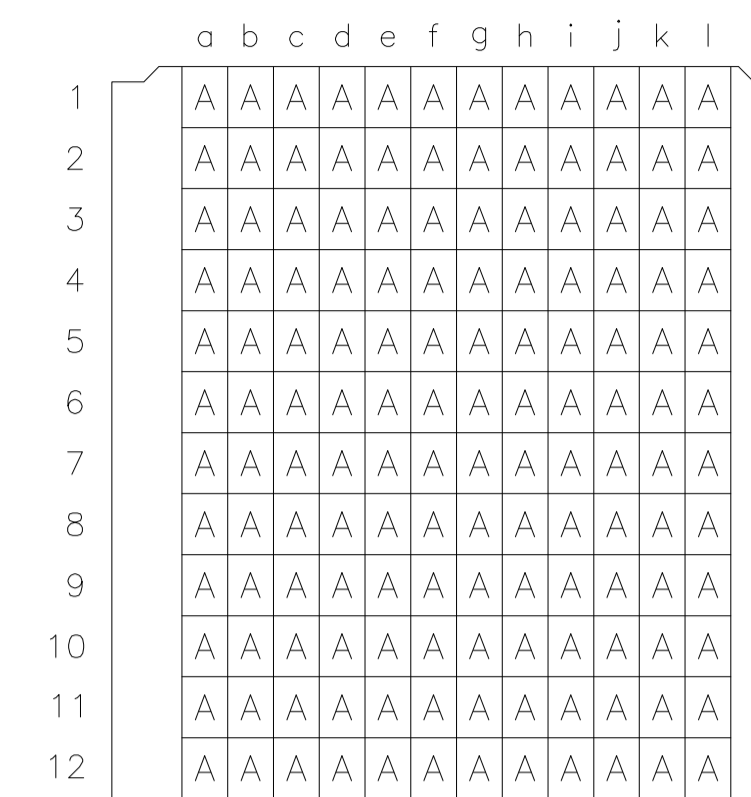


CONTACT DIMENSIONS

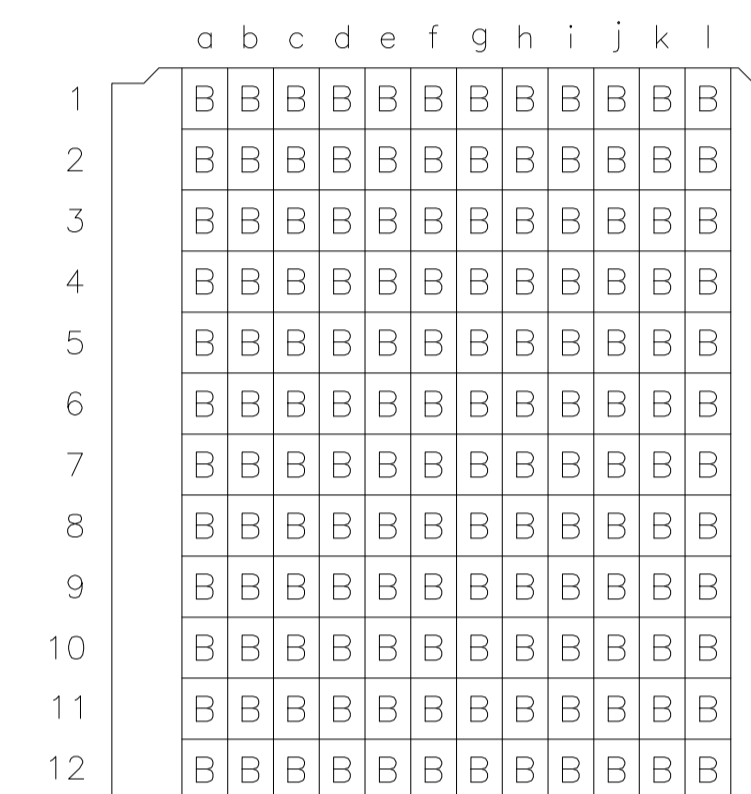
SCALE 5:1



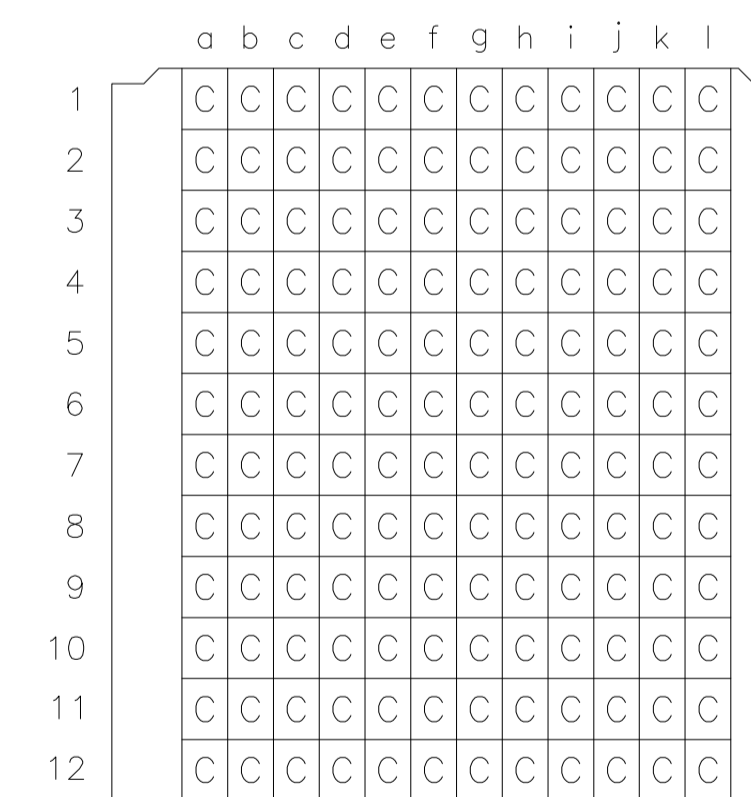
CONTACT LAYOUT



5120638-1 AS SHOWN

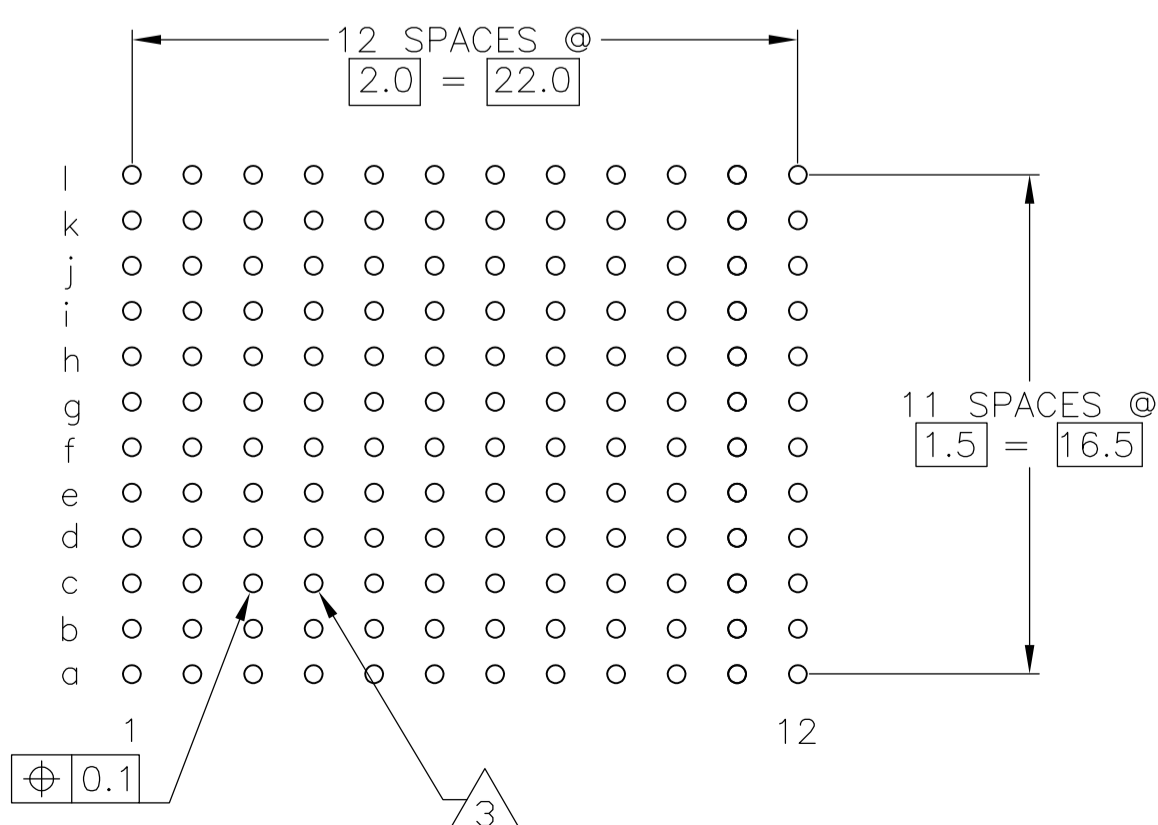


8 OBSOLETE -5120638-2 AS SHOWN



5120638-3 AS SHOWN

RECOMMENDED PCB-HOLE LAYOUT COMPONENT SIDE SHOWN



PLATED THRU HOLES PARAMETERS

REFERENCE APPLICATION SPECIFICATION

- 1 CONFORMS TO ALL TESTING ACCORDING TO IEC 61076-4-101 PERFORMANCE LEVEL 2.
- 2 MATERIAL:
CONTACT: PHOSPHOR BRONZE.
HOUSING: GLASS-FILLED POLYESTER.
- 3 PLATED-THROUGH HOLES AT 2x2mm SQUARE GRID PATTERN DEFINED BY CONTACT LAYOUT.
- 4 FOR ACTUAL PIN LOADING SEE "CONTACT LAYOUT".
- 5 FOR ACTUAL PIN DIMENSIONS SEE "CONTACT DIMENSIONS".
- 6 TO BE MEASURED AT BOTTOM OF SHROUD.
- 7 GENERAL PLATING SPECIFICATION: UNDERPLATING (ENTIRE CONTACT): 1.27µm MIN NICKEL AND ACTION PIN: 0.5µm MIN TIN.
FOR PLATING OF MATING SURFACES SEE APPLICABLE SPECIFICATION REFERENCE FOR EACH DASH NUMBER
- 8 OBSOLETE PARTS: OBSOLETE CIS STREAMLINING PER D.RENAUD/D.SINISI

8 OBSOLETE	5120638-3
8 OBSOLETE	-5120638-2-
8 OBSOLETE	5120638-1
PART NUMBER	

THIS DRAWING IS A CONTROLLED DOCUMENT.		DIN B CARBO 01JUN05		Tyco Electronics Corporation Harrisburg, PA 17105-3608	
DIMENSIONS: mm		TOLERANCES UNLESS OTHERWISE SPECIFIED:		NAME: MALE ASSEMBLY, Z-PACK 2mm HM, TYPE B, 12 ROW	
0-PLC ±		1-PLC ±0.1		PRODUCT SPEC: 108-1738	
2-PLC ±		3-PLC ±		APPLICATION SPEC: 114-1132	
4-PLC ±		5-PLC ±		SIZE: A1	
MATERIAL: 2		FINISH: 1 7		DRAWING NO: 00779	
WEIGHT: -		SCALE: 4:1		SHEET 1 OF 1	
CUSTOMER DRAWING		SCALE: 4:1		REV C	

单击下面可查看定价，库存，交付和生命周期等信息

[>>TE Connectivity\(泰科\)](#)