

4

3

2

1

THIS DRAWING IS UNPUBLISHED.

RELEASED FOR PUBLICATION

-- --

REVISIONS

© COPYRIGHT - TE Connectivity Ltd.

ALL RIGHTS RESERVED.

P	LTR	DESCRIPTION	DATE	DWN	APVD
	B	ECR-18-004254	01APR18	T.Q	W.H

0.50 SQ TYP

DIM. B

2.35

$A \pm 0.10$

2.35

$2 \pm 0.05$  TYP

0.50 TYP

3.50

2.30

1.00 TYP

3.40

1.50 2 PLC

CONNECTOR OUTLINE

RECOMMENDED PCB LAYOUT

DIM. A

2.40

2.00 TYP

0.30 2 PLC

6.00

2.6

5.60

5.50

3.20 2 PLC

0.10 ALL SOLDER TAILS & TABS

1.04g	34.00	28.00	15	1-1734827-5
0.98g	32.00	26.00	14	1-1734827-4
0.93g	30.00	24.00	13	1-1734827-3
0.90g	28.00	22.00	12	1-1734827-2
0.82g	26.00	20.00	11	1-1734827-1
0.78g	24.00	18.00	10	1-1734827-0
0.72g	22.00	16.00	9	1734827-9
0.66g	20.00	14.00	8	1734827-8
0.60g	18.00	12.00	7	1734827-7
0.54g	16.00	10.00	6	1734827-6
0.48g	14.00	8.00	5	1734827-5
0.42g	12.00	6.00	4	1734827-4
0.36g	10.00	4.00	3	1734827-3
0.30g	8.00	2.00	2	1734827-2
WEIGHT	B	A	NO. OF CONTACTS	PART NUMBER

THIS DRAWING IS A CONTROLLED DOCUMENT.

DWN Tommy Qian 01APR2018

CHK Wenke He 01APR2018

APVD Wenke He 01APR2018

PRODUCT SPEC

APPLICATION SPEC

WEIGHT

CUSTOMER DRAWING

DIMENSIONS:

mm

TOLERANCES UNLESS OTHERWISE SPECIFIED:

0 PLC	± -
1 PLC	± 0.25
2 PLC	± 0.15
3 PLC	± 0.10
4 PLC	± -
ANGLES	± 3°

MATERIAL

FINISH

TE Connectivity Ltd.

 2.0 WIRE TO BOARD CONNECTOR,  
 0.5 SQ PIN, HEADER, R/A, SMT

SIZE	CAGE CODE	DRAWING NO	RESTRICTED TO
A3	00779	C=1734827	-

SCALE	SHEET	REV
1:1	1 of 2	B

1470-19 (1/15)

Downloaded From [Onevac.com](http://Onevac.com)

THIS DRAWING IS UNPUBLISHED.

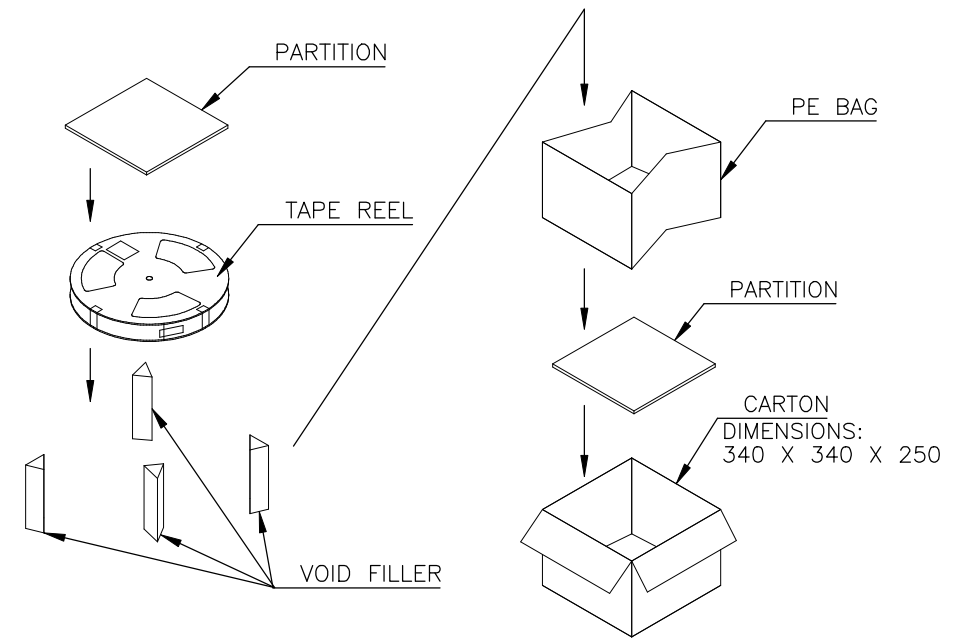
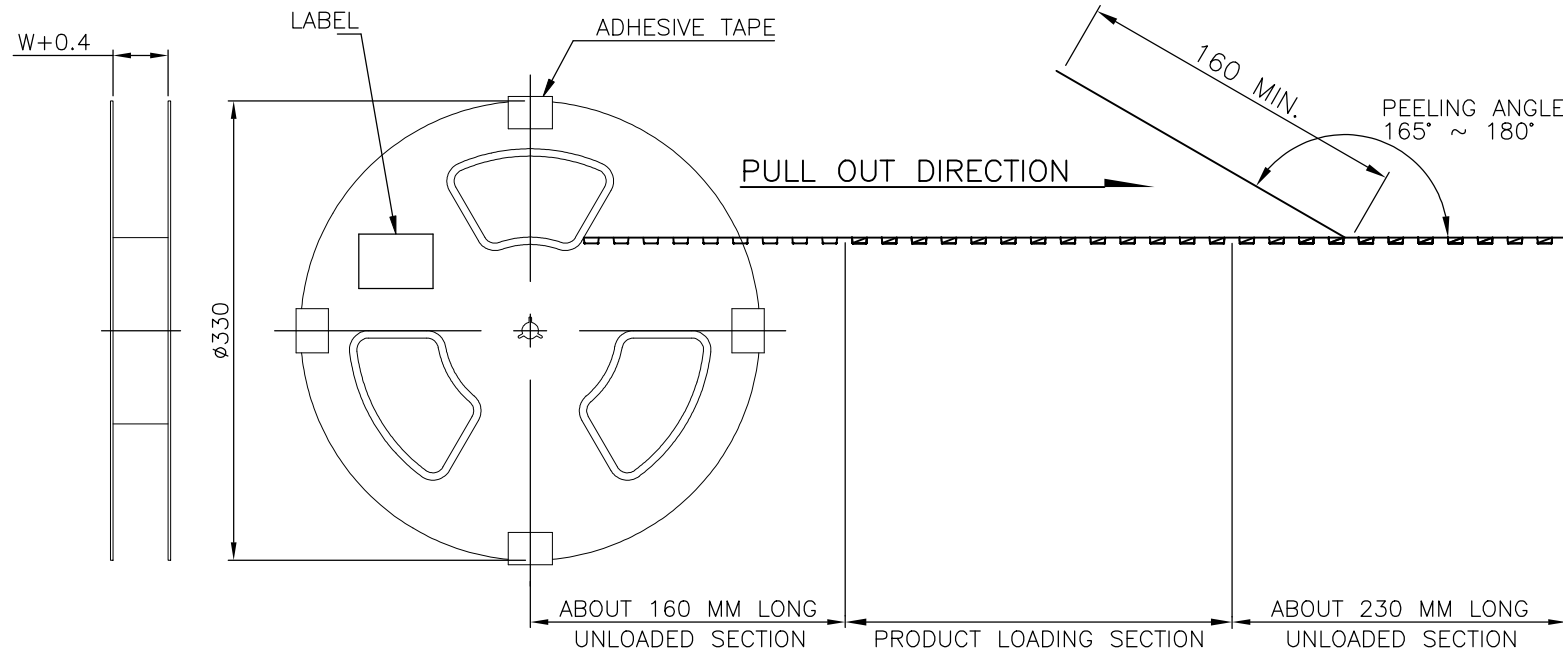
RELEASED FOR PUBLICATION

© COPYRIGHT - TE Connectivity Ltd.

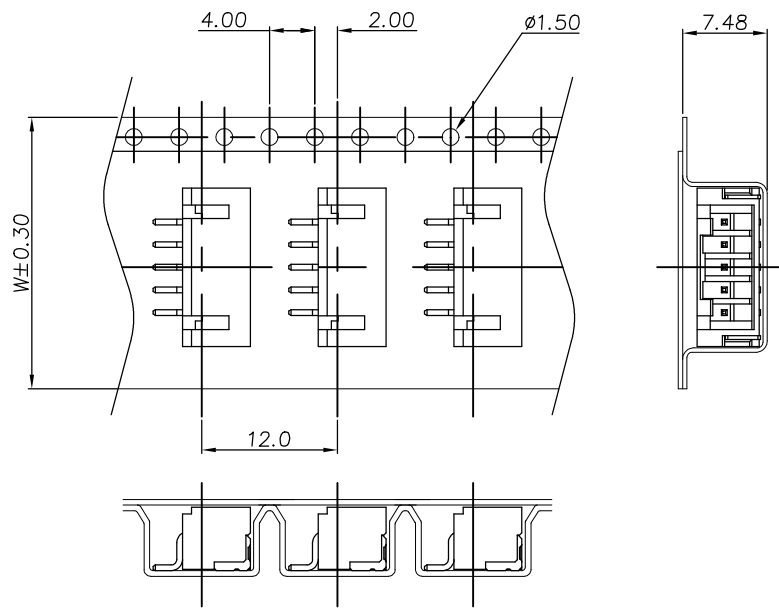
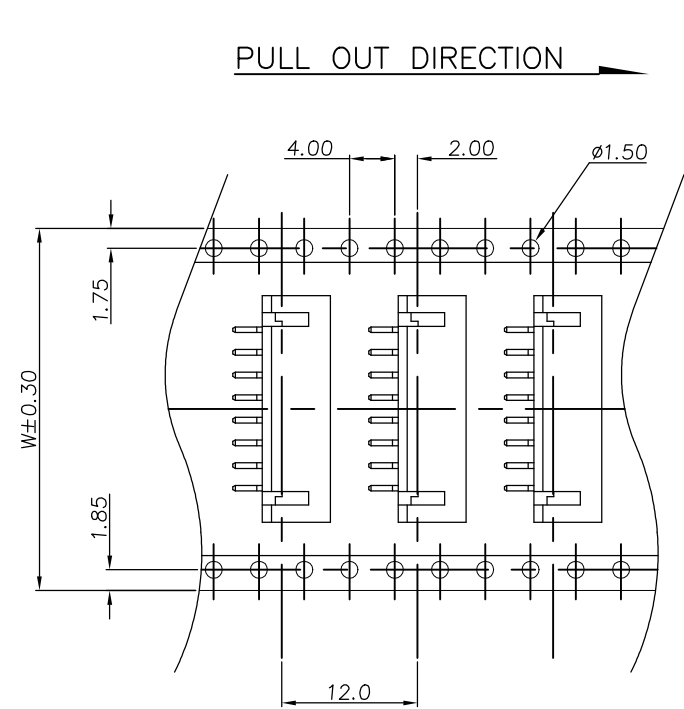
ALL RIGHTS RESERVED.

REVISIONS

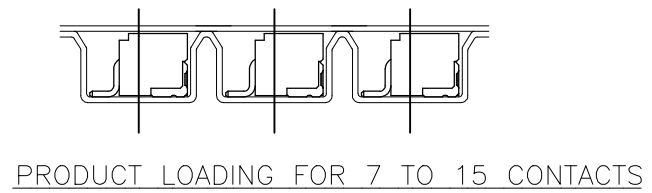
P	LTR	DESCRIPTION	DATE	DWN	APVD
-	-	SEE SHHET1	-	-	-



PULL OUT DIRECTION



PRODUCT LOADING FOR 2 TO 6 CONTACTS



PRODUCT LOADING FOR 7 TO 15 CONTACTS

PCS/TAPE	REELS/CARTON	QUANTITY	DIM W	3.73	2.81	15
				3.57	2.65	14
900	4	3600	44	3.43	2.51	13
				4.20	3.24	12
				3.91	2.95	11
900	6	5400	32	3.77	2.81	10
				4.68	3.90	9
				4.68	3.56	8
900	7	6300	24	4.28	3.24	7
				4.48	3.40	6
				4.10	3.02	5
				3.73	2.65	4
				3.35	2.27	3
				2.97	1.89	2
PCS/TAPE	REELS/CARTON	QUANTITY	DIM W	G/W (KG)	N/W (KG)	NO. OF CONTACTS

THIS DRAWING IS A CONTROLLED DOCUMENT.		DWN Tommy Qian 01APR2018	TE Connectivity Ltd.			
DIMENSIONS: mm		CHK Wenke He 01APR2018				
TOLERANCES UNLESS OTHERWISE SPECIFIED:		APVD Wenke He 01APR2018	NAME			
0 PLC $\pm -$		PRODUCT SPEC	2.0 WIRE TO BOARD CONNECTOR, 0.5 SQ PIN, HEADER, R/A, SMT			
1 PLC $\pm 0.25$		APPLICATION SPEC	SIZE	CAGE CODE	DRAWING NO	RESTRICTED TO
2 PLC $\pm 0.15$			A3	00779	C=1734827	-
3 PLC $\pm 0.10$		WEIGHT	-			
4 PLC $\pm -$		CUSTOMER DRAWING	SCALE	SHEET	REV	
ANGLES $\pm 3'$			1:1	2 OF 2	B	
MATERIAL						
FINISH						

单击下面可查看定价，库存，交付和生命周期等信息

[>>TE Connectivity\(泰科\)](#)