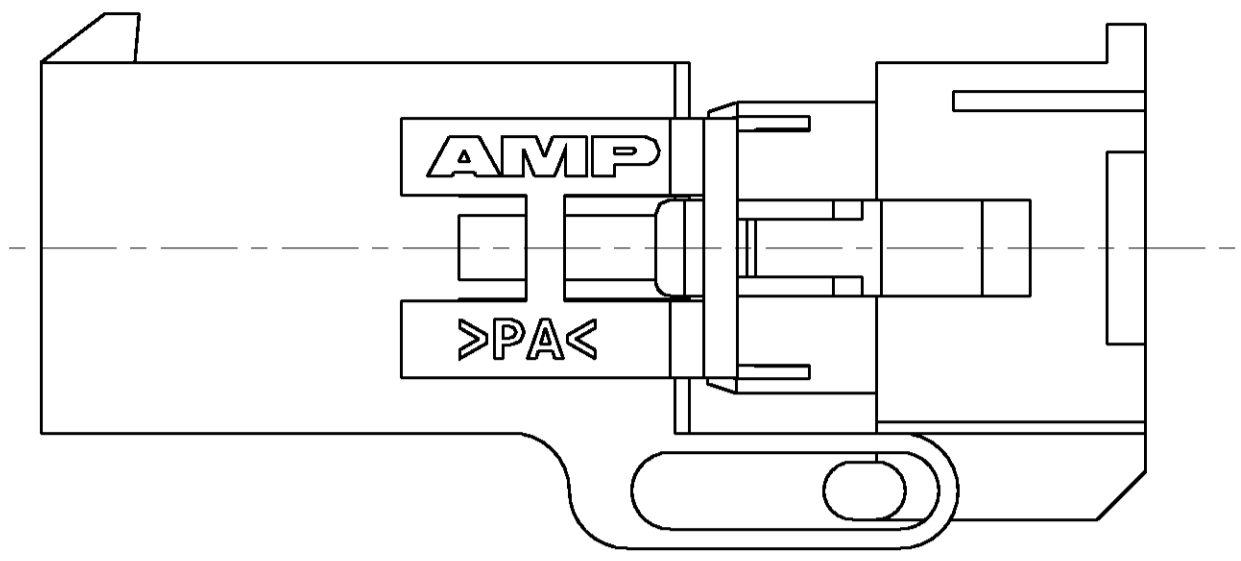
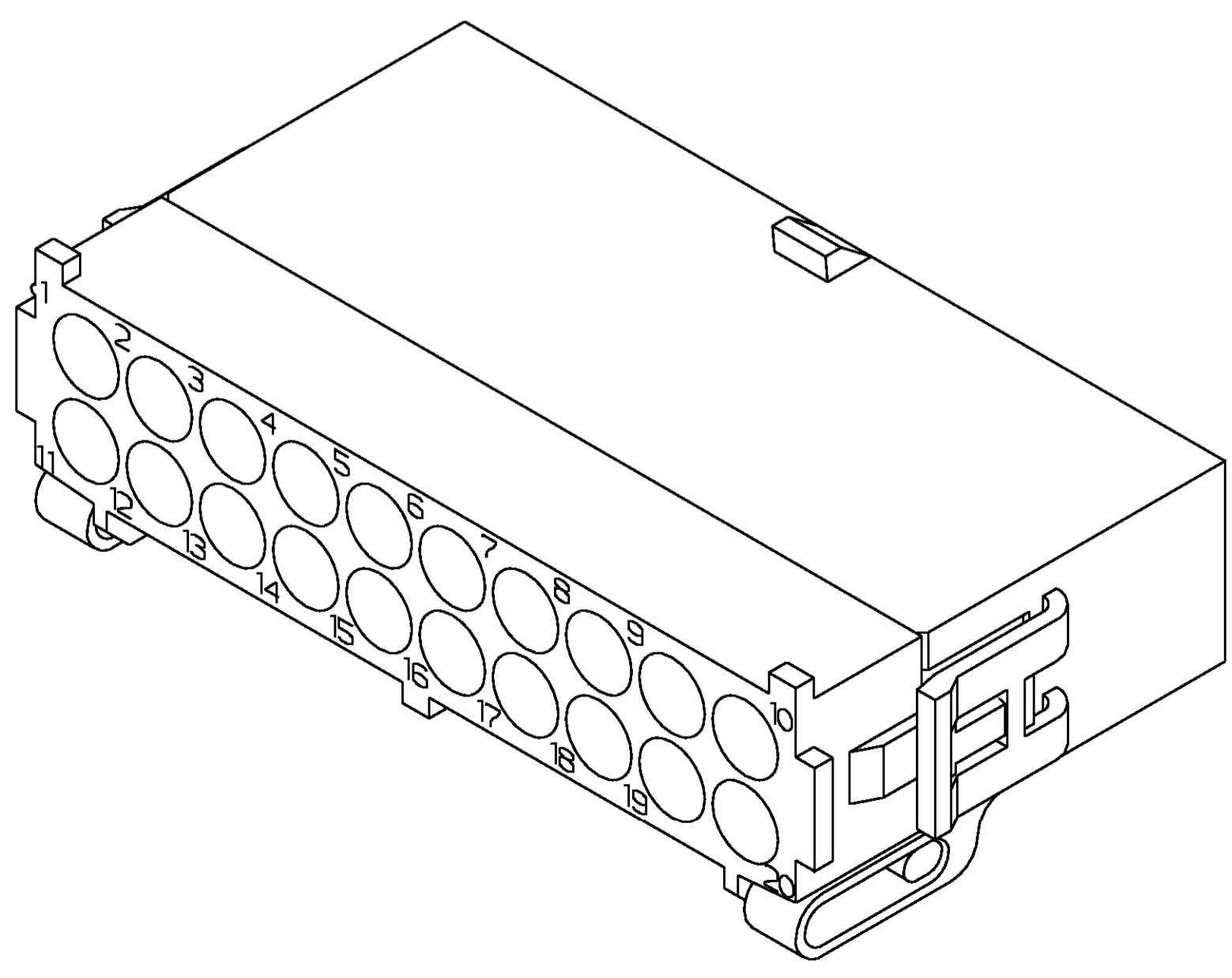
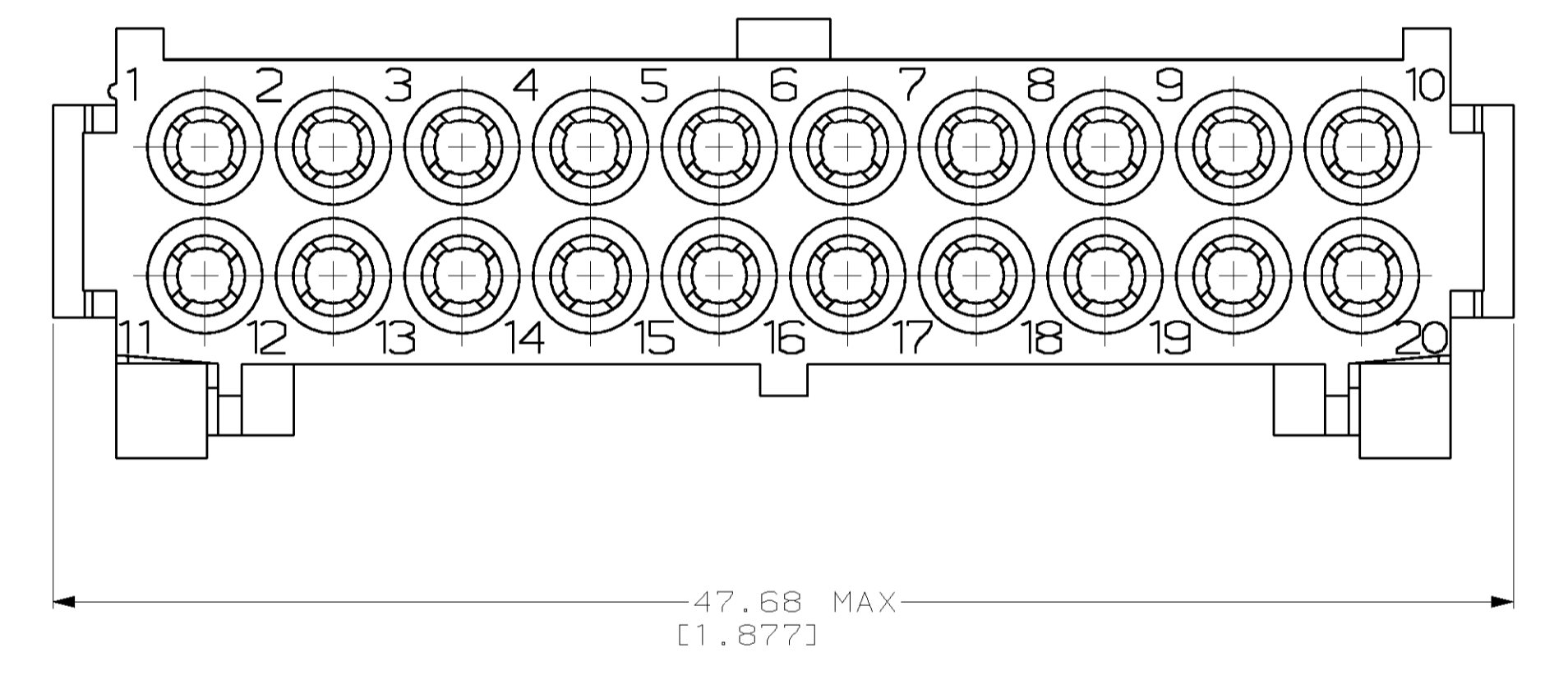
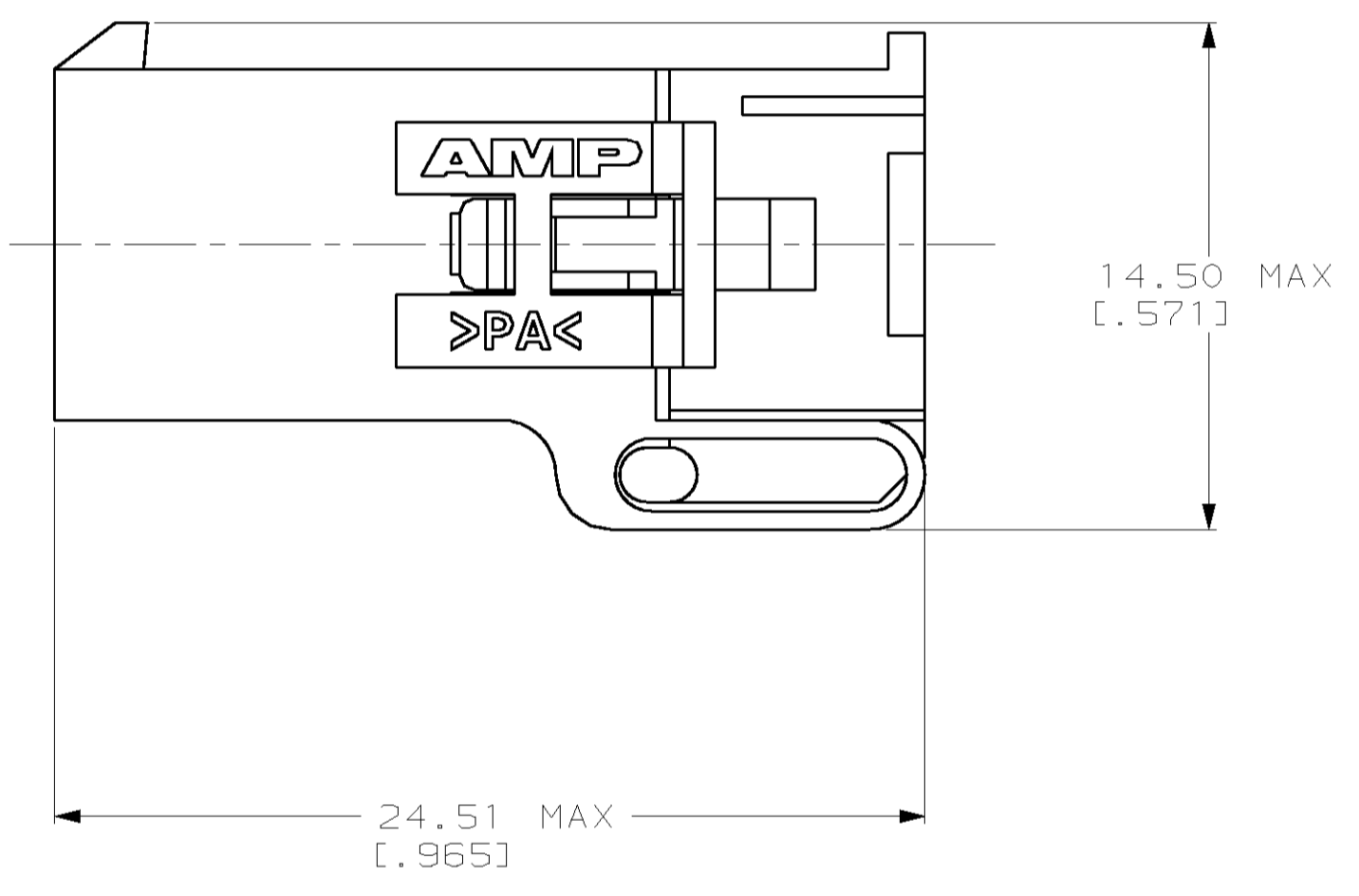
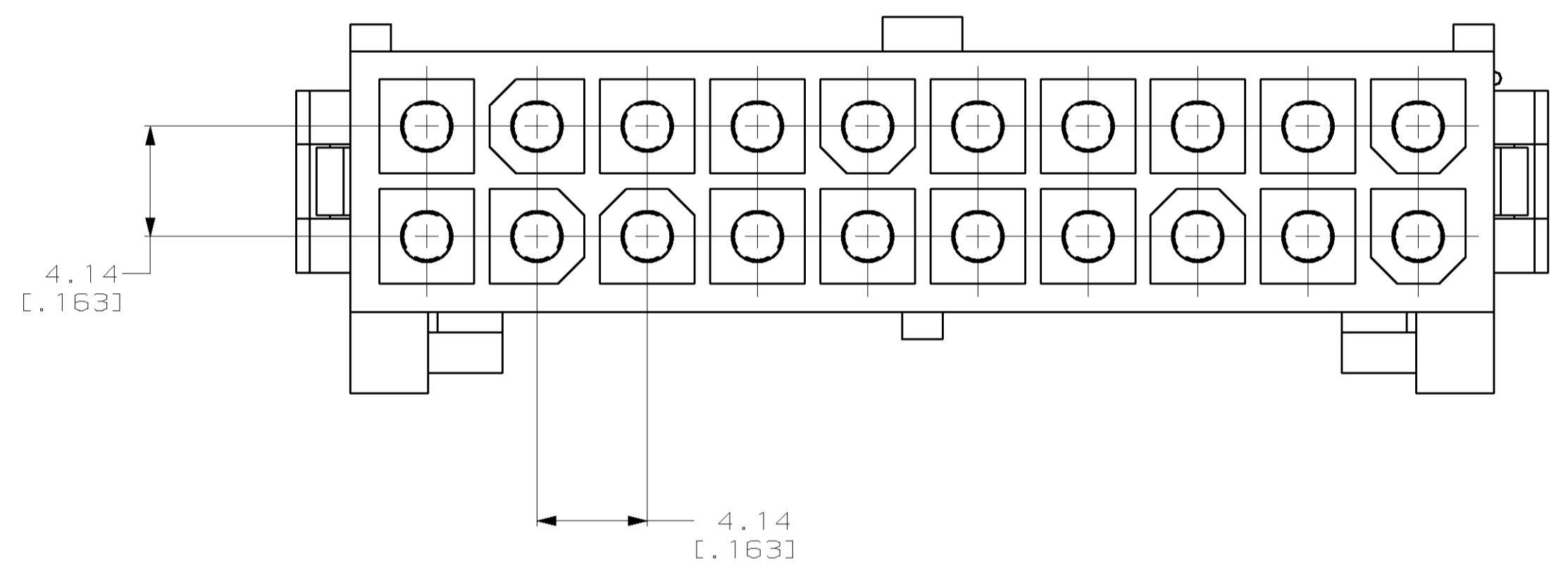


LOC		DIST		REVISIONS			
F	CHR	DATE	BY	APPROV	REV	PER	EC
B		23-SEP-99	KW	KC	1	REV	061B-0094-99



PRE-STAGED CONDITION

1. DIMENSIONS IN BRACKETS ARE IN INCHES.



3-DIMENSIONAL MODEL
NTS

794264-1
PART NUMBER



THIS DRAWING IS A CONTROLLED DOCUMENT.		DWN K. WHITAKER 5-20-97	AMP Incorporated Harrisburg, PA 17105-3608
DIMENSIONS: mm		CHK R. SWING 5-20-97	
TOLERANCES UNLESS OTHERWISE SPECIFIED:		APPROV S. ORSTAD 5-20-97	NAME CAP, 20 CIRCUIT, MINI UNIVERSAL MATE-N-LOK™ 2
0 PLC ±-	1 PLC ±-	PRODUCT SPEC	SIZE CAGE CODE DRAWING NO
2 PLC ±-	3 PLC ±0.13 (.005)	APPLICATION SPEC	A1 00779 C-794264
4 PLC ±-	ANGLES ±-	FINISH	RESTRICTED TO
MATERIAL NYLON, UL 94V-2,NATURAL	FINISH	WEIGHT	SCALE 5:1 SHEET 1 OF 1 REV B
CUSTOMER DRAWING			

单击下面可查看定价，库存，交付和生命周期等信息

[>>TE Connectivity\(泰科\)](#)