

4

3

2

1

THIS DRAWING IS UNPUBLISHED.

RELEASED FOR PUBLICATION

20

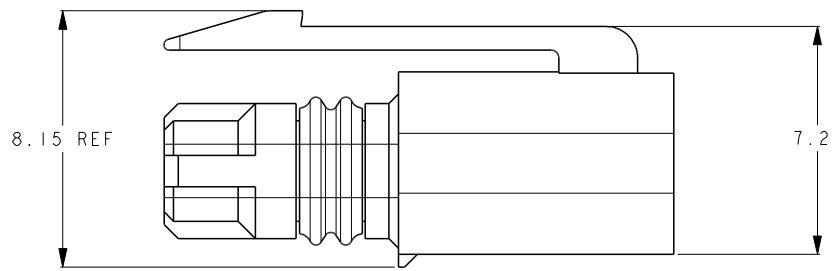
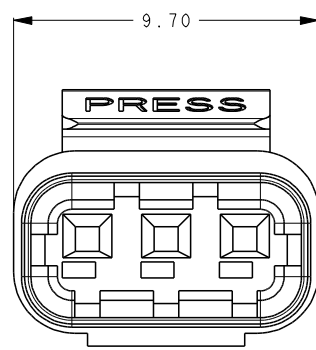
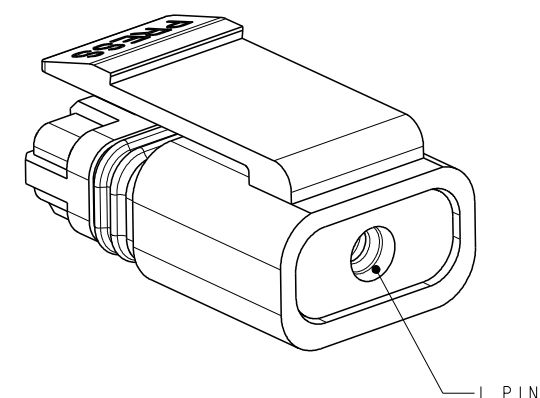
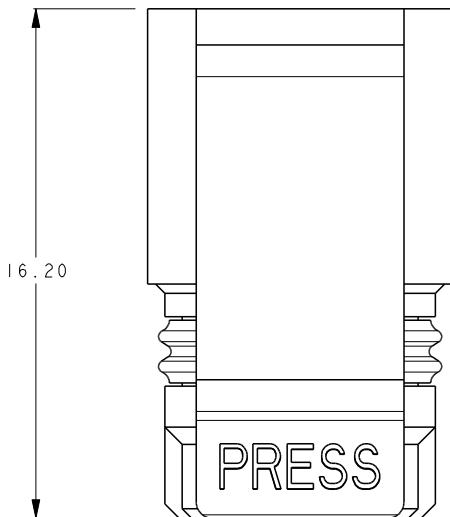
© COPYRIGHT 20

ALL RIGHTS RESERVED.

ES

REVISIONS

P	LTR	DESCRIPTION	DATE	DWN	APVD
A		INITIAL RELEASE	15JUL2016	Z.W	X.X
B		ADD NEW I POS PART NUMBERS	20JUN2017	Z.W	S.M
C		UPDATE PACKAGE SPEC	2JAN2018	Z.W	S.M



- NOTES:
- 1. MATERIAL: THERMOPLASTIC, UL94-V0.
 - 2. HOUSING: RUBBER.
 - 3. SEAL: RUBBER.
 - 4. PART NUMBER: SEE TABLE
 - 5. PACKAGING: TRAY.
 - 6. PACKAGING SPEC: 107-137093.

GRAY	I	4-2834074-1
RED	I	3-2834074-1
BLACK	I	2-2834074-1
WHITE	I	1-2834074-1
COLOR	NO OF POSN	PART NUMBER

Ⓑ

THIS DRAWING IS A CONTROLLED DOCUMENT.		DWN	15JULY2016	STE TE Connectivity	
		CHK	ZHANG WEI		
		APVD	15JULY2016	NAME PLUG MINIATURE WATERPROOF CONNECTOR	
			SHI MING		
		PRODUCT SPEC	108-137093	SIZE	
		APPLICATION SPEC	114-137093		
		WEIGHT	-	CAGE CODE	A300779
		CUSTOMER DRAWING		DRAWING NO	Ⓒ=2834074
				RESTRICTED TO	-
				SCALE	5:1
				SHEET	1 OF 4
				REV	C

4

3

2

1

THIS DRAWING IS UNPUBLISHED.

RELEASED FOR PUBLICATION

20

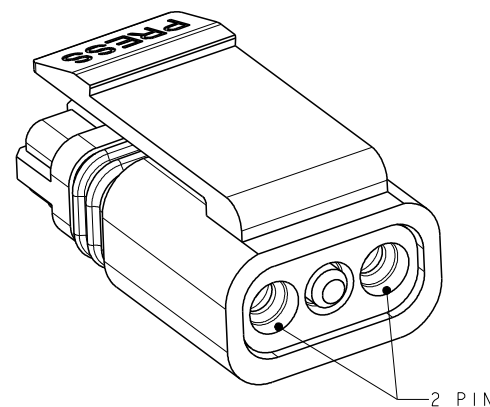
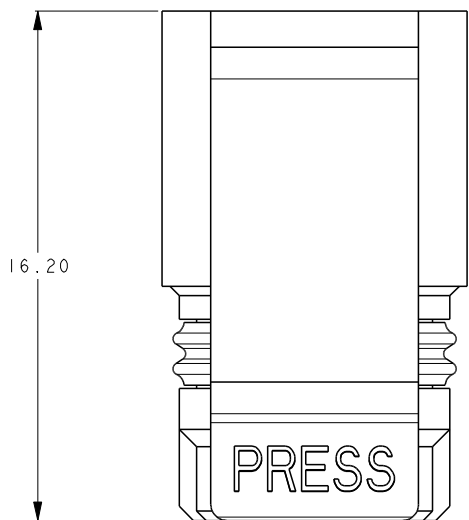
© COPYRIGHT 20

ALL RIGHTS RESERVED.

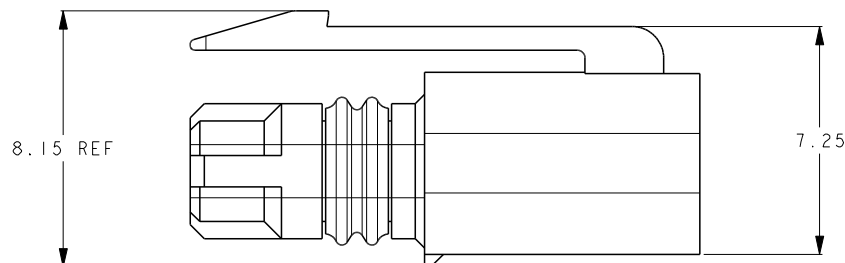
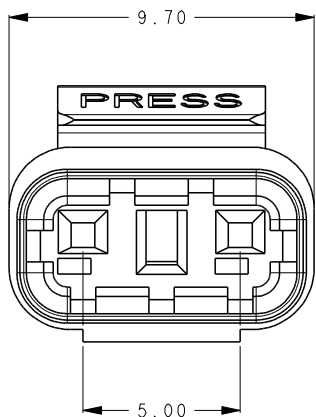
ES

REVISIONS

P	LTR	DESCRIPTION	DATE	DWN	APVD
		SEE SHEET 1			




2 PIN



- NOTES:
 △ MATERIAL:
 HOUSING: THERMOPLASTIC, UL94-V0.
 SEAL: RUBBER.
 2. PART NUMBER: SEE TABLE
 3. PACKAGING: TRAY.
 4. PACKAGING SPEC: 107-137093.

GRAY	2	4-2834074-2
RED	2	3-2834074-2
BLACK	2	2-2834074-2
WHITE	2	1-2834074-2
COLOR	NO OF POSN	PART NUMBER

THIS DRAWING IS A CONTROLLED DOCUMENT.		DWN	15JULY2016	 TE Connectivity	
DIMENSIONS:		CHK	15JULY2016		
mm		APVD	15JULY2016		
TOLERANCES UNLESS OTHERWISE SPECIFIED:		NAME			
± 0.5		PRODUCT SPEC		PLUG	
0-PLC ±		APPLICATION SPEC	108-137093	MINIATURE WATERPROOF CONNECTOR	
1-PLC ±		WEIGHT	-	SIZE	A300779
2-PLC ±		CUSTOMER DRAWING		CAGE CODE	C=2834074
3-PLC ±				DRAWING NO	
4-PLC ±				RESTRICTED TO	
ANGLES ±5°				SCALE	5:1
MATERIAL	FINISH			SHEET	2 OF 4
△				REV	C

4

3

2

1

THIS DRAWING IS UNPUBLISHED.

RELEASED FOR PUBLICATION

20

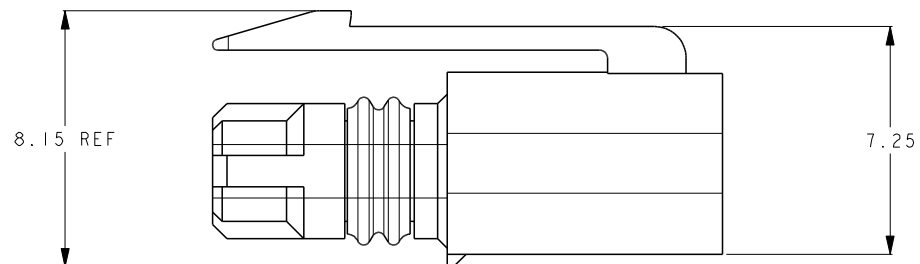
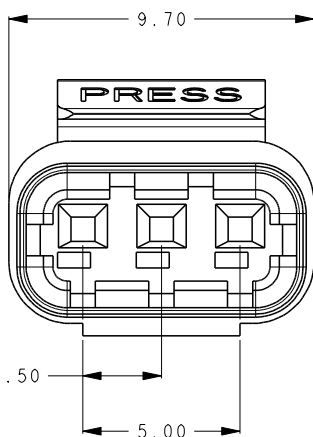
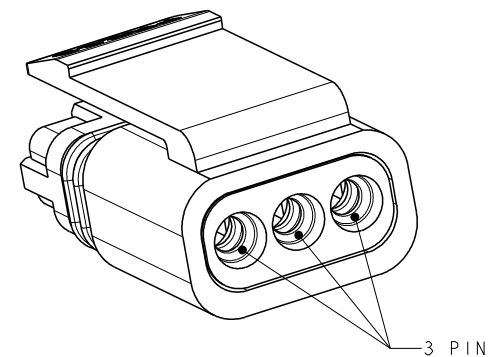
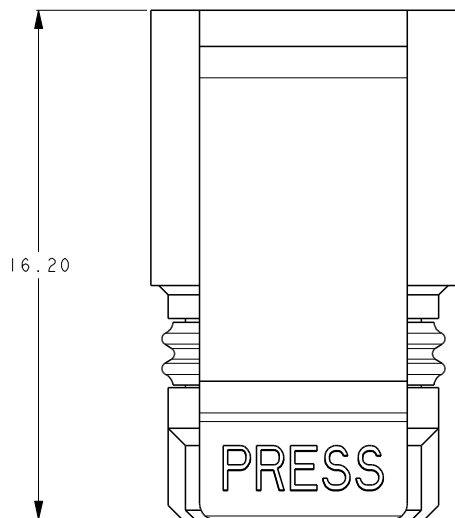
© COPYRIGHT 20

ALL RIGHTS RESERVED.

ES


REVISIONS

P	LTR	DESCRIPTION	DATE	DWN	APVD
		SEE SHEET 1			



- NOTES:
 △ MATERIAL:
 HOUSING: THERMOPLASTIC, UL94-V0.
 SEAL: RUBBER.
 2. PART NUMBER: SEE TABLE
 3. PACKAGING: TRAY.
 4. PACKAGING SPEC: 107-137093.

GRAY	3	4-2834074-3
RED	3	3-2834074-3
BLACK	3	2-2834074-3
WHITE	3	1-2834074-3
COLOR	NO OF POSN	PART NUMBER

THIS DRAWING IS A CONTROLLED DOCUMENT.		DWN	15 JULY 2016	 TE Connectivity	
DIMENSIONS: mm		CHK	15 JULY 2016		
TOLERANCES UNLESS OTHERWISE SPECIFIED: ± 0.5		APVD	15 JULY 2016		
0-PLC ± 1-PLC ± 2-PLC ± 3-PLC ± 4-PLC ± ANGLES ±5°		NAME	PLUG MINIATURE WATERPROOF CONNECTOR		
MATERIAL		PRODUCT SPEC	108-137093	SIZE	A3
FINISH		APPLICATION SPEC	114-137093	CAGE CODE	00779
△		WEIGHT	-	DRAWING NO	C=2834074
		CUSTOMER DRAWING		RESTRICTED TO	-
		SCALE	5:1	SHEET	3 OF 4
				REV	C

THIS DRAWING IS UNPUBLISHED.

RELEASED FOR PUBLICATION

20

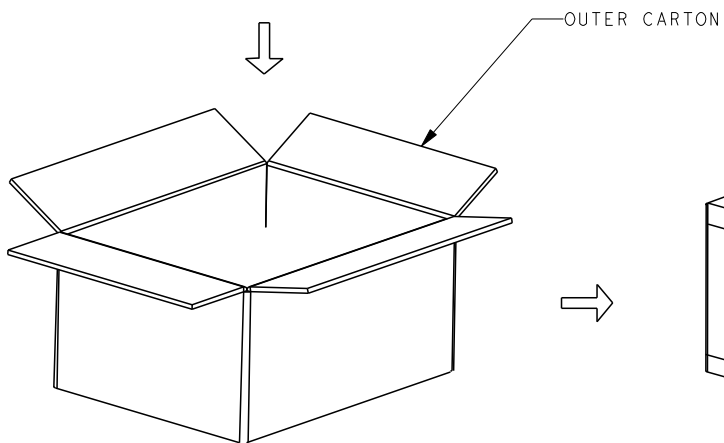
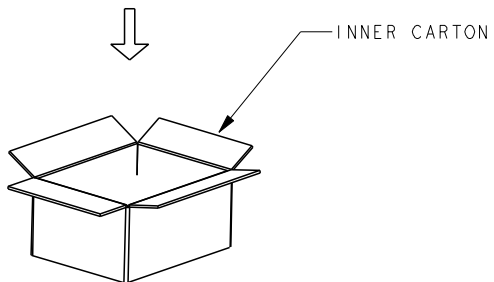
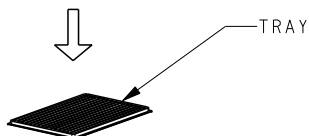
© COPYRIGHT 20

ALL RIGHTS RESERVED.

ES

REVISIONS

P	LTR	DESCRIPTION	DATE	DWN	APVD
		SEE SHEET 1			



- NOTE:
1. PUT PARTS IN THE TRAY.
 2. PUT 4 PACKED TRAYS INTO ONE INNER CARTON. PUT 4 INNER CARTONS INTO ONE OUTER CARTON. TOTAL 16 PACKED TRAYS.
 3. SEAL THE CARTON
 4. PACKAGING QUANTITY: SEE TABLE.
 5. PACKAGING SPEC : 107-137093.

PART NUMBER	PARTS PER TRAY	TRAYS PER INNER CARTON	PARTS PER INNER CARTON	TRAYS PER OUTER CARTON	PARTS PER CARTON
1-2834074-1	360 PCS	4	1440 PCS	16	5760 PCS
2-2834074-1	360 PCS	4	1440 PCS	16	5760 PCS
3-2834074-1	360 PCS	4	1440 PCS	16	5760 PCS
4-2834074-1	360 PCS	4	1440 PCS	16	5760 PCS
1-2834074-2	360 PCS	4	1440 PCS	16	5760 PCS
2-2834074-2	360 PCS	4	1440 PCS	16	5760 PCS
3-2834074-2	360 PCS	4	1440 PCS	16	5760 PCS
4-2834074-2	360 PCS	4	1440 PCS	16	5760 PCS
1-2834074-3	360 PCS	4	1440 PCS	16	5760 PCS
2-2834074-3	360 PCS	4	1440 PCS	16	5760 PCS
3-2834074-3	360 PCS	4	1440 PCS	16	5760 PCS
4-2834074-3	360 PCS	4	1440 PCS	16	5760 PCS

THIS DRAWING IS A CONTROLLED DOCUMENT.

DIMENSIONS: mm



TOLERANCES UNLESS OTHERWISE SPECIFIED: ±0.5

- 0-PLC ±
- 1-PLC ±
- 2-PLC ±
- 3-PLC ±
- 4-PLC ±
- ANGLES ±5°

MATERIAL

FINISH

DWN	15JULY2016
CHK	ZHANG WEI
APVD	15JULY2016
NAME	SHI MING
PRODUCT SPEC	XU XIANG
APPLICATION SPEC	108-137093
WEIGHT	114-137093
CUSTOMER DRAWING	



PLUG MINIATURE WATERPROOF CONNECTOR

SIZE	CAGE CODE	DRAWING NO	RESTRICTED TO
A3	00779	©=2834074	-
SCALE 5:1		SHEET 4 OF 4	REV C

单击下面可查看定价，库存，交付和生命周期等信息

[>>TE Connectivity\(泰科\)](#)