

THIS DRAWING IS UNPUBLISHED. RELEASED FOR PUBLICATION
 © COPYRIGHT 2002 BY TYCO ELECTRONICS CORPORATION. ALL RIGHTS RESERVED.

LOC	DIST	REVISIONS						
		P	LTR	DESCRIPTION	ECN	DATE	DWN	APVD
J			0	RELEASED	FJ00-1549-02	30JUL2002	T.Y	N.S
			A	REVISED	FJ00-1725-02	7OCT2002	T.Y	N.S

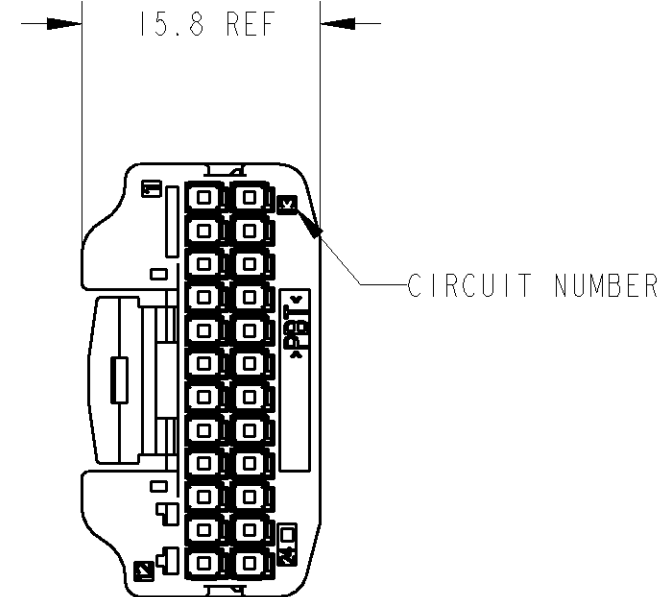
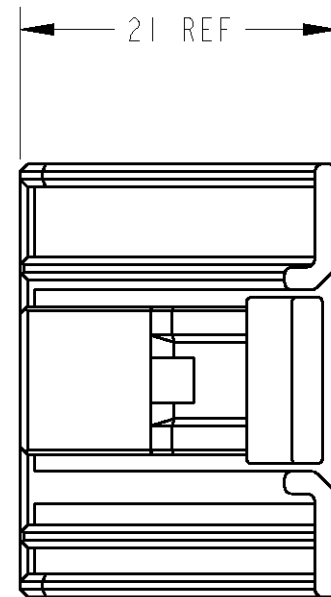
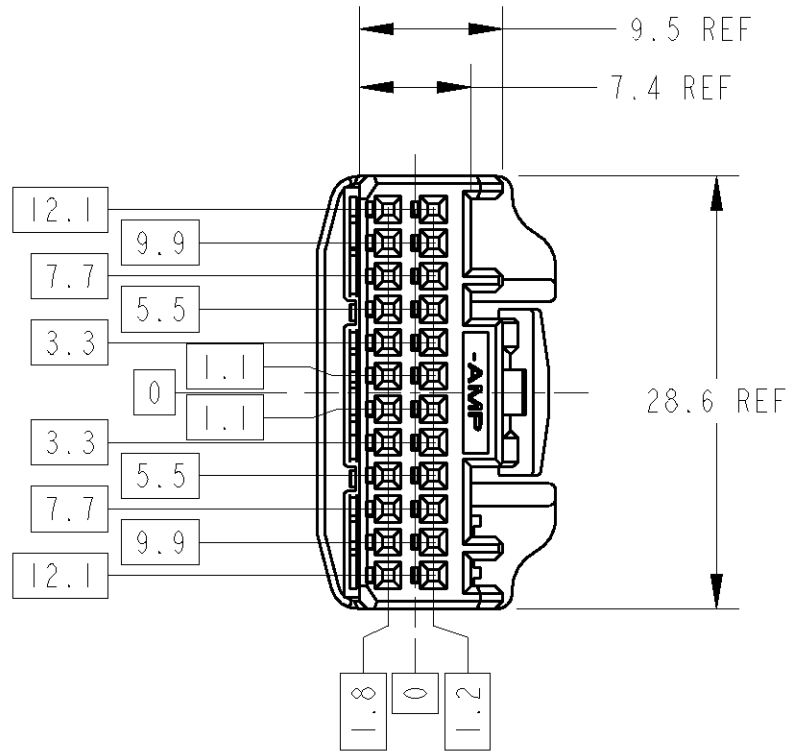


TABLE - 1

POS 極数	CAP ASSEMBLY PART NO キャップ 型番
24	1612904-X

TABLE - 2

		TERMINAL NO 端子型番	APPLICABLE WIRE RANGE 適用電線
SIGNAL 025	TIN	1123343-1	AVSS/CAVUS 0.3~0.5mm ² AVSSH-f 0.3~0.5mm ² CAVS 0.22~0.5mm ²

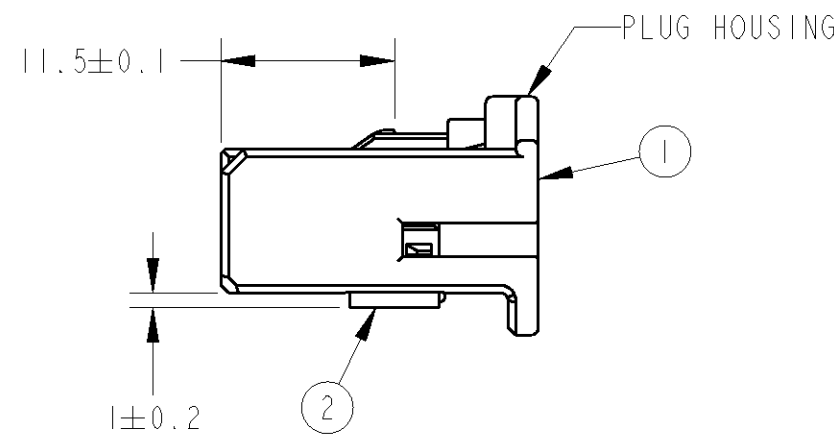


TABLE - 3

PLASTIC BAG ビニール袋	INNER 内装	PACKING STYLE 梱包形態		
		PAPER BOX ダンボール箱	OUTER 外表	
I	GRAY	24P RETAINER	1318919-2	2
I	GRAY	24P PLUG HOUSING	1612907-1	1
1612906-1	FINISH/COLOR	NAME	PART NO.	NO.

1. RETAINER SHOULD BE SET TO THE PRE- ASSEMBLY POSITION WITHIN THE PLUG HOUSING WHEN SHIPPED TO THE CUSTOMER
2. THE RETENTION LATCH OF THE RETAINER MUST BE OUT SIDE OF PLUG HOUSING WHEN PRE-ASSEMBLY
3. RETAINER RETENTION FORCE FROM HOUSING : 20N MIN
4. INSTRUCTION SHEET NO : 411-5928
5. PART NUMBER OF CAP HOUSING TO BE MATED : SEE TABLE -1
6. APPLIED TERMINAL : SEE TABLE -2
7. THIS PRODUCT DIFFERS IN KEYING(RIB) POSITION FROM P/N:1318917-X.

1. プラグハウジングにリテーナーを仮止して出荷する
2. 仮止時リテーナー突起がハウジングの外側に出ていること
3. リテーナーの仮止保持力は 20N 以上
4. 取扱説明書 NO : 411-5928
5. 嵌合相手型番は TABLE -1参照
6. 適用端子は TABLE -2参照
7. 本製品は型番 : 1318917-Xのキーイング(リブ位置)違いである。

THIS DRAWING IS A CONTROLLED DOCUMENT FOR TYCO ELECTRONICS CORPORATION IT IS SUBJECT TO CHANGE AND THE CONTROLLING ENGINEERING ORGANIZATION SHOULD BE CONTACTED FOR THE LATEST REVISION.

DIMENSIONS: 単位: 概 mm	TOLERANCES UNLESS OTHERWISE SPECIFIED: 一般公差±0.3	DWN 30JUL2002 T. YAMAMOTO	Tyco Electronics AMP K.K. Kawasaki, Japan
		CHK 30JUL2002 T. KOHNO	
		APVD 30JUL2002 N. SAI	NAME 名称
		PRODUCT SPEC 製品規格 108-5668	025 SERIES 24POSITION PLUG HOUSING ASSEMBLY
		APPLICATION SPEC 取付適用規格 114-5250	SIZE CAGE CODE DRAWING NO 番号
MATERIAL 材料 PBT	FINISH 仕上 SEE TABLE-3	WEIGHT 3.68 g	A3 00779 C-1612906
CUSTOMER DRAWING		SCALE 尺度 2:1	SHEET 1 OF 1 REV A

单击下面可查看定价，库存，交付和生命周期等信息

[>>TE Connectivity\(泰科\)](#)