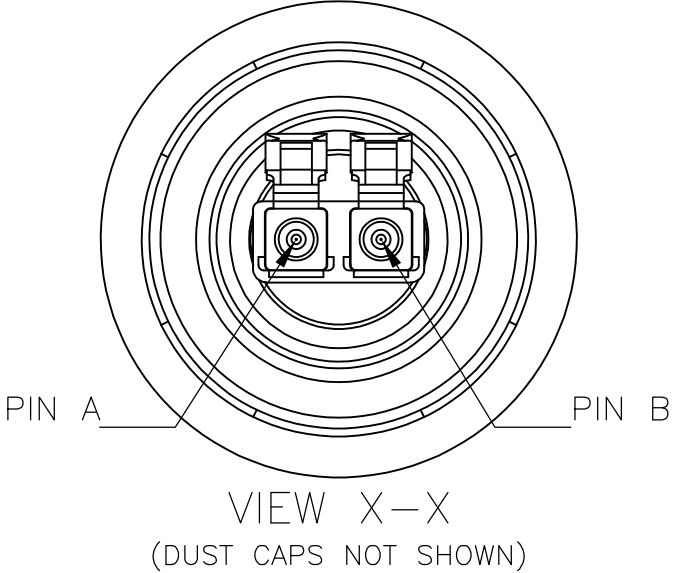
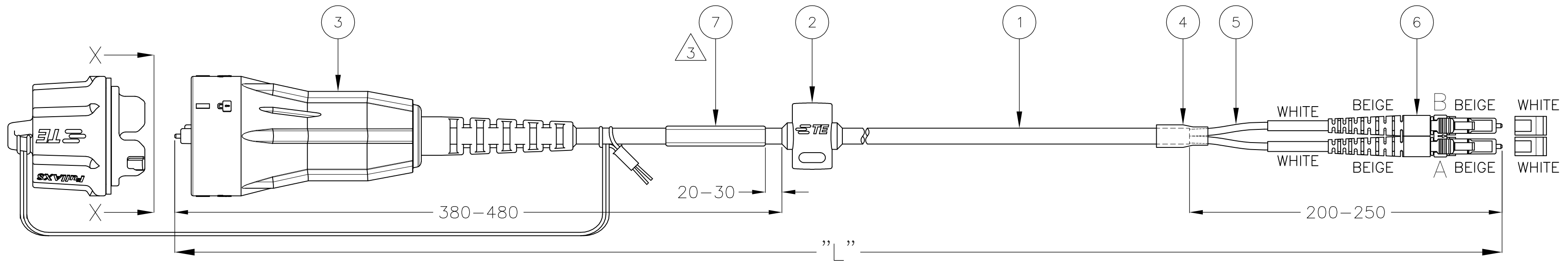


THIS DRAWING IS UNPUBLISHED. RELEASED FOR PUBLICATION
 © COPYRIGHT - By - ALL RIGHTS RESERVED.

REVISIONS					
P	LTR	DESCRIPTION	DATE	DWN	APVD
B		ECR-17-008525	13JUN2017	HZ	RS



ASSEMBLY CONNECTIVITY	
FULLAXS LC	LC CONN.
PIN A	B
PIN B	A

STANDARD LENGTHS ACCORDING TO CUSTOMER DRAWING 1206850	
PART NUMBER	"L" (meter)
X-2061506-Y	XY.0
9-2061506-9	100.0 -0/+3.0
9-2061506-8	150.0 -0/+3.0
9-2061506-7	200.0 -0/+3.0
9-2061506-6	250.0 -0/+3.0
9-2061506-5	300.0 -0/+3.0
9-2061506-1	500.0 -0/+3.0

NOTES:

- 1 MAX. CONNECTOR ATTENUATION 0.3 dB, MEASURED AT 850 nm ACCORDING TO I.E.C. 61300-3-4 INSERTION METHOD B
- 2 MIN. RETURN LOSS 25 dB, IN MATED CONDITION AGAINST REFERENCE CONNECTOR AT 850 nm
- 3 INFORMATION ON LABEL, SEE DETAIL FOR EXAMPLE
 - BARCODE
 - UNIQUE TE SERIAL NUMBER
 - ASSEMBLY LENGTH
 - TE CONNECTIVITY PART NUMBER & ORDER NUMBER
- 4 CABLE INFORMATION:
 - CORE DIAMETER: 50/125 μm (2x)
 - OUTER JACKET DIAMETER: 4.8 mm
 - OUTER JACKET COLOUR: BLACK
 - OUTER JACKET MATERIAL: HALOGEN FREE FLAME RETARDANT
 - CABLE ATTENUATION: 3.0 dB/km @ 850 nm OR 1.0 dB/km @ 1300 nm

1	INFORMATION LABEL	7
1	LC DUPLEX CONNECTOR, MULTI MODE, BEIGE	6
2	PROTECTIVE TUBING, BLACK	5
1	HEAT SHRINK TUBING, BLACK	4
1	FULLAXS OVERMOLDED LC DUPLEX PLUG ASSEMBLY, MM, BLACK	3
1	FULLAXS OVERMOLDED DROP PROTECTION, BLACK	2
L	FOCAB Ø4.8 mm, 2FOLD, MULTI MODE OM3, BLACK	1
Qty	Description	Item

3 LABEL DETAIL:



THIS DRAWING IS A CONTROLLED DOCUMENT.		DWN R. COOLEN 11JUN2010	TE Connectivity	
DIMENSIONS: mm		CHK S. BORGAS 15JAN2013		
TOLERANCES UNLESS OTHERWISE SPECIFIED:		APVD A. HENGELMOLEN 15JAN2013	NAME FIBER OPTIC LEAD 4.8 mm FULLAXS LC/DPX - LC/DPX MULTI MODE OM3	
0 PLC ± - 1 PLC ± - 2 PLC ± - 3 PLC ± - 4 PLC ± - ANGLES ± -		PRODUCT SPEC -	RESTRICTED TO -	
MATERIAL		APPLICATION SPEC 114-32032	SIZE A2	CAGE CODE 00779
FINISH		WEIGHT 0.000000	DRAWING NO C=2061506	
		CUSTOMER DRAWING		SCALE NTS
		SHEET 1 of 1		REV B

单击下面可查看定价，库存，交付和生命周期等信息

[>>TE Connectivity\(泰科\)](#)