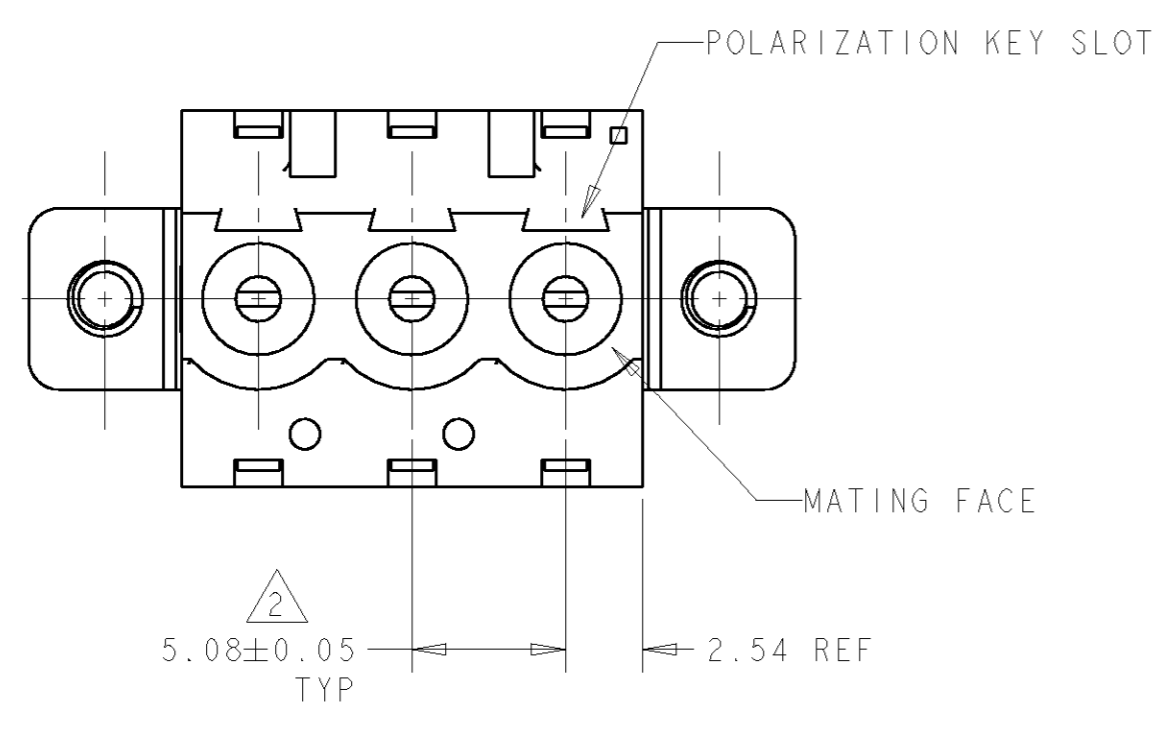
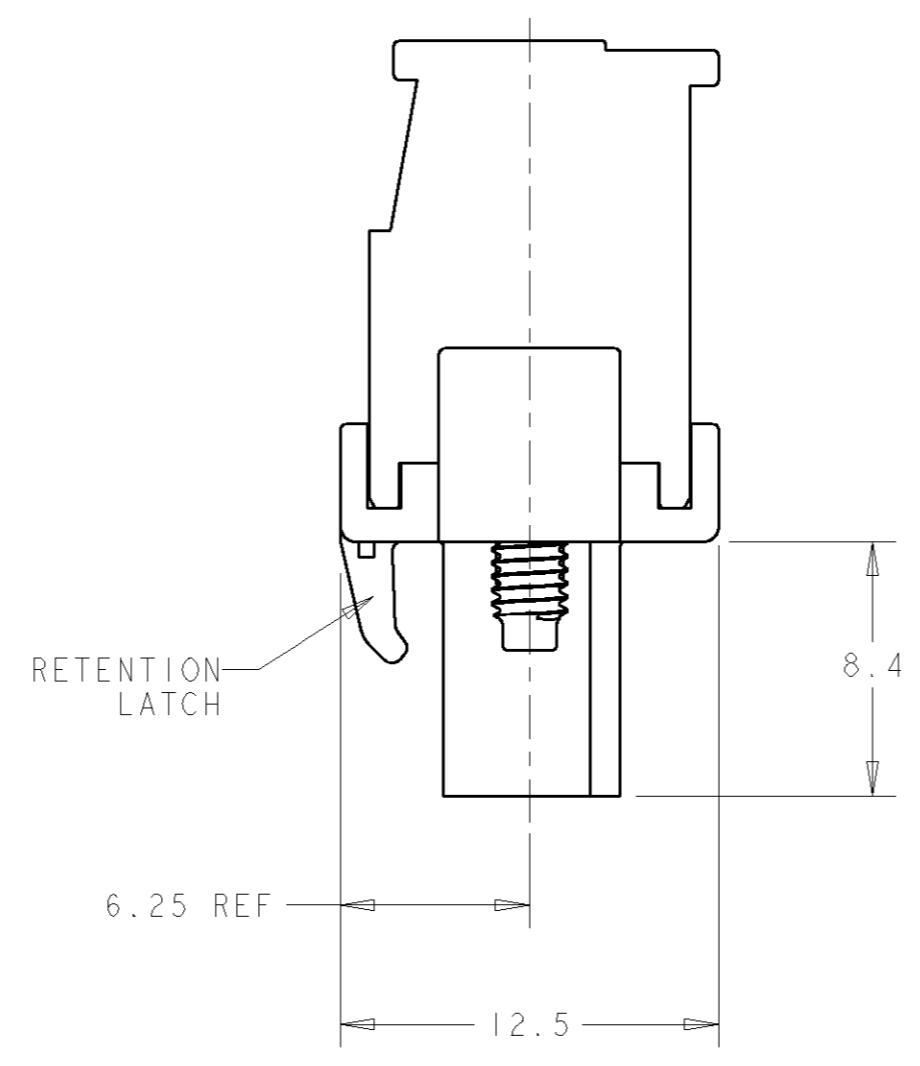
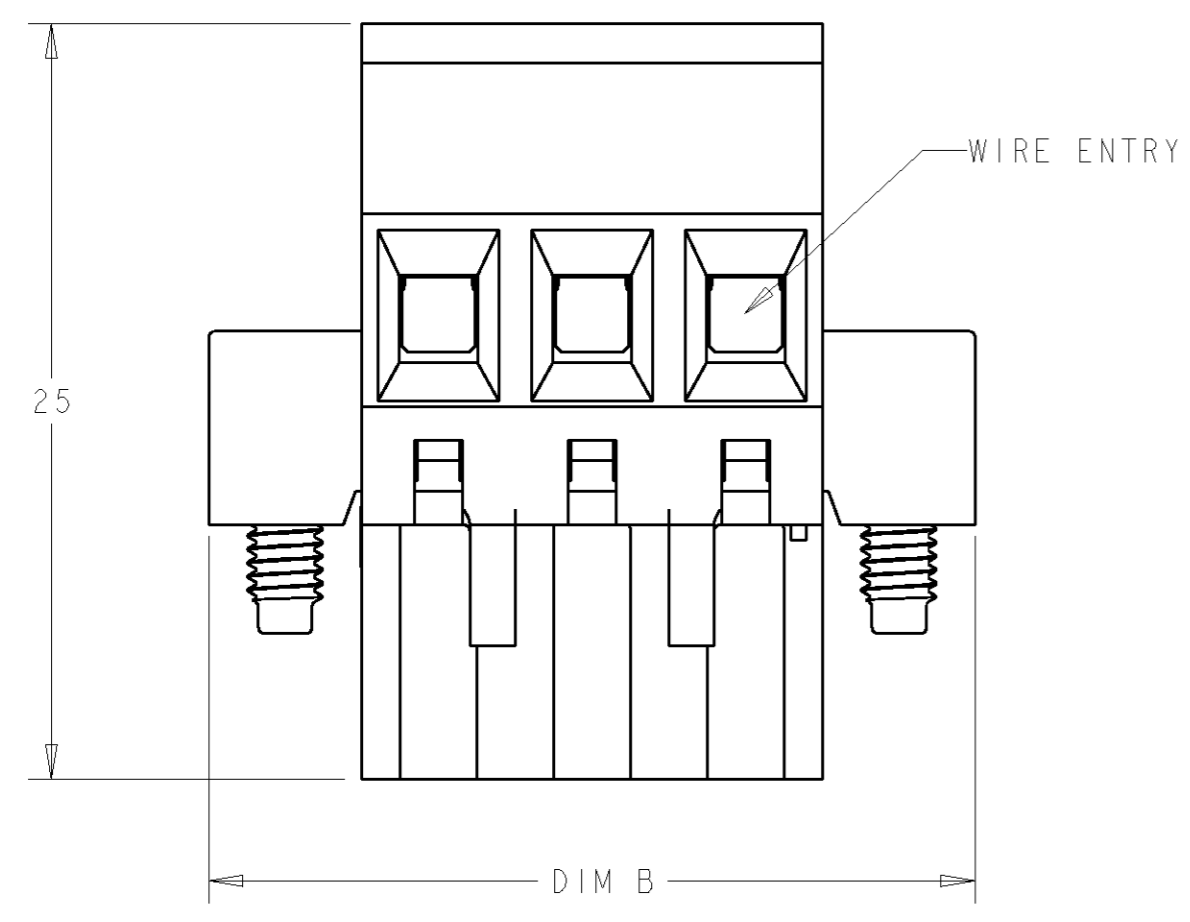
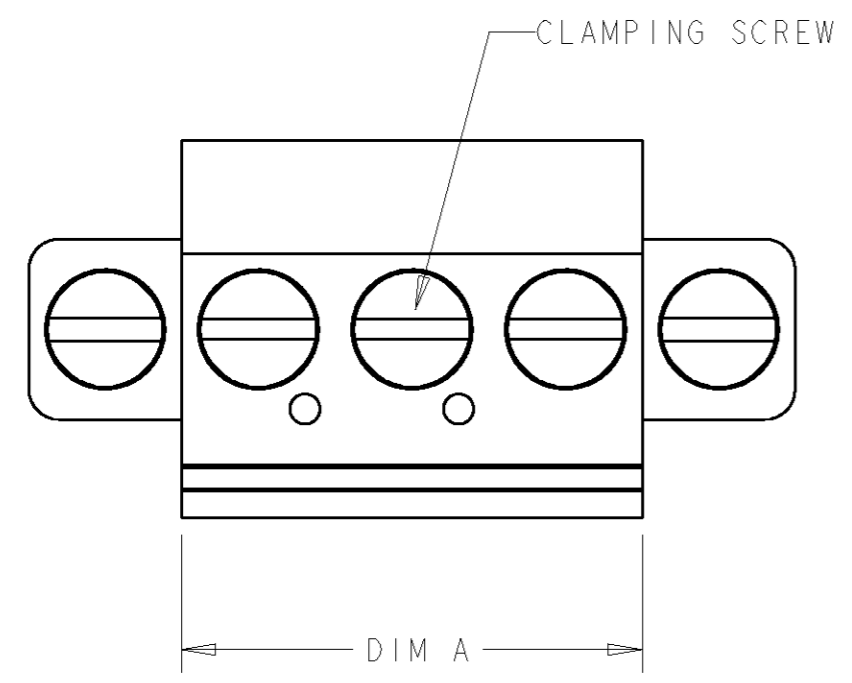


THIS DRAWING IS UNPUBLISHED. RELEASED FOR PUBLICATION 20
 © COPYRIGHT 20 BY TYCO ELECTRONICS CORPORATION. ALL RIGHTS RESERVED.

LOC	DIST	REVISIONS					
FT	0	P	LTR	DESCRIPTION	DATE	DWN	APVD
		B		REVISED EC 0G3B-0632-03	24SEP2003	SW	CR



- 1 MATERIALS AND FINISH:
 HOUSING: PA 6-6, UL 94-V0, COLOR GREEN.
 CLAMP: BRASS, NICKEL PLATED.
 CONTACT SPRING: PHOSPHOR BRONZE, TIN PLATED.
 CLAMPING SCREW: M3, BRASS, NICKEL PLATED.
- 2 NOT CUMULATIVE TOLERANCE.
- 3. WIRE SIZE RANGE: 12 - 30 AWG
- 4 INK MARKING: COLOR BLACK.

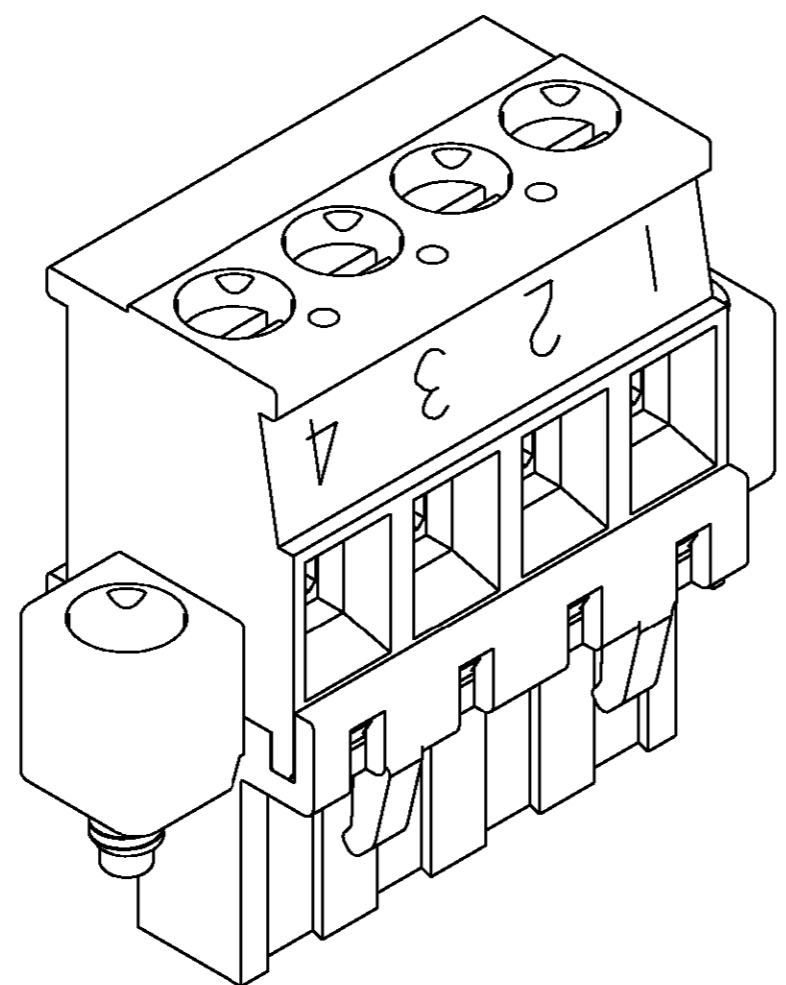
SEE DETAIL L	30.48	20.32	4	2-796863-4
-	127.00	116.84	23	2-796863-3
-	121.92	111.76	22	2-796863-2
-	116.84	106.68	21	2-796863-1
-	111.76	101.60	20	2-796863-0
-	106.68	96.52	19	1-796863-9
-	101.60	91.44	18	1-796863-8
-	96.52	86.36	17	1-796863-7
-	91.44	81.28	16	1-796863-6
-	86.36	76.20	15	1-796863-5
-	81.28	71.12	14	1-796863-4
-	76.20	66.04	13	1-796863-3
-	71.12	60.96	12	1-796863-2
-	66.04	55.88	11	1-796863-1
-	60.96	50.80	10	1-796863-0
-	55.88	45.72	9	796863-9
-	50.80	40.64	8	796863-8
-	45.72	35.56	7	796863-7
-	40.64	30.48	6	796863-6
-	35.56	25.40	5	796863-5
-	30.48	20.32	4	796863-4
-	25.40	15.24	3	796863-3
-	20.32	10.16	2	796863-2
MARKING	B	A	POSN	PART NUMBER

THIS DRAWING IS A CONTROLLED DOCUMENT FOR TYCO ELECTRONICS CORPORATION IT IS SUBJECT TO CHANGE AND THE CONTROLLING ENGINEERING ORGANIZATION SHOULD BE CONTACTED FOR THE LATEST REVISION.		DWN J. STAUFFER 07AUG2002 CHK C. RICHARD 07AUG2002 APVD C. RICHARD 07AUG2002	BUCHANAN Tyco Electronics Harrisburg, PA 17105-3608
DIMENSIONS: mm 	TOLERANCES UNLESS OTHERWISE SPECIFIED: 0 PLC ±0 1 PLC ±.3 2 PLC ±.25 3 PLC ±0 4 PLC ±0 ANGLES ±2° FINISH	PRODUCT SPEC - APPLICATION SPEC - WEIGHT -	NAME TERMINAL BLOCK VERTICAL PLUG RIGHT HAND, W/ LOCKING SCREW 5.08mm PITCH SIZE A2 CAGE CODE 00779 C=796863 DRAWING NO 796863 RESTRICTED TO -
MATERIAL		CUSTOMER DRAWING	SCALE 3:1 SHEET 1 OF 2 REV B

THIS DRAWING IS UNPUBLISHED. RELEASED FOR PUBLICATION 20

© COPYRIGHT 20 BY TYCO ELECTRONICS CORPORATION. ALL RIGHTS RESERVED.

LOC	DIST	REVISIONS					
FT	0	P	LTR	DESCRIPTION	DATE	DWN	APVD
		-		SEE SHEET 1	-	-	-



4
DETAIL L

<small>THIS DRAWING IS A CONTROLLED DOCUMENT FOR TYCO ELECTRONICS CORPORATION IT IS SUBJECT TO CHANGE AND THE CONTROLLING ENGINEERING ORGANIZATION SHOULD BE CONTACTED FOR THE LATEST REVISION.</small>		DWN 07AUG2002 J. STAUFFER CHK 07AUG2002 C. RICHARD APVD 07AUG2002 C. RICHARD	BUCHANAN Tyco Electronics Harrisburg, PA 17105-3608
DIMENSIONS: mm	TOLERANCES UNLESS OTHERWISE SPECIFIED: 0 PLC ±0 1 PLC ±.3 2 PLC ±.25 3 PLC ±0 4 PLC ±0 ANGLES ±2° FINISH	PRODUCT SPEC - APPLICATION SPEC - WEIGHT -	NAME TERMINAL BLOCK VERTICAL PLUG RIGHT HAND, W/ LOCKING SCREW 5.08mm PITCH
MATERIAL -	FINISH -	SCALE 3:1 SHEET 2 OF 2 REV B	SIZE A2 CAGE CODE 00779 DRAWING NO. C-796863 RESTRICTED TO -
CUSTOMER DRAWING		SCALE 3:1 SHEET 2 OF 2 REV B	

单击下面可查看定价，库存，交付和生命周期等信息

[>>TE Connectivity\(泰科\)](#)