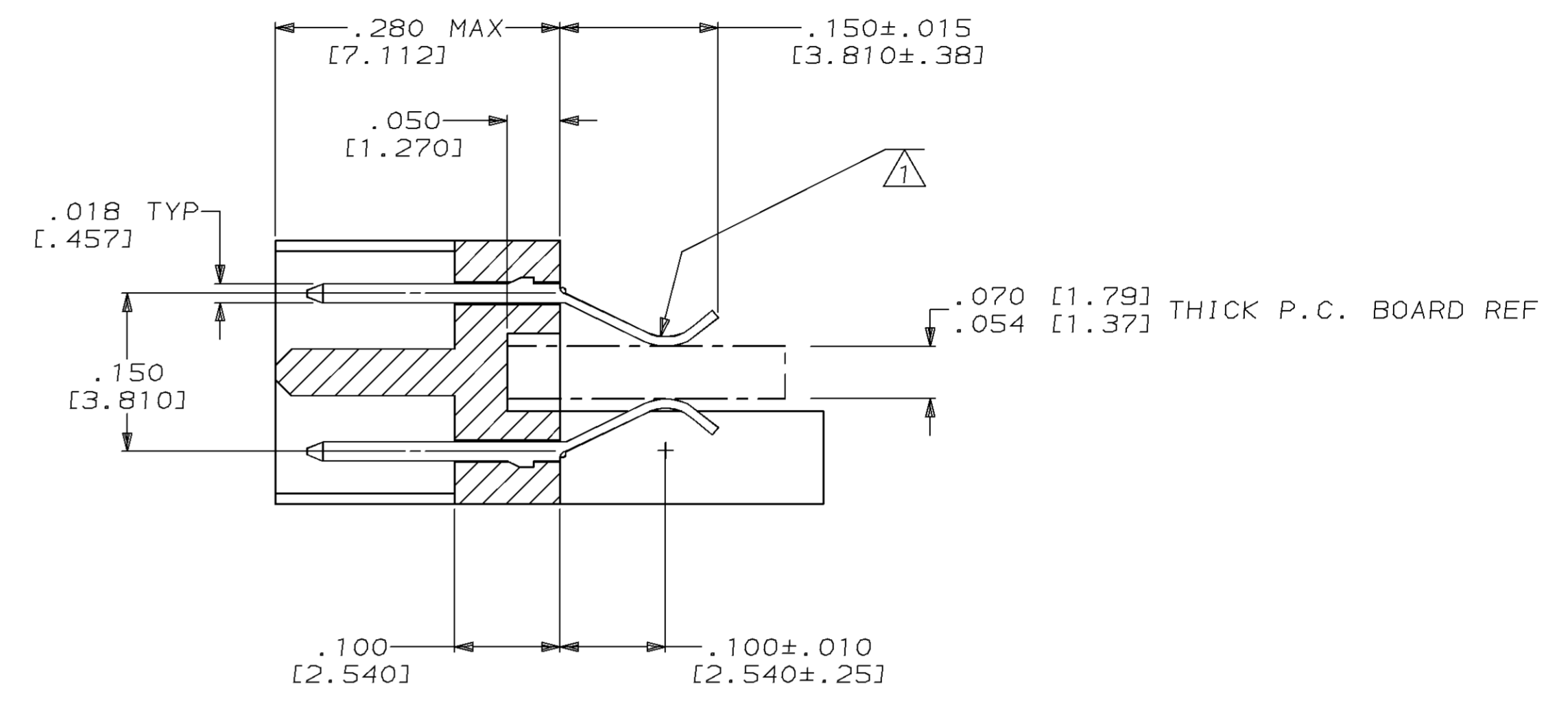
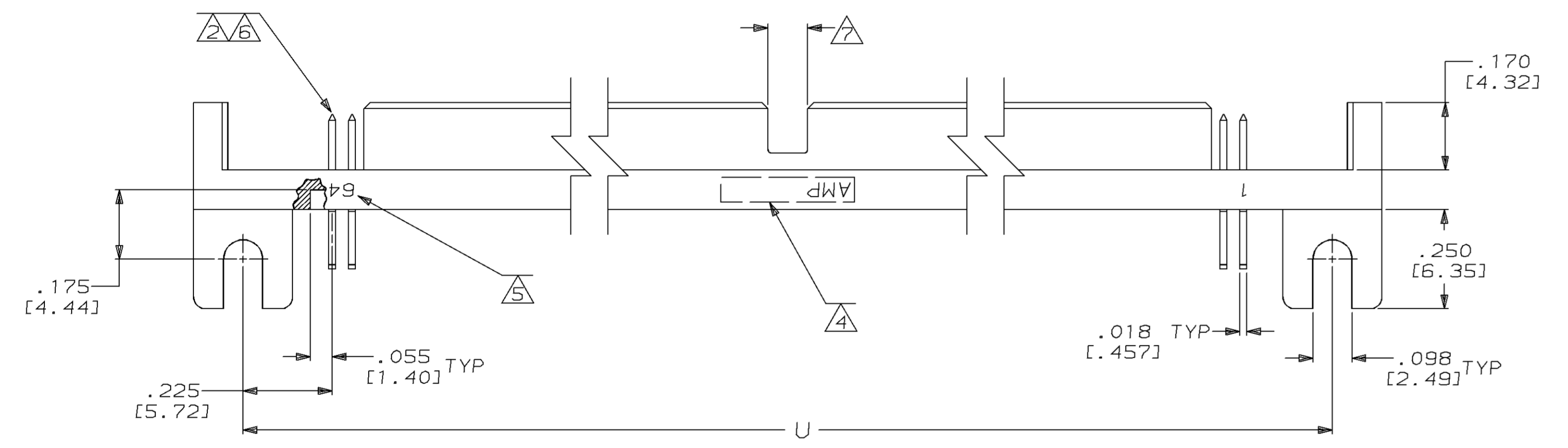
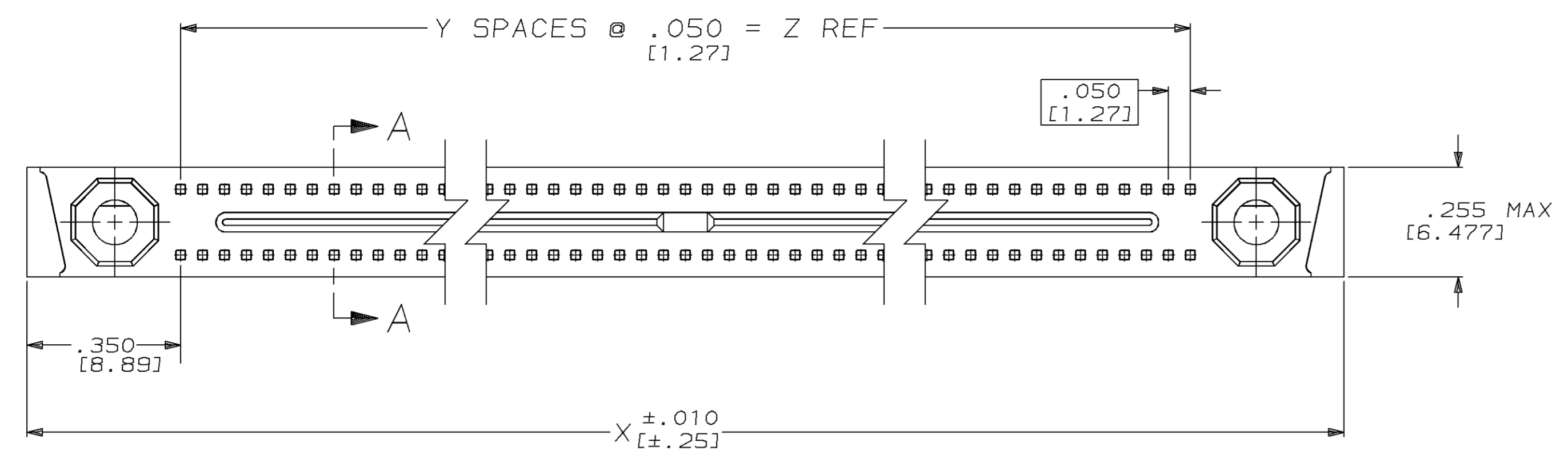


PROJ	LOC	DIST	P	F	ZONE	LTR	DESCRIPTION	DATE	APPD	
5327	DF	F0	✓			B	REV & REDWN PER DF-5332	AJG	1-82	DG
			✓			C	REV PER 0600-1388-93	TA	5-4-94	DG



SECTION A-A  
SCALE 8:1

- △ TABS PRE-TINNED THIS AREA.
- △ FINISH: .000030 GOLD IN CONTACT AREA, SELECTIVE OVER NICKEL.
- △ HOUSING MATERIAL: LIQUID CRYSTAL POLYMER PER MIL-M-24519, GLCP-30F; COLOR: GRAY.
- △ AMP PART NUMBER AND DATE CODE MARKED IN THIS APPROXIMATE AREA.
- △ NUMBERS INDICATING END POSITIONS MARKED, THIS SIDE ONLY.
- △ CONTACT MATERIAL: BRASS.
- △ FEATURE NOT PRESENT IN 20 THRU 50 POSITION.

OBSOLETE	△	1 - 10	.450 [11.43]	9	1.150 [29.21]	.900 [22.86]	20	1-530719-1
OBSOLETE	△	1 - 15	.700 [17.78]	14	1.400 [35.56]	1.150 [29.21]	30	1-530719-0
	△	1 - 64	3.150 [80.01]	63	3.850 [97.79]	3.600 [91.44]	128	530719-9
OBSOLETE	△	1 - 55	2.700 [68.58]	54	3.400 [86.36]	3.150 [80.01]	110	530719-8
	△	1 - 50	2.450 [62.23]	49	3.150 [80.01]	2.900 [73.66]	100	530719-7
	△	1 - 45	2.200 [55.88]	44	2.900 [73.66]	2.650 [67.31]	90	530719-6
	△	1 - 40	1.950 [49.53]	39	2.650 [67.31]	2.400 [60.96]	80	530719-5
	△	1 - 35	1.700 [43.18]	34	2.400 [60.96]	2.150 [54.61]	70	530719-4
	△	1 - 30	1.450 [36.83]	29	2.150 [54.61]	1.900 [48.26]	60	530719-3
	△	1 - 25	1.200 [30.48]	24	1.900 [48.26]	1.650 [41.91]	50	530719-2
	△	1 - 20	.950 [24.13]	19	1.650 [41.91]	1.400 [35.56]	40	530719-1
HSG MAT'L	△		Z	Y	X	U	NO. OF POSN.	PART NUMBER

DO NOT SCALE PRINT. UNLESS SPECIFIED DIMENSIONS IN INCHES [mm] TOLERANCES ON: 2 PLC DEC ± .005 [0.13] 3 PLC DEC ± .005 [0.13] ANGLES ± 0° 30'	DR 11-19-91 AJ GRAFF CHK 12-4-91 D.GUTTER APPD 12-4-91 D.GUTTER PRODUCT SPEC	<p><b>AMP</b>   AMP INCORPORATED Harrisburg, Pa. 17105</p> <p>NAME <b>PIN HEADER ASSEMBLY, MINI BOX, STANDARD</b></p>
MATERIAL CONTACT: BRASS HOUSING: △	APPD 12-4-91 D.GUTTER APPLICATION SPEC WEIGHT	
FINISH CONTACT: △△	SCALE 4:1	<p>SIZE <b>D</b> FSCM NO 00779 DRAWING NO 530719</p> <p>SHEET 1 OF 1</p>

单击下面可查看定价，库存，交付和生命周期等信息

[>>TE Connectivity\(泰科\)](#)