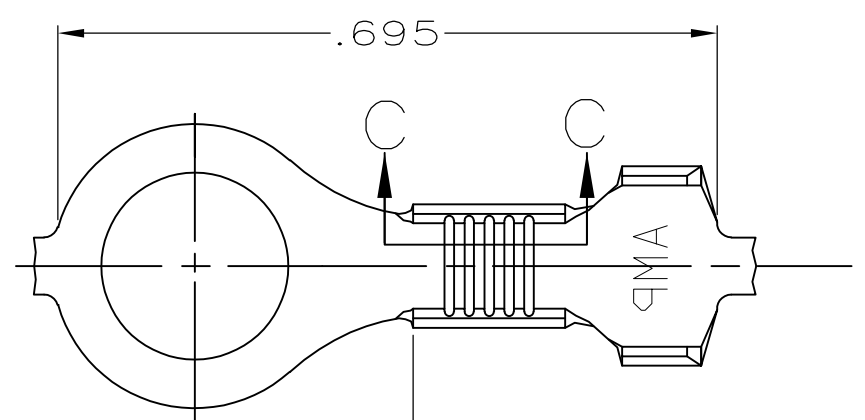
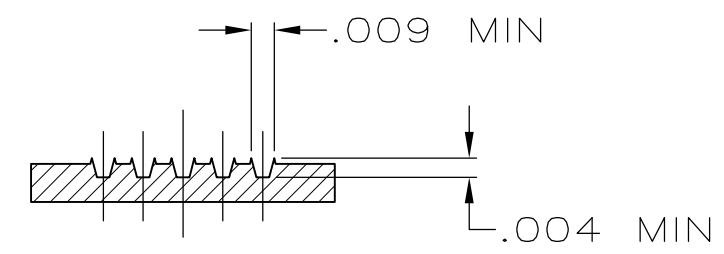
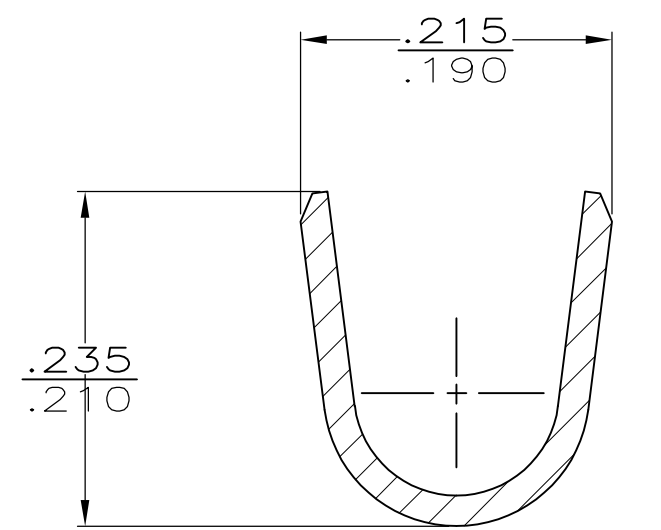
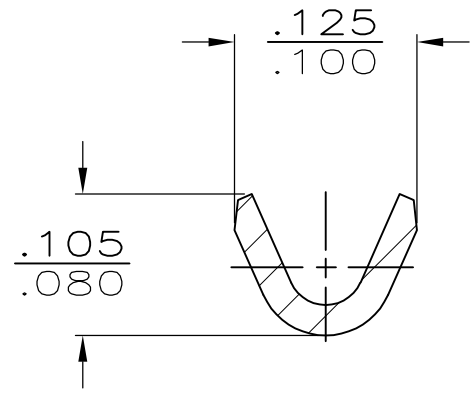
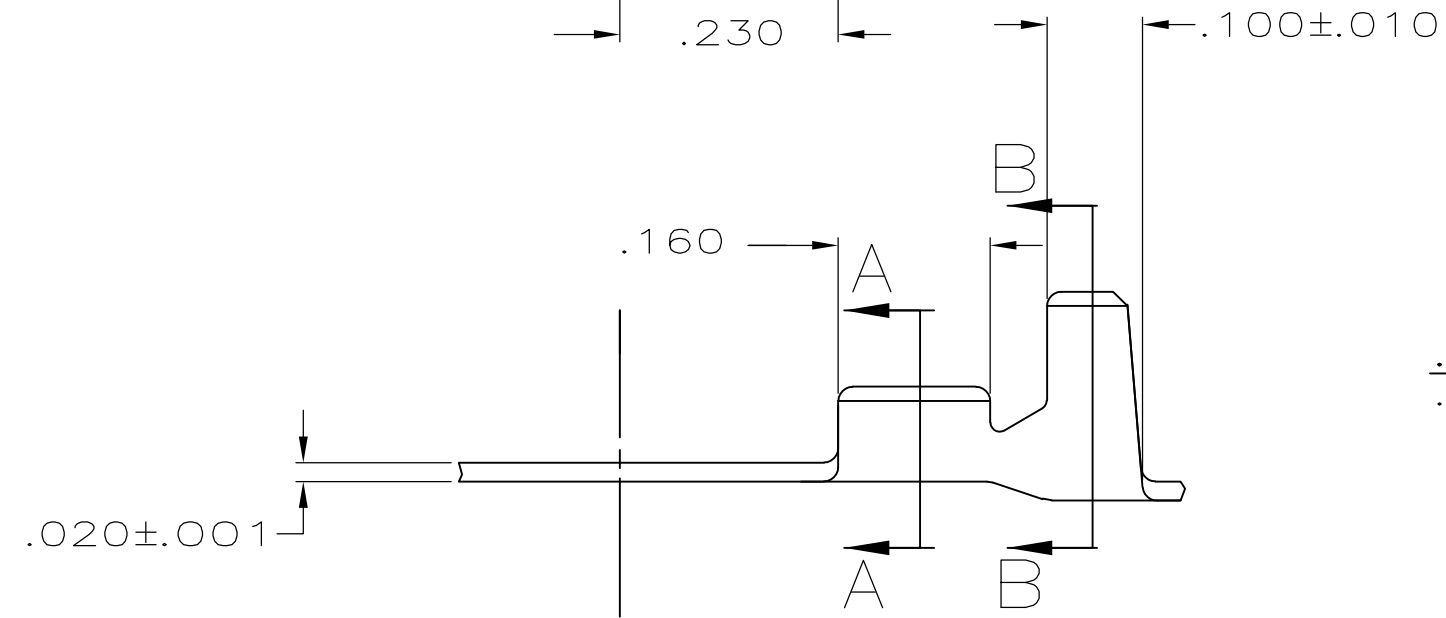


THIS DRAWING IS UNPUBLISHED. RELEASED FOR PUBLICATION
 © COPYRIGHT - By TYCO ELECTRONICS CORPORATION. ALL RIGHTS RESERVED.

LOC	DIST	REVISIONS			
P	LTR	DESCRIPTION	DATE	DWN	APVD
AF	50	G	REVISE PER ECR-13-013738	15FEB2014	GRZ JL



1 CONTINUOUS STRIP ON REELS



.125-.165 DIA	23-19 AWG	60325-2
INSULATION RANGE	MAGNET WIRE RANGE	PART NUMBER

THIS DRAWING IS A CONTROLLED DOCUMENT.		DWN P FORTNEY 3/1/90	STE TE Connectivity				
		CHK MS FEHER 3/1/90					
DIMENSIONS: INCHES	TOLERANCES UNLESS OTHERWISE SPECIFIED:	APVD - 3/1/90 G YETTER	NAME #10 STUD, RING, AMPLIVAR				
		PRODUCT SPEC - 3/10/90 R KUZO					
		APPLICATION SPEC -	SIZE A3	CAGE CODE 00779	DRAWING NO C-60325	RESTRICTED TO -	
MATERIAL BRASS	FINISH .000080 MIN TIN PL PER MIL-T-10727	WEIGHT -	CUSTOMER DRAWING		SCALE 5:1	SHEET 1 OF 1	REV G

单击下面可查看定价，库存，交付和生命周期等信息

[>>TE Connectivity\(泰科\)](#)