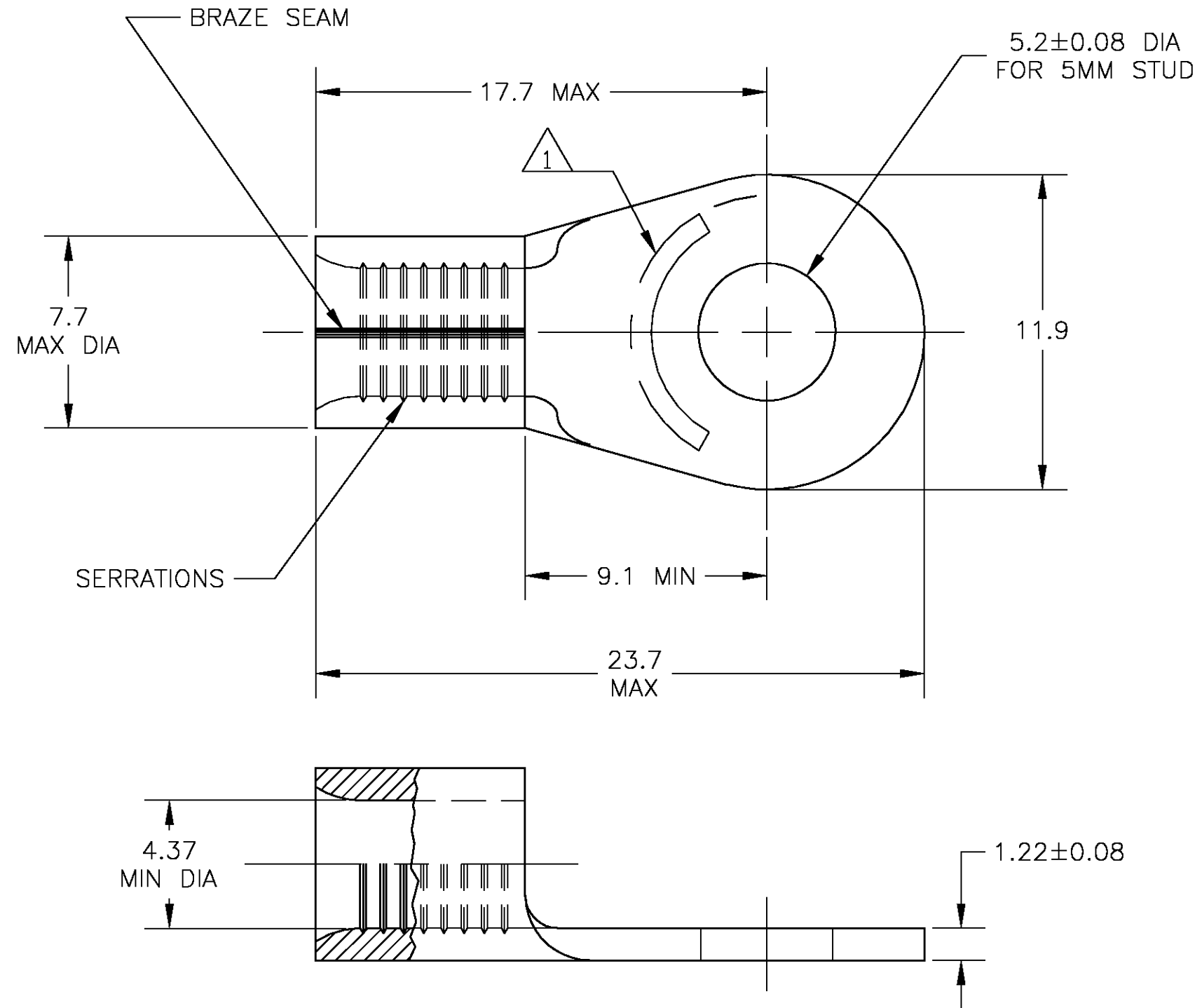


THIS DRAWING IS UNPUBLISHED. RELEASED FOR PUBLICATION
 © COPYRIGHT BY TYCO ELECTRONICS CORPORATION. ALL RIGHTS RESERVED.

LOC	DIST	REVISIONS					
G	05	P	LTR	DESCRIPTION	DATE	DWN	APVD
		B1		REV PER ECR 05-004247	08JUN05	JR	TM



- 1 STAMP "AMP 8*" , APPROX AS SHOWN
- 2 COPPER PER ASTM B-152, ANNEALED
- 3 0.00254 MIN THK TIN PER ASTM B-545
- 4 170°C MAX RECOMMENDED OPERATING TEMPERATURE.
- 5 WIRE CROSS SECTIONAL AREA RANGE: 6.64-10.5mm² (13-100-20,800) CMA SOLID OR STRANDED

AMP WIRE RANGE
8 AWG SOLID OR STRANDED

500	LOOSE PIECE	160013
QTY	PACKAGE TYPE	PART NO.

THIS DRAWING IS A CONTROLLED DOCUMENT.		DWN jr ruth 08JUN05	Tyco Electronics Corporation Harrisburg, Pa 17105-3608	
DIMENSIONS: MM INCHES		CHK T MICHIELUTTI 08JUN05		
TOLERANCES UNLESS OTHERWISE SPECIFIED:		APVD T MICHIELUTTI 08JUN05	NAME TERMINAL, RING TONGUE, SOLISTRAND	
0 PLC ± - 1 PLC ± - 2 PLC ± - 3 PLC ± - 4 PLC ± - ANGLES ± 5°		PRODUCT SPEC -	SIZE A3	
MATERIAL - 2		APPLICATION SPEC -	CAGE CODE 00779	DRAWING NO C-160013
FINISH - 3		WEIGHT -	RESTRICTED TO -	
CUSTOMER DRAWING			SCALE 1:1	SHEET 1 OF 1
			REV B1	

单击下面可查看定价，库存，交付和生命周期等信息

[>>TE Connectivity\(泰科\)](#)