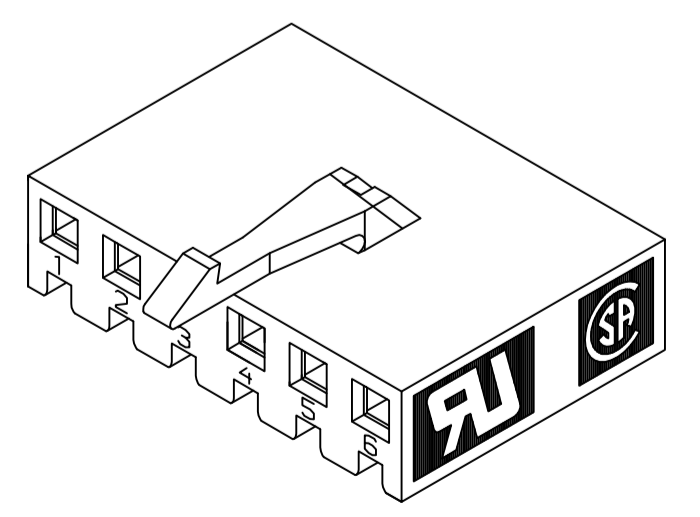
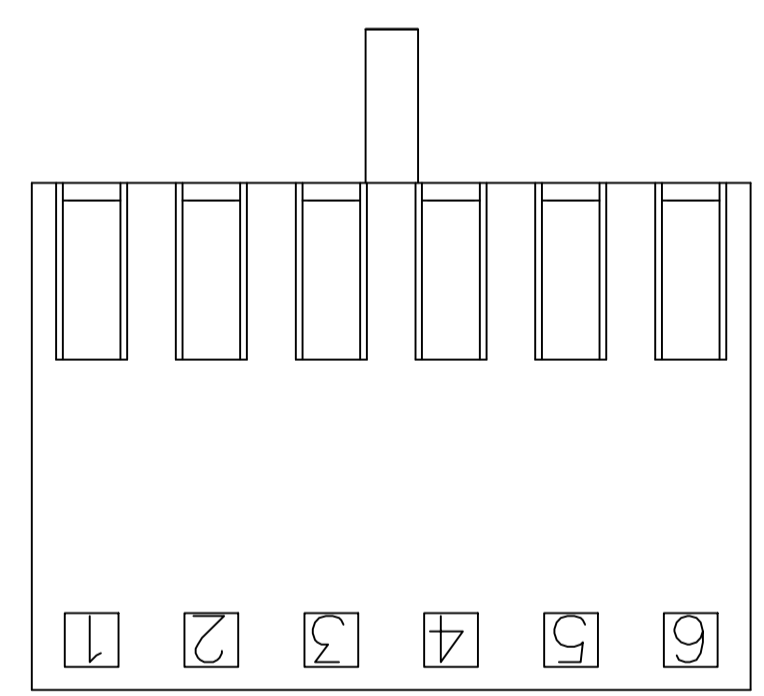
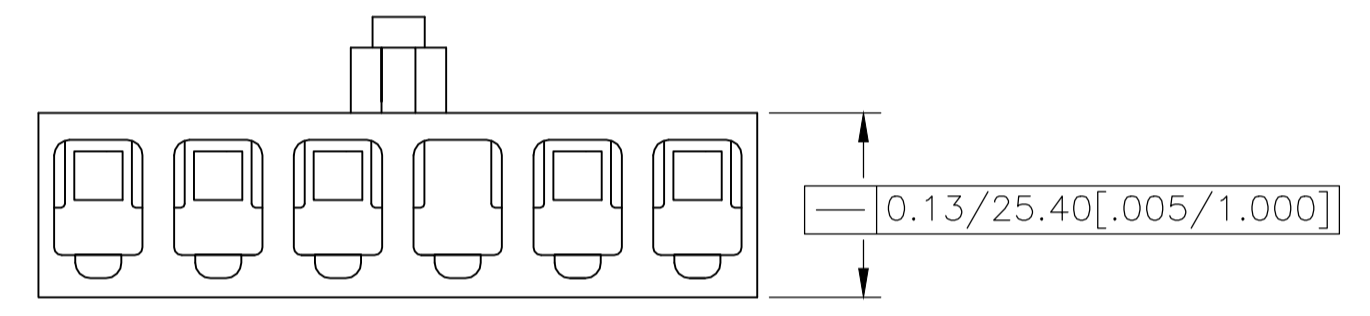
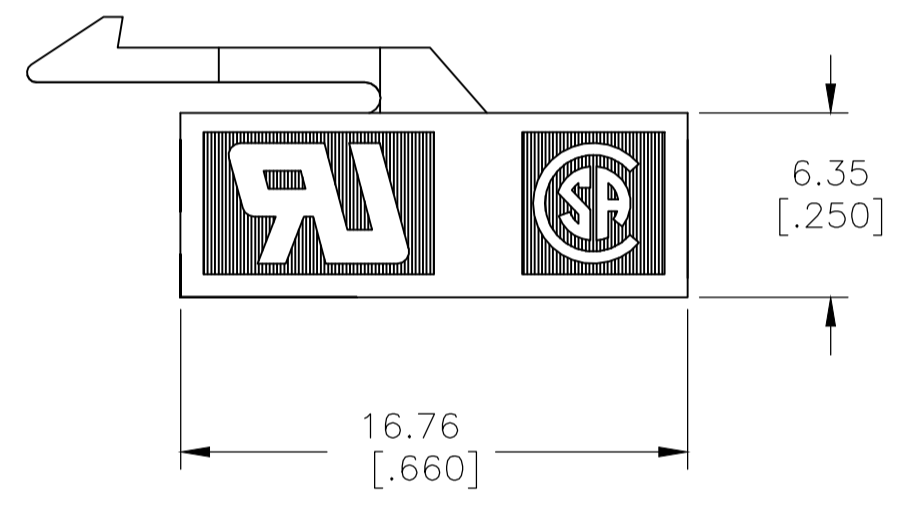
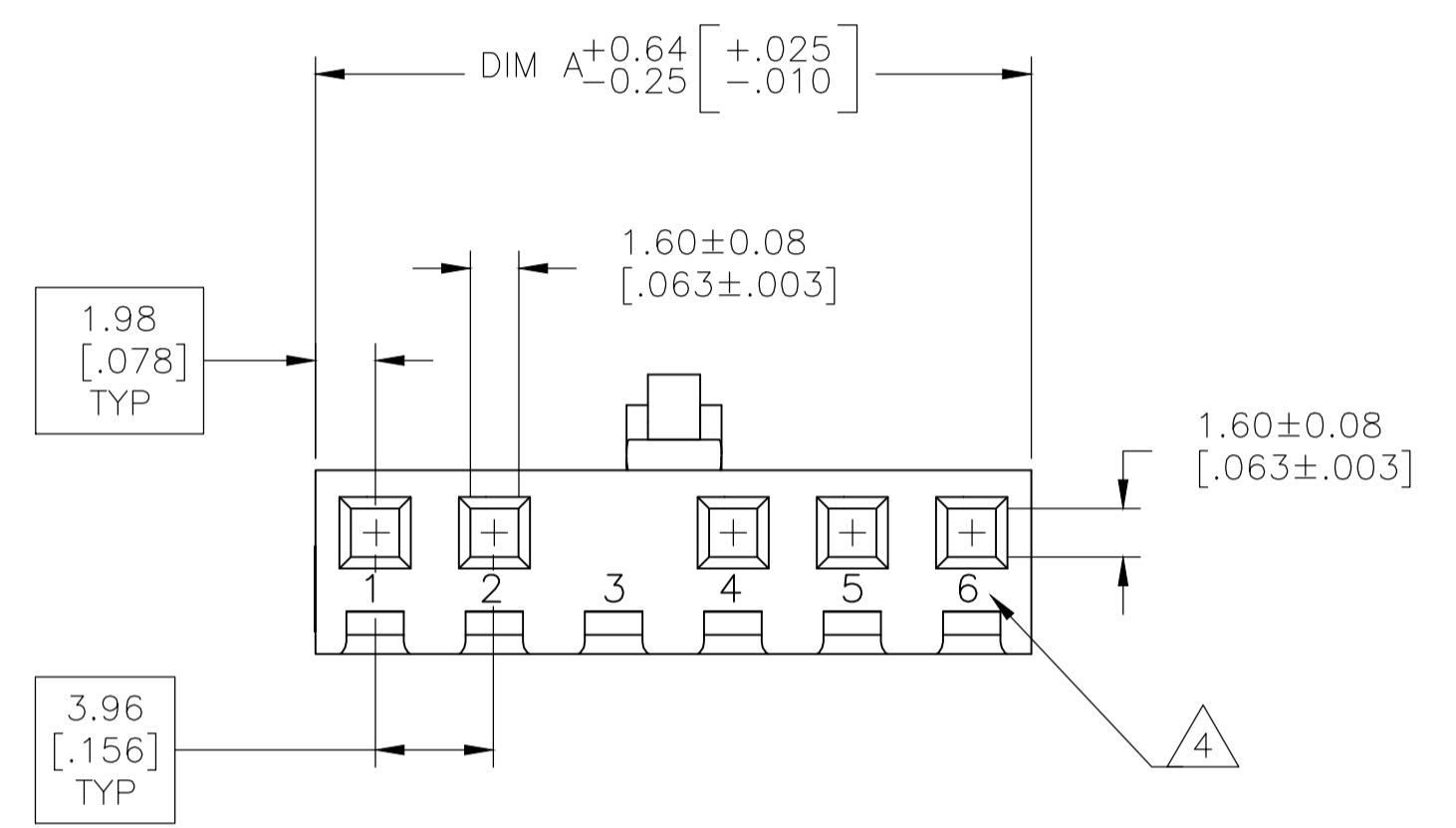
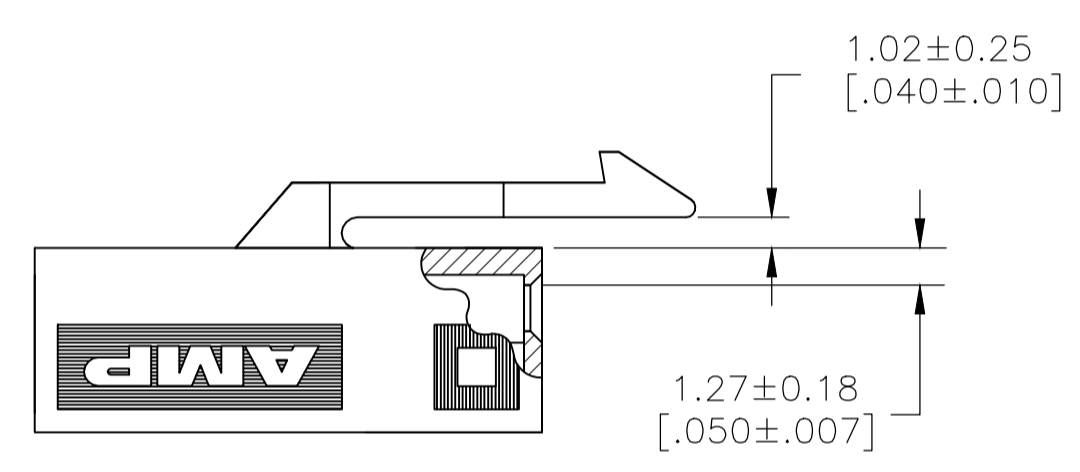
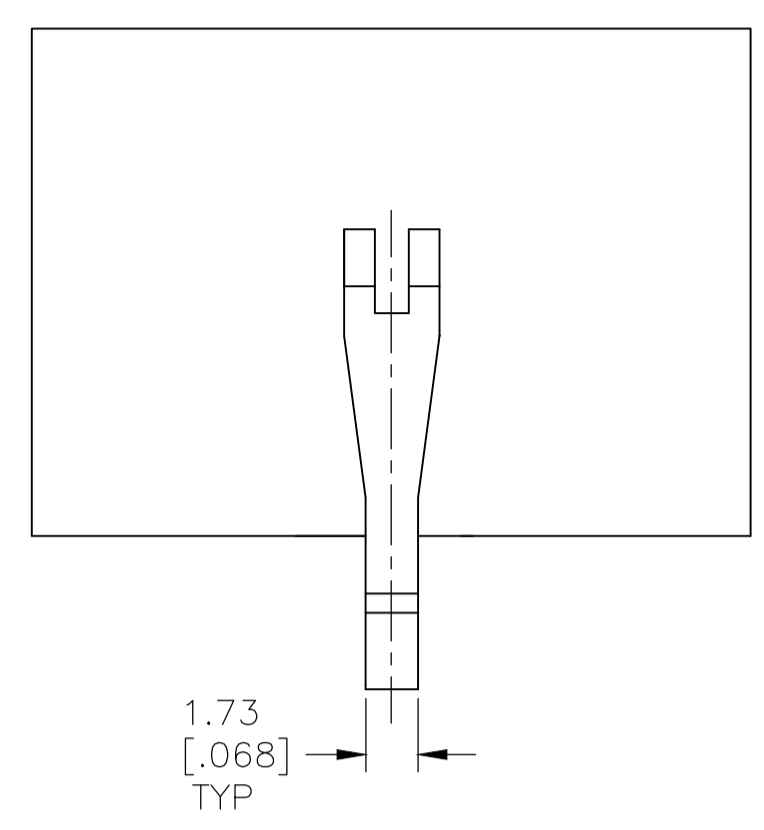
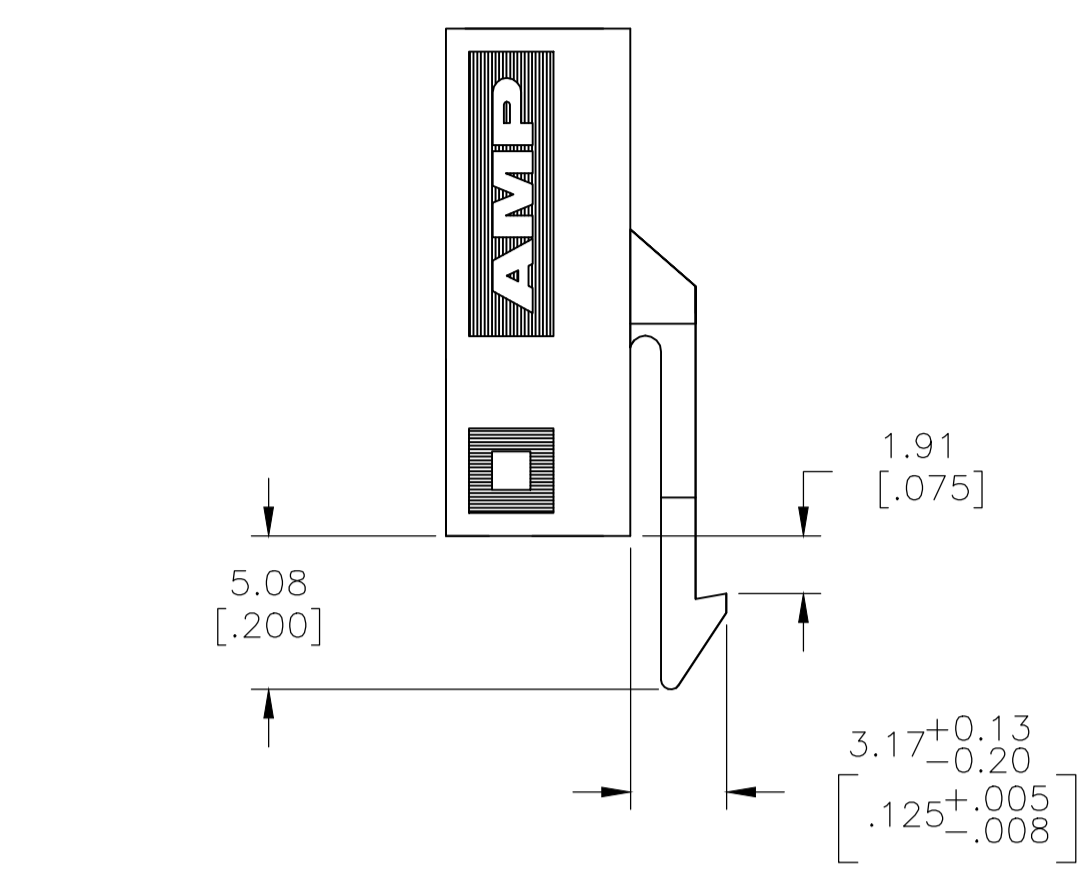
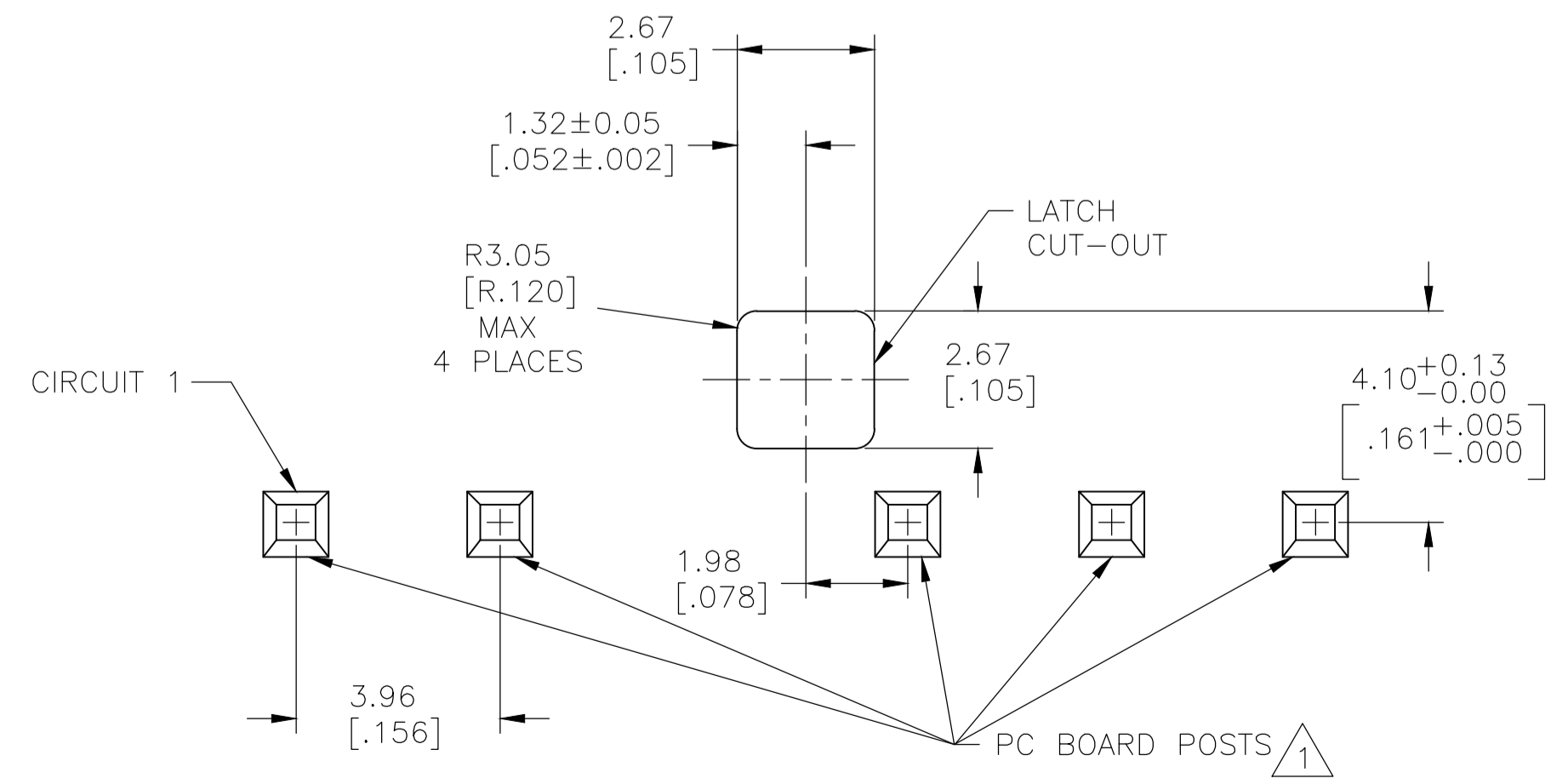


REVISIONS					
P	LTR	DESCRIPTION	DATE	DMN	APVD
D		REVISED PER ECO-18-01008432	03JUL2018	RS	SG

- 1 UNIT ACCEPTS A 1.14 [.045] SQUARE OR ROUND POST. POST LENGTH ABOVE THE P.C. BOARD IS TO BE 8.89-11.81 [.350-.465].
- 2 UNIT ACCEPTS STANDARD SL-156 CONTACTS.
- 3 UNIT ACCEPTS KEYING PLUG 640254-1 AND KEYING PIN 640255-1.
- 4 IDENTIFICATION NUMBER FOR LAST CIRCUIT MAY NOT APPEAR ON HOUSING.
- 5 DIMENSIONS IN BRACKETS ARE IN INCHES.
- 6 THE ASSEMBLED UNIT (HOUSING AND CONTACTS) IS RATED FOR A MAXIMUM OF THREE (3) MATING AND UNMATING CYCLES TO THE BOARD MOUNTED POSTS, UNLESS THE HOUSING LATCHES ARE FIRST DEPRESSED. IF THE LATCHES ARE DEPRESSED SO AS TO AVOID ENGAGEMENT WITH THE BOARD, THEN A MAXIMUM OF TWENTY FIVE (25) MATING AND UNMATING CYCLES ARE ALLOWED.
- 7 THE RECOMMENDED MAXIMUM NUMBER OF UNMATING CYCLES FOR THE P.C. BOARD ITSELF IS TEN (10), UNLESS THE HOUSING LATCHES ARE FIRST DEPRESSED.
- 8 MOISTURIZATION DURING PACKAGING OF PRODUCT MAY AFFECT SOME DIMENSIONS. ALL PARTS TO BE MEASURED DRIED AS MOLDED.
- 9 PRE-PRODUCTION - FASR REQUIRED.



3-DIMENSIONAL MODEL NTS



RECOMMENDED CUT OUT FOR 1.57 [.062] THICK P.C. BOARD SCALE 8:1

3 AND 4	23.77 [.936]	6	1744075-6
LATCH LOCATION CENTERED BETWEEN CKTS	DIM A	NO OF CKTS	PART NUMBER

THIS DRAWING IS A CONTROLLED DOCUMENT.		DMN: KIRAN HOLAL 15NOV12		TE Connectivity Ltd.	
DIMENSIONS: mm [INCHES]		CHK: MICHELUTTI THOMAS J 15NOV12		NAME: HOUSING WITH THROUGH BOARD LATCH, SL-156	
TOLERANCES UNLESS OTHERWISE SPECIFIED:		APVD: MICHELUTTI THOMAS J 15NOV12		RESTRICTED TO	
0 PLC	± -	PRODUCT SPEC		SIZE: A1	
1 PLC	± -	APPLICATION SPEC		CAGE CODE: 1744075	
2 PLC	± 0.20 [.008]	MATERIAL: NYLON, UL 94V-2 NATURAL		WEIGHT: 0.000000	
3 PLC	± -	FINISH: -		DRAWING NO: 1744075	
4 PLC	± -	CUSTOMER DRAWING		SCALE: 4:1	
ANGLES	± -	SHEET: 1 OF 1		REV: D	

单击下面可查看定价，库存，交付和生命周期等信息

[>>TE Connectivity\(泰科\)](#)