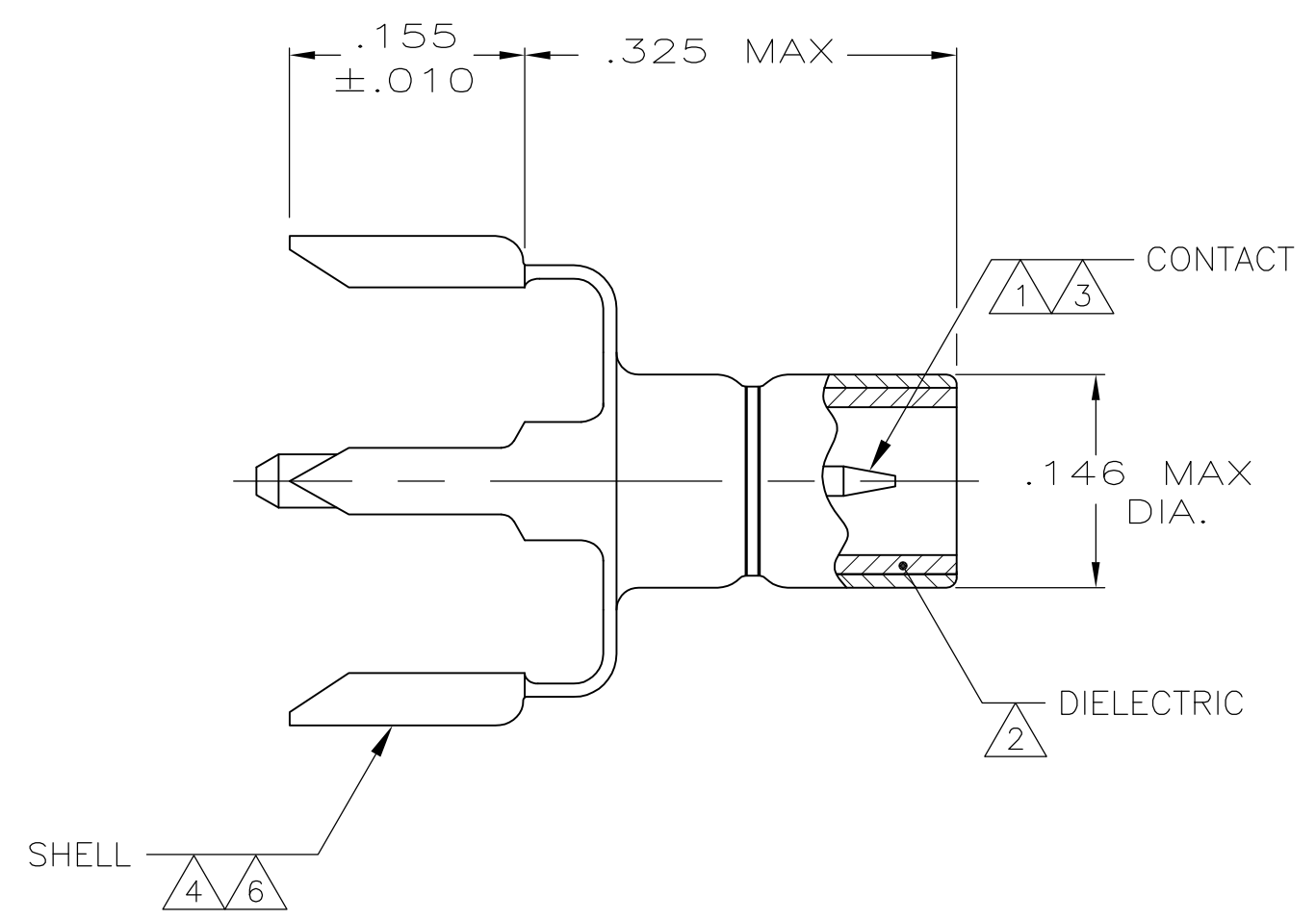
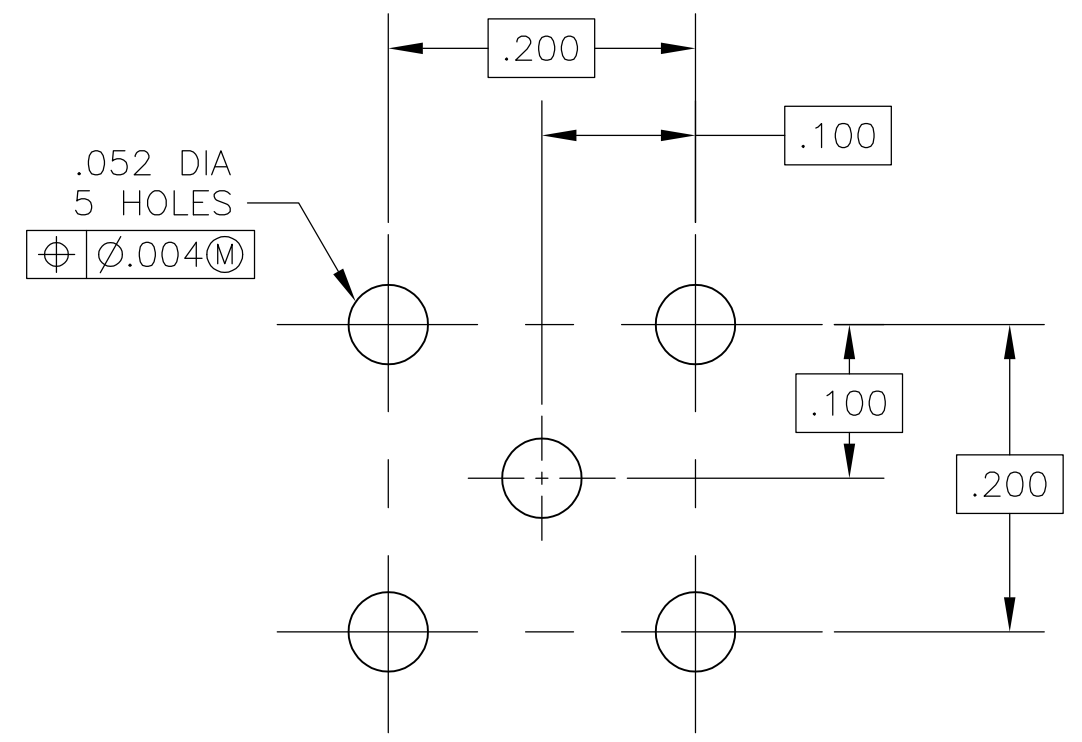


THIS DRAWING IS UNPUBLISHED. RELEASED FOR PUBLICATION
 © COPYRIGHT - By - ALL RIGHTS RESERVED.

LOC	DIST	REVISIONS			
P	LTR	DESCRIPTION	DATE	DWN	APVD
AJ	53	P1	ECR-12-005726	27MAR12	RK MY



- 1 BRASS PER ASTM-B-16.
- 2 PTFE PER ASTM-D-1710.
- 3 GOLD PLATE PER ASTM-B-488.
- 4 TIN PLATE PER ASTM-B-545.
- 5 NICKEL PLATE PER QQ-N-290.
- 6 BRASS PER ASTM-B-36.



RECOMMENDED PCB HOLE CONFIGURATION

5221111-1
 PART NUMBER

THIS DRAWING IS A CONTROLLED DOCUMENT.		DWN J. HAVENER 24JAN2005	TE Connectivity		
DIMENSIONS: INCHES		CHK J. HAVENER 25JAN2005			
TOLERANCES UNLESS OTHERWISE SPECIFIED:		APVD J. HAVENER 25JAN2005	NAME JACK,PCB, VERTICAL SMB		
0 PLC ± - 1 PLC ± - 2 PLC ± - 3 PLC ± .002 4 PLC ± - ANGLES ± -		PRODUCT SPEC -	RESTRICTED TO -		
MATERIAL SEE NOTES		FINISH SEE NOTES	APPLICATION SPEC -	SIZE A3	CAGE CODE 00779
		WEIGHT -	DRAWING NO C-5221111	SCALE 8:1	SHEET 1 OF 1
CUSTOMER DRAWING			REV P1		

单击下面可查看定价，库存，交付和生命周期等信息

[>>TE Connectivity\(泰科\)](#)