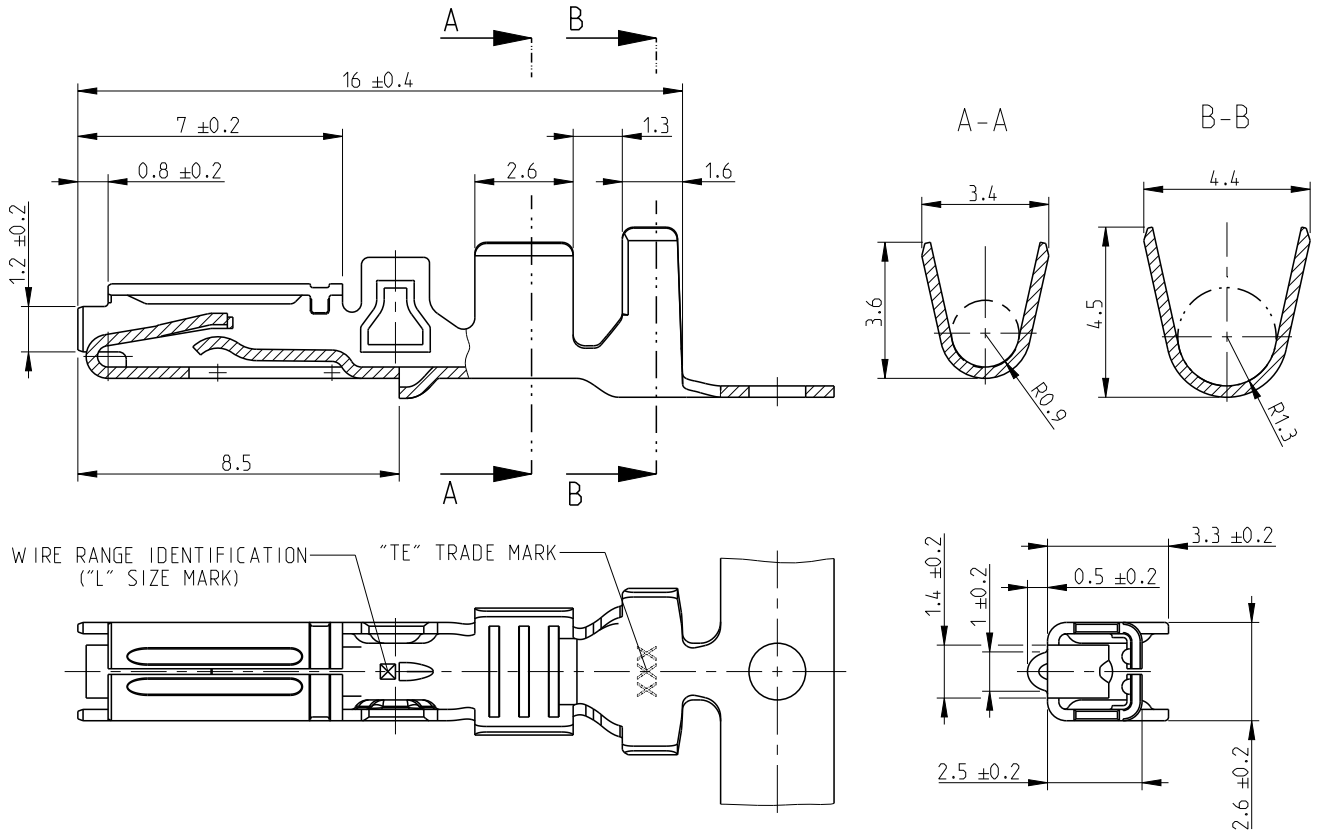


REVISIONS					
P	LTR	DESCRIPTION	DATE	DWN	APVD
	A3	Redrawn to Creo	09MAR2017	JJH	JP



1. DELIVERY STATE: ITEM IS SUPPLIED REELED ON CARTON REEL WITH STRIP PITCH = 11.9±0.2mm  
 STATO DI FORNITURA: AVVOLTI SU BOBINA CON PASSO TRA TERMINALI DI = 11.9±0.2mm

CUSTOMER DRAWING FOR INFORMATION ONLY  
 DISEGNO PER CLIENTE SOLO PER RIFERIMENTO

THIS DRAWING IS UNPUBLISHED. BY - ALL RIGHTS RESERVED. COPYRIGHT © 20

INS. DIA. RANGE (DIAM. ISOLANTE) Ø2.5 - 3.0mm		WIRE RANGE (RANGO FILO) >1.5 - 2.5mm <sup>2</sup>		PRE-TIN (PRE-STAGNATO)	BRONZO FOSF. (PHOS. BRONZE)	284166-2
				PRE-TIN (PRE-STAGNATO)	BRASS (OTTONE)	284166-1
				FINISH/COLOUR (FINITURE/COLORE)	MATERIAL (MATERIALE)	PART NUMBER
DIMENSIONS: mm		DWN D. BISETTI 06OCT1998	MATERIAL -	FINISH -		
TOLERANCES UNLESS OTHERWISE SPECIFIED:		CHK Q. CANUTO 06OCT1998	TE Connectivity			
0 PLC ± 1 PLC ± 2 PLC ± 3 PLC ± 4 PLC ±		APVD -				
ANGLES ±2°		PRODUCT SPEC 108-20175	NAME MULTILOCK .070 SRS REC. CONTACT FOR NEW GENERATION CONNECTOR			
		APPLICATION SPEC 114-20098	SIZE A 4	CAGE CODE -	DRAWING NO C=284166	RESTRICTED TO -
		WEIGHT -	CUSTOMER DRAWING			
		SCALE 5:1		SHEET 1 OF 1		REV A3

单击下面可查看定价，库存，交付和生命周期等信息

[>>TE Connectivity\(泰科\)](#)