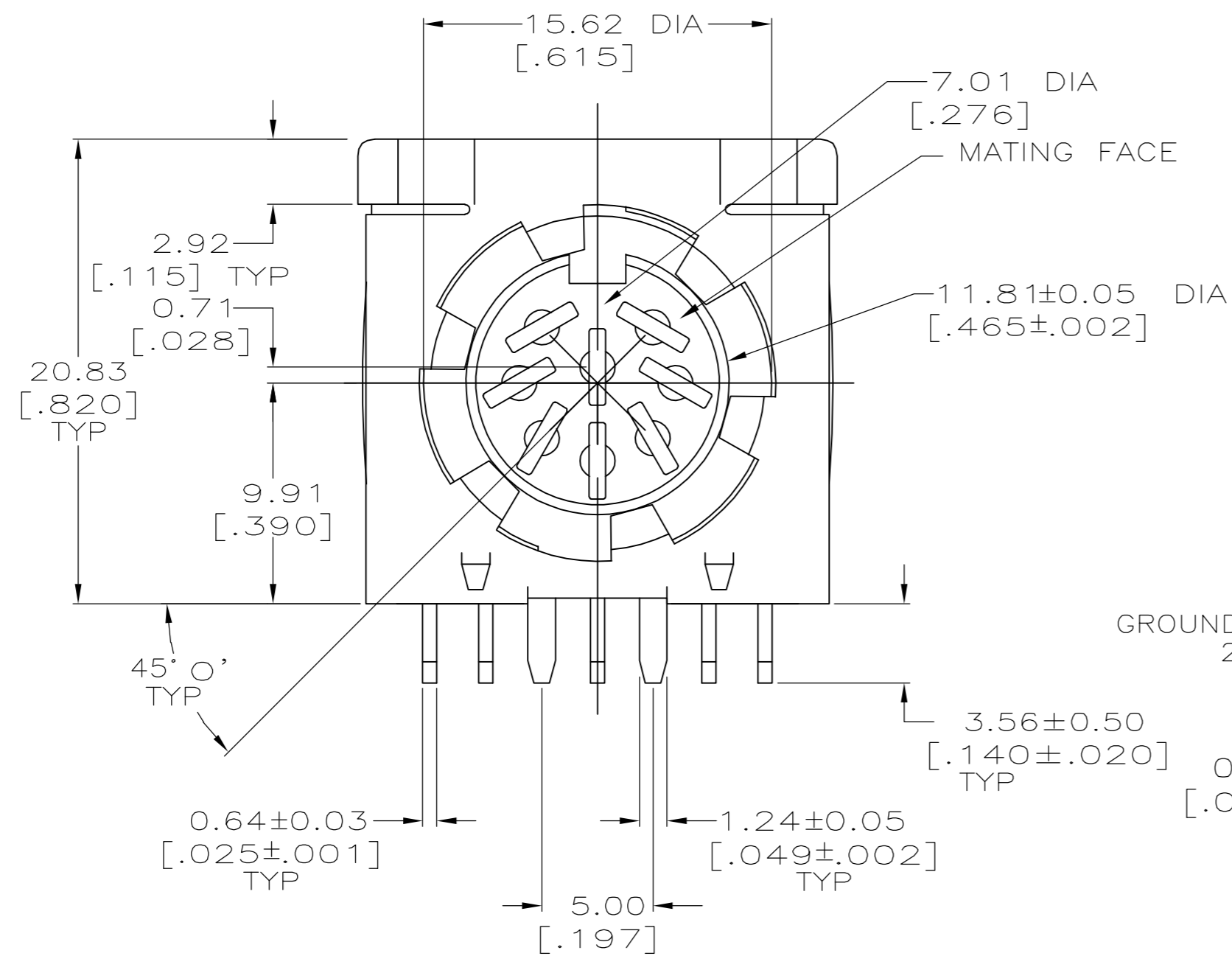
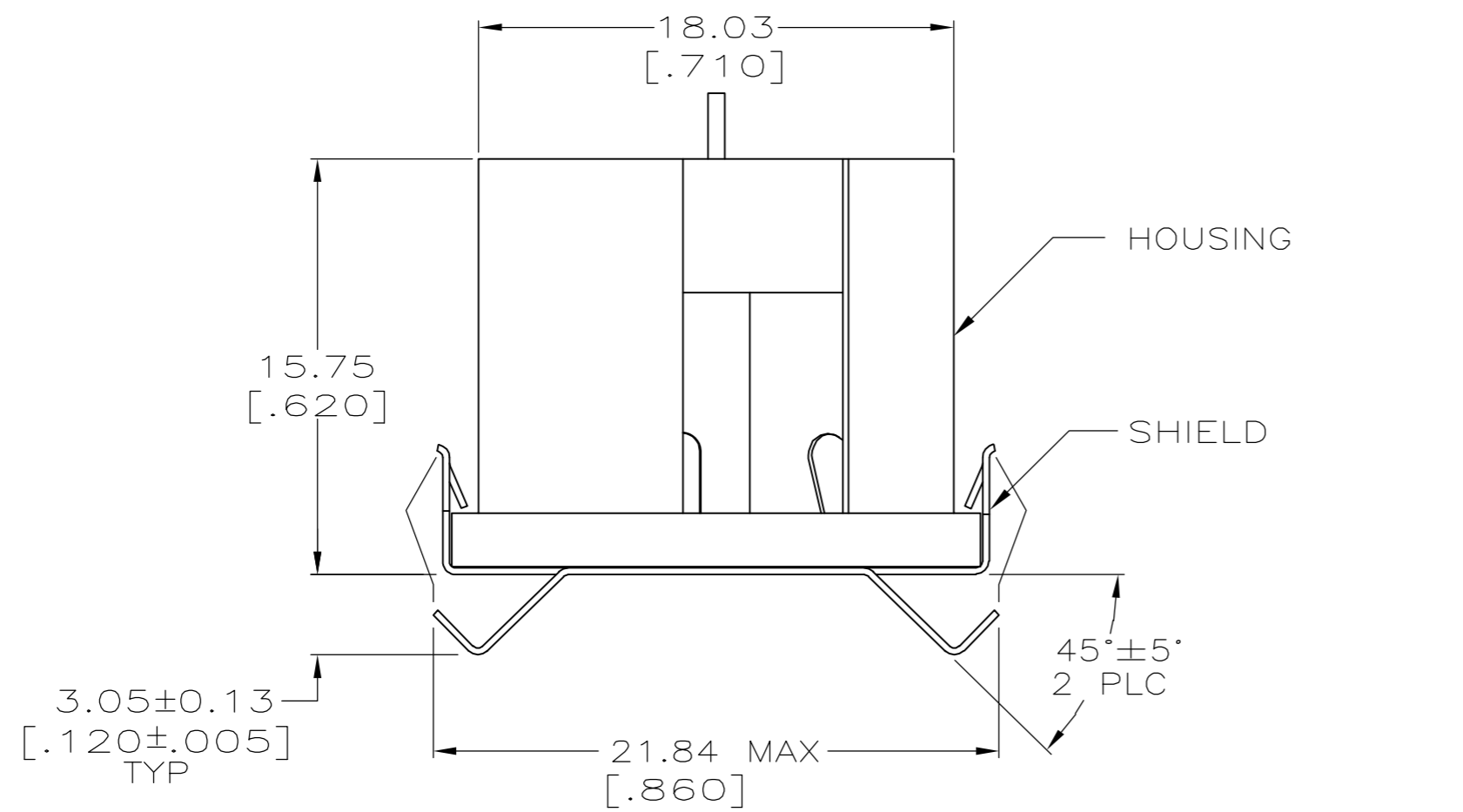
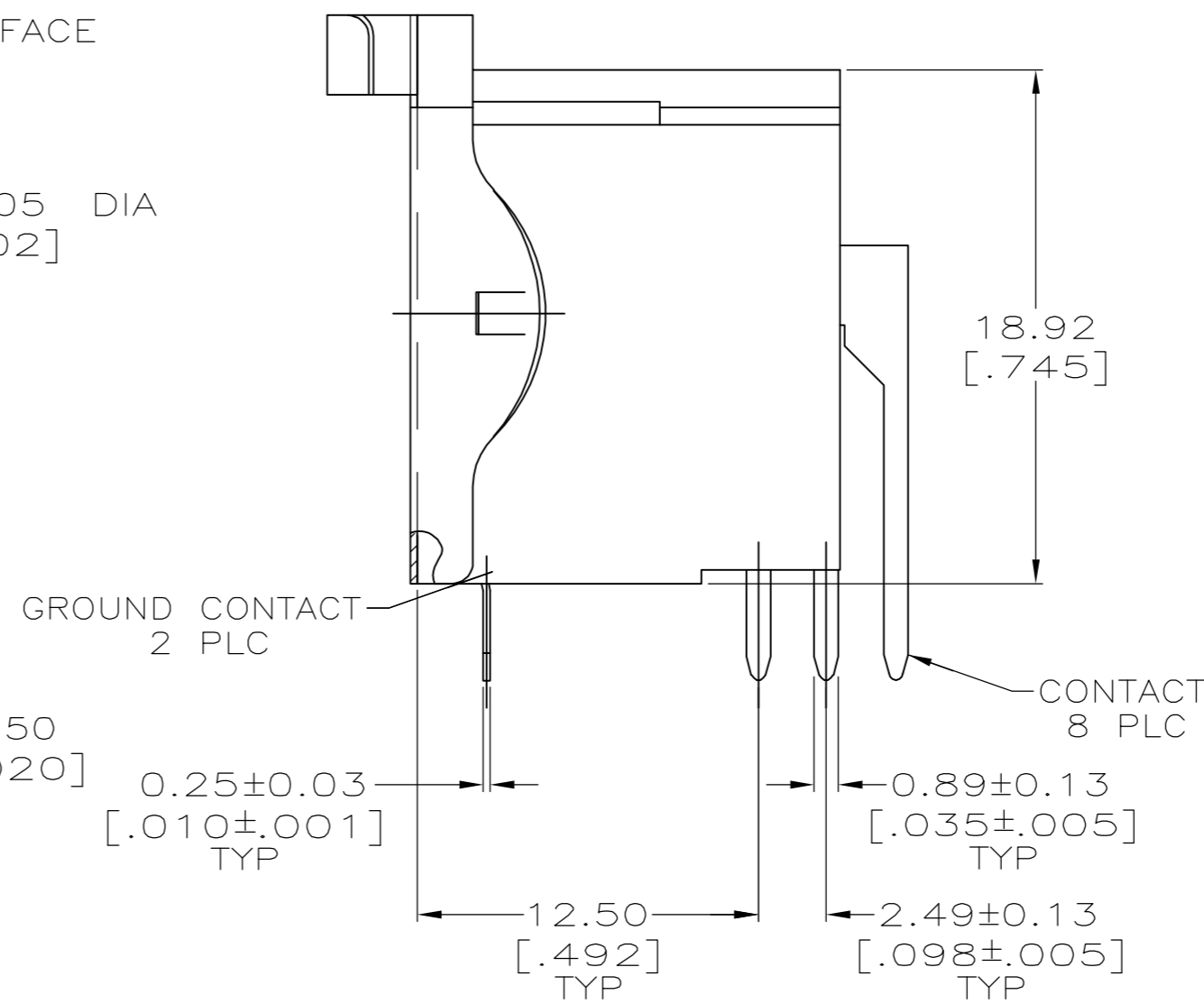


THIS DRAWING IS UNPUBLISHED. RELEASED FOR PUBLICATION
 © COPYRIGHT BY TYCO ELECTRONICS CORPORATION. ALL RIGHTS RESERVED.

LOC		DIST		REVISIONS			
P	LTR	DESCRIPTION	DATE	DWN	APVD		
GP	00	A1	REVISED PER ECO-07-008008	10APR07	JDP	CWR	



- ① HOUSING: NYLON, UL 94V-0 RATED, BLACK.
- ② CONTACTS:
 2.54μm [.000100] MIN TIN-LEAD OVER 1.27μm [.000050] MIN NICKEL.
 2.54μm [.000100] MIN TIN OVER 1.27μm [.000050] MIN NICKEL.



787013-1
 PART NUMBER

THIS DRAWING IS A CONTROLLED DOCUMENT.		DWN CHAD BAKER 08/17/93	tyco Electronics	Tyco Electronics Corporation Harrisburg, PA 17105-3608	
DIMENSIONS: mm [INCHES]		CHK R. STONE 08/18/93		NAME	
TOLERANCES UNLESS OTHERWISE SPECIFIED:		APVD -	PRODUCT SPEC		
0 PLC ± -		1 PLC ± -	APPLICATION SPEC		
2 PLC ± 0.13 [.005]		3 PLC ± -	108-10047		
3 PLC ± -		4 PLC ± -	114-40025		
ANGLES ± -		FINISH	SIZE CAGE CODE DRAWING NO RESTRICTED TO		
MATERIAL ①		FINISH ②	A2 00779 C=787013		
		CUSTOMER DRAWING	SCALE 4:1 SHEET 1 of 1 REV A1		

单击下面可查看定价，库存，交付和生命周期等信息

[>>TE Connectivity\(泰科\)](#)