

REVISIONS				
NO.	DATE	BY	APP'D	DESCRIPTION
1				FIRST VERSION

NOTES :

- △ MATERIALS AND FINISH:
  - HOUSING: PA66
  - CONTACTS: COPPER ALLOY, FINISH: TIN OVER NICKEL UNDERPLATE
  - SPRING: STAINLESS STRIP STEEL

2. MUST COMPLY WITH DIRECTIVE 2002/95/EC (ROHS)

3. WIRE TYPES AND SIZES ACCEPTED  
 WIRE RANGE: 20AWG~26AWG.  
 STRIP LENGTH: 9.5mm~10.5mm

4. PACKAGED IN TRAY.

5. CURRENT RATING: 6Amp AC150V.

6. OPERATION TEMPERATURE: -40°C TO +105°C

P/N: \*-2834015-\*

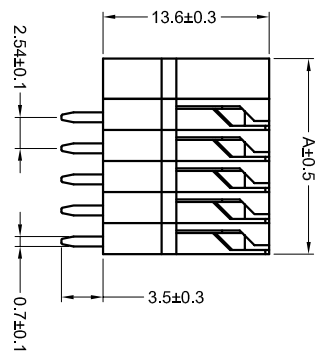
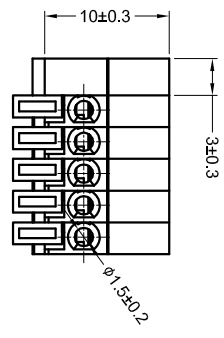
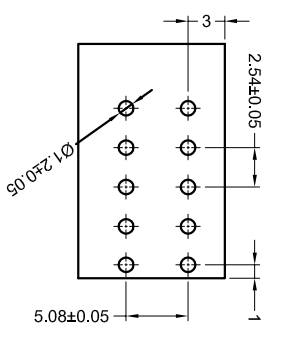
COLOR CODE:

PIN No:

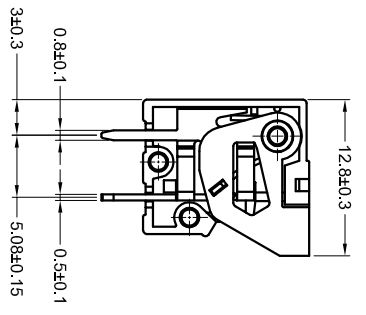
SERIES CODE	POSN
1=GREEN	2=2
2=BLUE	3=3
3=BROWN	4=4
4=ORANGE	5=5
5=GREY	6=6
6=RED	7=7
7=YELLOW	8=8
8=PURPLE	
9=WHITE	
0=BLACK	

REMARK: THE DIFFERENT COLORS COULD BE COMBINED TO THE NEW CONNECTOR P/NS FOR CUSTOMER REQUEST.

PCB Layout



DETAIL INNER



23.32	8 POSN
20.78	7 POSN
18.24	6 POSN
15.70	5 POSN
13.16	4 POSN
10.62	3 POSN
8.08	2 POSN
A	NO. OF POSITIONS

THIS DRAWING IS A CONTROLLED DOCUMENT.

DESIGNER	CHKD	DATE	REV
SHI XIANG	SHI XIANG	14JAN2015	1

TE Connectivity

2.54mm Pitch Modular Screwless Conn.

SIZE: A2 | CODE: 00779 | 2834015

单击下面可查看定价，库存，交付和生命周期等信息

[>>TE Connectivity\(泰科\)](#)