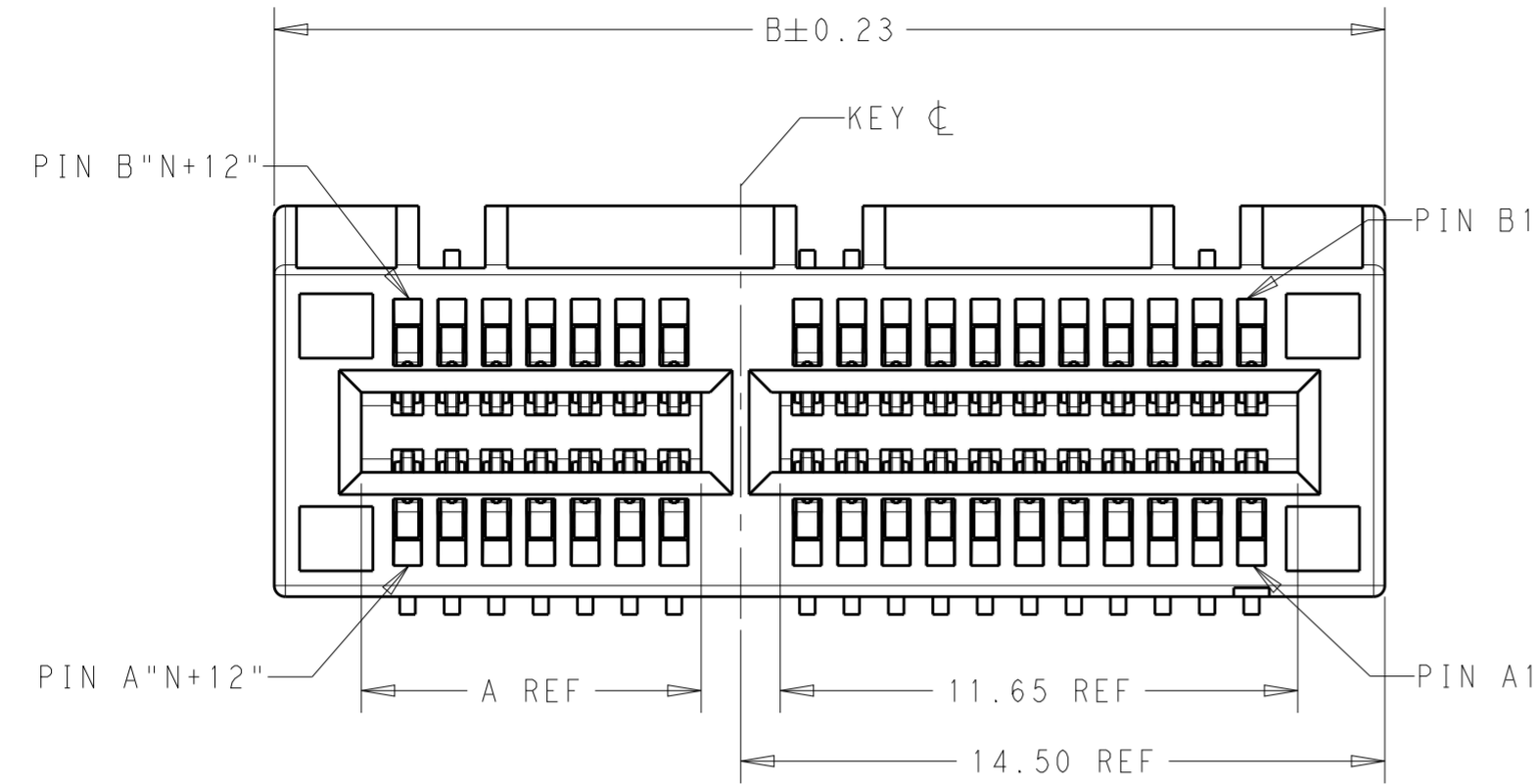


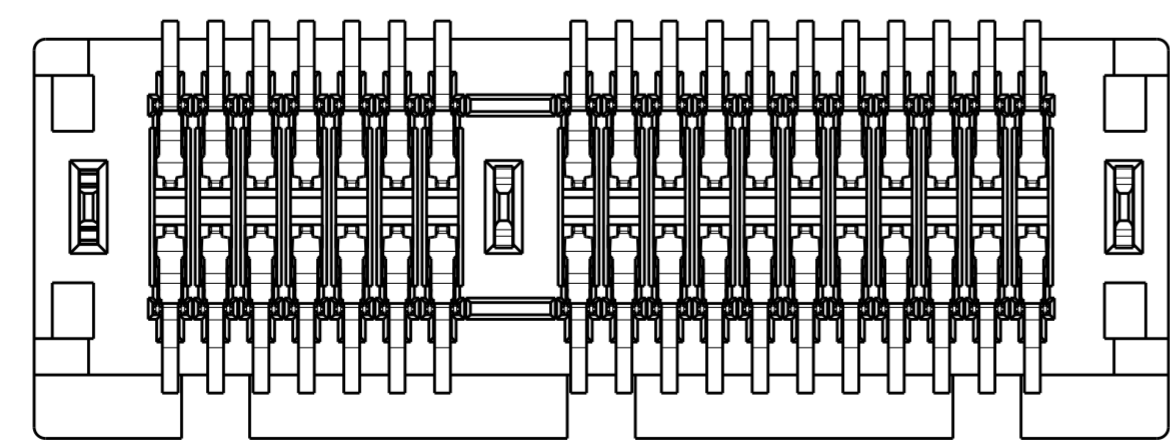
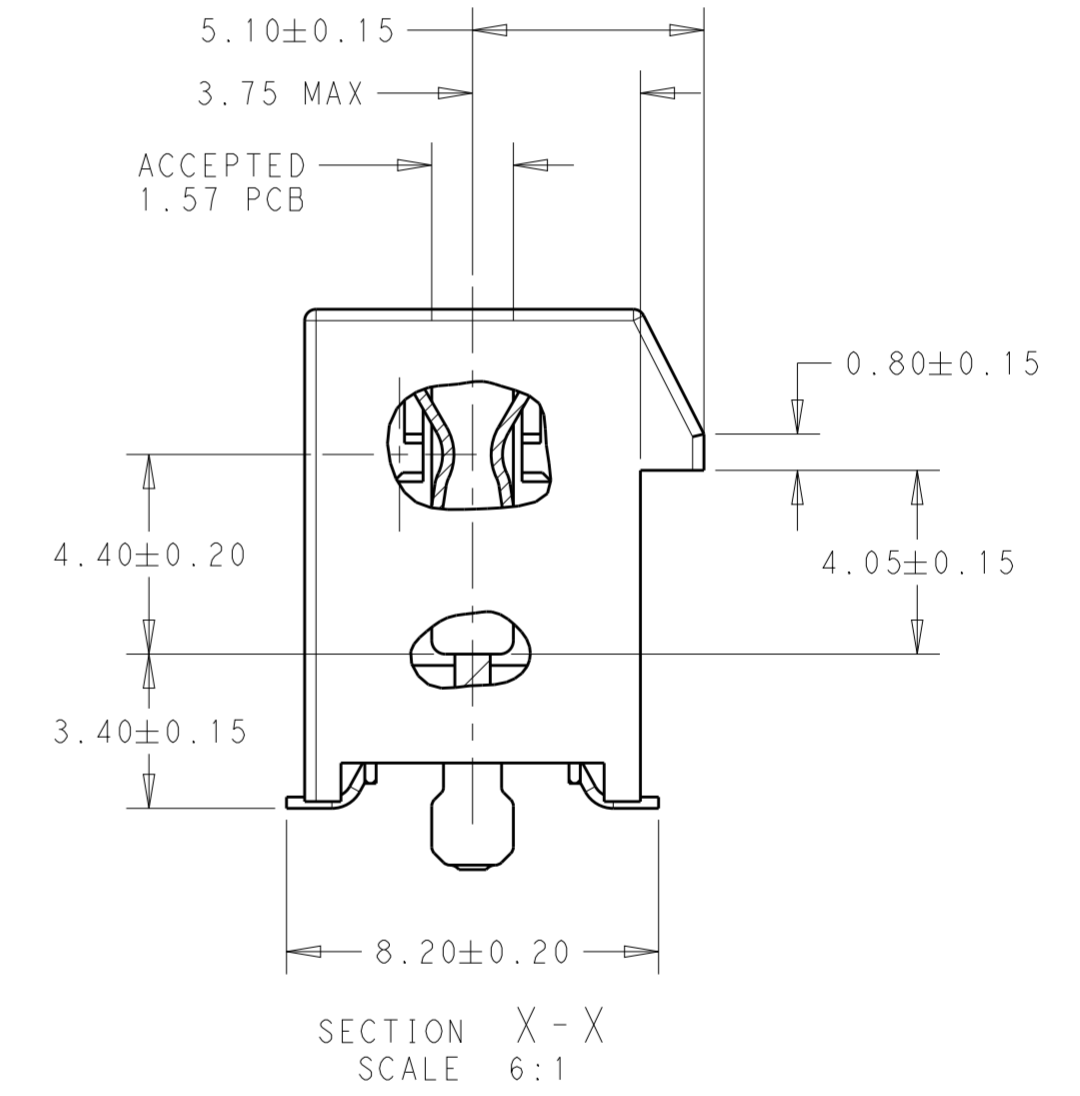
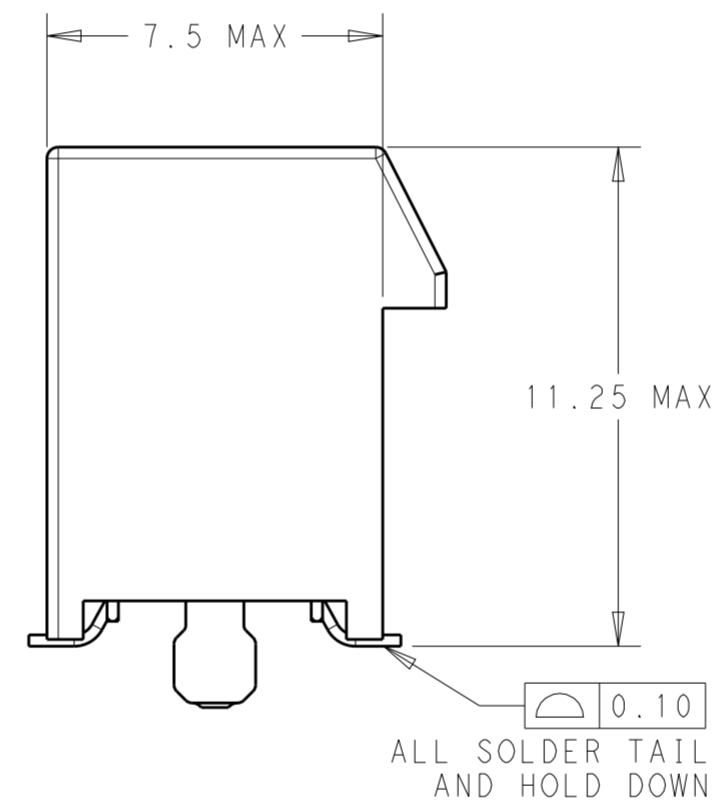
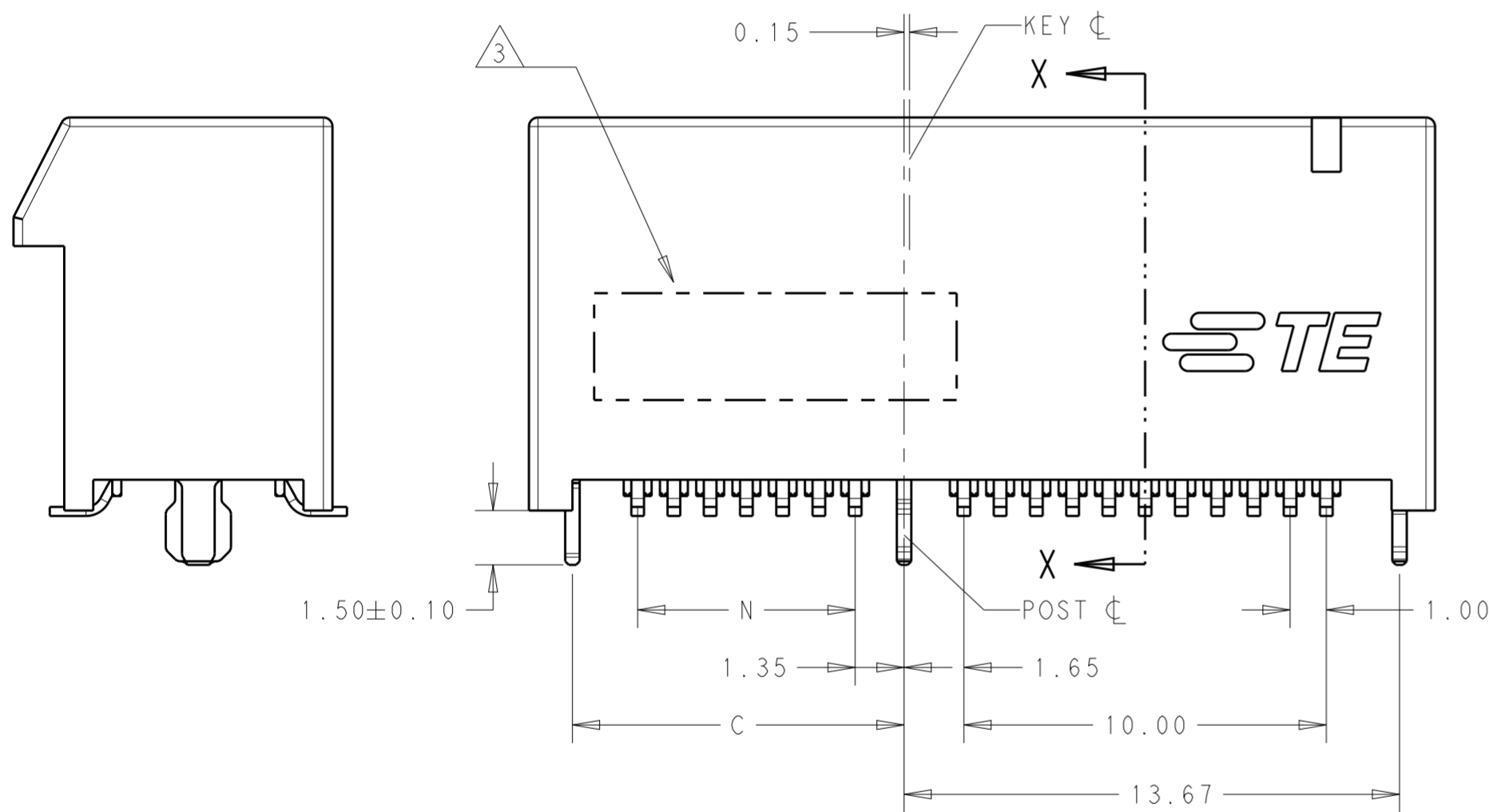
THIS DRAWING IS UNPUBLISHED. RELEASED FOR PUBLICATION 20
 © COPYRIGHT 20 BY - ALL RIGHTS RESERVED.

REVISIONS					
P	LTR	DESCRIPTION	DATE	DWN	APVD
B		REVISE PER ECO-21-000515	14JAN2021	TL	HL



NOTES:

- 1 MATERIAL:
HOUSING: LCP UL94V-0; BLACK
CONTACT: COPPER ALLOY
TAB: COPPER ALLOY OR STAINLESS STEEL
- 2 FINISH:
(SEE TABLE) μm GOLD PLATING ON CONTACT AREA.
 $2.54 \mu\text{m}$ MATTE-TIN PLATING ON SOLDER TAIL AREA.
 $1.27 \mu\text{m}$ NICKEL UNDERPLATING OVERALL.
- 3 PART NUMBR AND DC PRINTED IN APROPRIATE AREA OR OPPOSITE


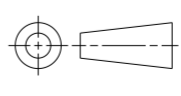


THIS DRAWING IS A CONTROLLED DOCUMENT.		DWN TONY LI 05NOV2019	TE Connectivity	
DIMENSIONS: mm		CHK ALEX SHOAL 05NOV2019		
TOLERANCES UNLESS OTHERWISE SPECIFIED:		APVD HOPE LU 05NOV2019	NAME PCI EXPRESS GEN4 CARD EDGE CONNECTOR SOLDER TAB	
0 PLC \pm 1 PLC ± 0.3 2 PLC ± 0.20 3 PLC ± 0.050 4 PLC \pm ANGLES \pm FINISH \pm		PRODUCT SPEC -	SIZE A200779	CAGE CODE C-2354154
MATERIAL - 1		APPLICATION SPEC -	DRAWING NO -	RESTRICTED TO -
CUSTOMER DRAWING		WEIGHT -	SCALE 4:1	SHEET 1 OF 5
				REV B

THIS DRAWING IS UNPUBLISHED. RELEASED FOR PUBLICATION 20
 © COPYRIGHT 20 BY - ALL RIGHTS RESERVED.

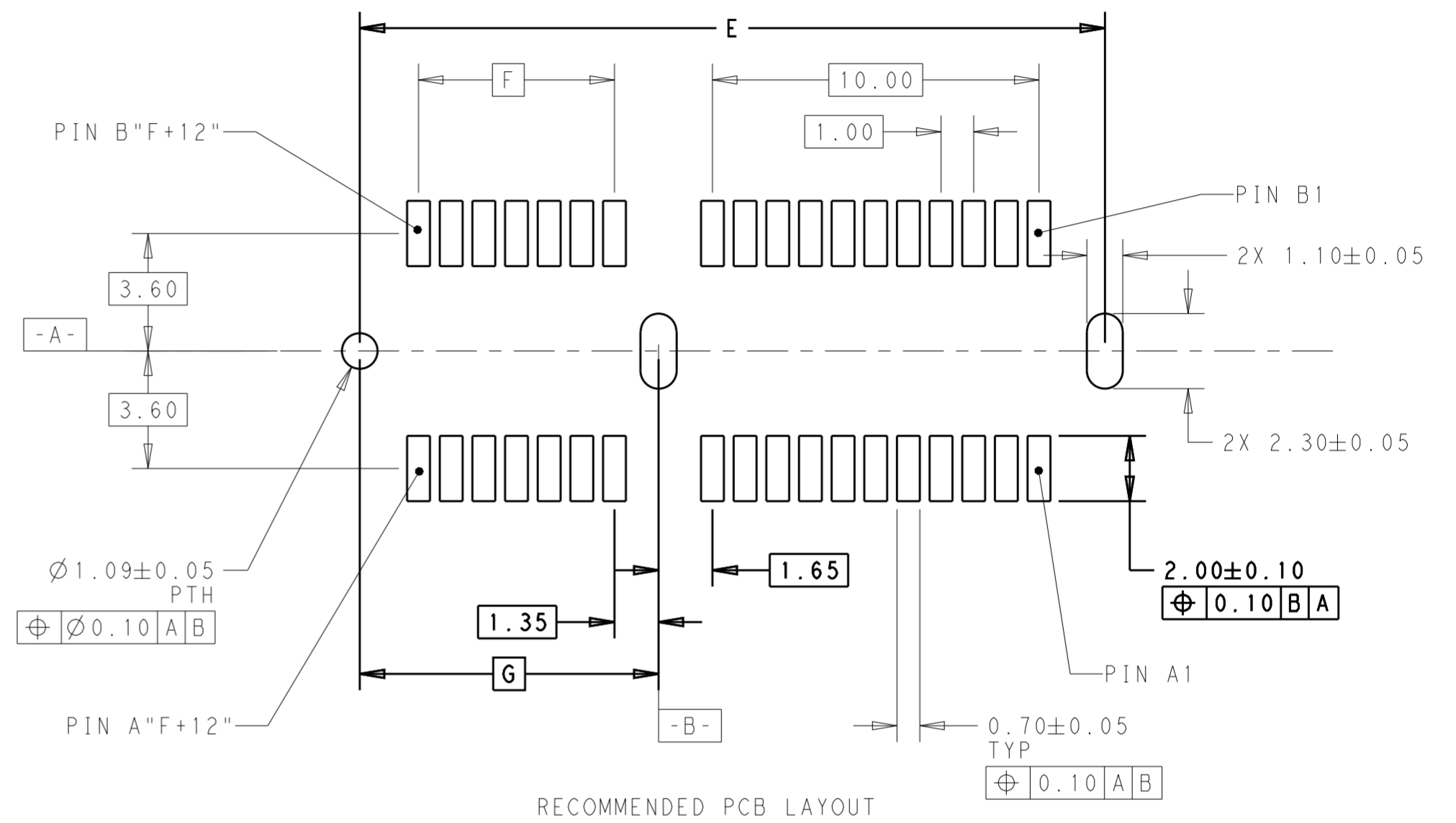
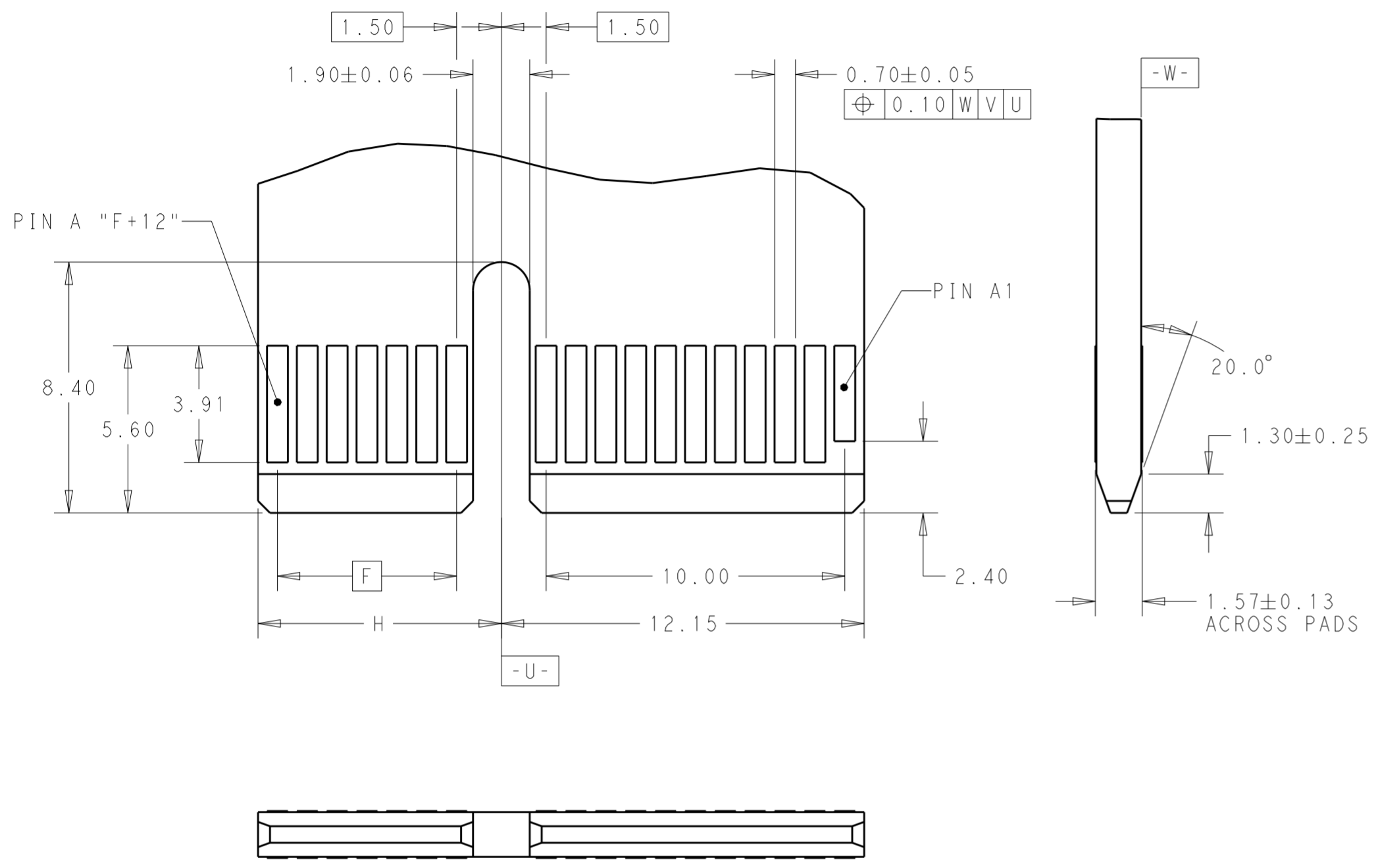
REVISIONS				
P	LTR	DESCRIPTION	DATE	APVD
-		SEE SHEET 1	-	-

PACKAGE 1	108-60121	30u"	86.5	7.0	44.5	70	73.15	89	71.65	164	5-2354154-8
PACKAGE 2		30u"	53.5	7.0	28	37	40.15	56	38.65	98	5-2354154-7
PACKAGE 3		30u"	36.5	7.0	19.5	20	23.15	39	21.65	64	5-2354154-6
TBD		30u"	22.5	7.0	12.5	6	9.15	25	7.65	36	5-2354154-5
PACKAGE 1	108-60121-1	30u"	10.0	10.0	44.5	70	73.15	89	71.65	164	5-2354154-4
PACKAGE 2		30u"	10.0	10.0	28	37	40.15	56	38.65	98	5-2354154-3
PACKAGE 3		30u"	10.0	10.0	19.5	20	23.15	39	21.65	64	5-2354154-2
TBD		30u"	10.0	10.0	12.5	6	9.15	25	7.65	36	5-2354154-1
PACKAGE 1	108-60121-1	15u"	86.5	7.0	44.5	70	73.15	89	71.65	164	4-2354154-8
PACKAGE 2		15u"	53.5	7.0	28	37	40.15	56	38.65	98	4-2354154-7
PACKAGE 3		15u"	36.5	7.0	19.5	20	23.15	39	21.65	64	4-2354154-6
TBD		15u"	22.5	7.0	12.5	6	9.15	25	7.65	36	4-2354154-5
PACKAGE 1	108-60121-1	15u"	10.0	10.0	44.5	70	73.15	89	71.65	164	4-2354154-4
PACKAGE 2		15u"	10.0	10.0	28	37	40.15	56	38.65	98	4-2354154-3
PACKAGE 3		15u"	10.0	10.0	19.5	20	23.15	39	21.65	64	4-2354154-2
TBD		15u"	10.0	10.0	12.5	6	9.15	25	7.65	36	4-2354154-1
PACKAGE 1	108-60121-1	G/F	86.5	7.0	44.5	70	73.15	89	71.65	164	3-2354154-8
PACKAGE 2		G/F	53.5	7.0	28	37	40.15	56	38.65	98	3-2354154-7
PACKAGE 3		G/F	36.5	7.0	19.5	20	23.15	39	21.65	64	3-2354154-6
TBD		G/F	22.5	7.0	12.5	6	9.15	25	7.65	36	3-2354154-5
PACKAGE 1	108-60121-1	G/F	10.0	10.0	44.5	70	73.15	89	71.65	164	3-2354154-4
PACKAGE 2		G/F	10.0	10.0	28	37	40.15	56	38.65	98	3-2354154-3
PACKAGE 3		G/F	10.0	10.0	19.5	20	23.15	39	21.65	64	3-2354154-2
TBD		G/F	10.0	10.0	12.5	6	9.15	25	7.65	36	3-2354154-1
PACKAGE 1	108-60121	30u"		NA	44.5	70	73.15	89	71.65	164	2-2354154-4
PACKAGE 2		30u"		NA	28	37	40.15	56	38.65	98	2-2354154-3
PACKAGE 3		30u"		NA	19.5	20	23.15	39	21.65	64	2-2354154-2
TBD		30u"		NA	12.5	6	9.15	25	7.65	36	2-2354154-1
PACKAGE 1	108-60121-1	15u"		NA	44.5	70	73.15	89	71.65	164	6-2354154-4
PACKAGE 2		15u"		NA	28	37	40.15	56	38.65	98	6-2354154-3
PACKAGE 3		15u"		NA	19.5	20	23.15	39	21.65	64	6-2354154-2
TBD		15u"		NA	12.5	6	9.15	25	7.65	36	6-2354154-1
PACKAGE 1	108-60121-1	G/F		NA	44.5	70	73.15	89	71.65	164	2354154-4
PACKAGE 2		G/F		NA	28	37	40.15	56	38.65	98	2354154-3
PACKAGE 3		G/F		NA	19.5	20	23.15	39	21.65	64	2354154-2
TBD		G/F		NA	12.5	6	9.15	25	7.65	36	2354154-1
PACKAGING SPEC	PRODUCT SPEC	GOLD PLATING	W	V	J	N	C	B	A	POS.	PART NUMBER
			MYLAR SIZE (PAGE 4)								

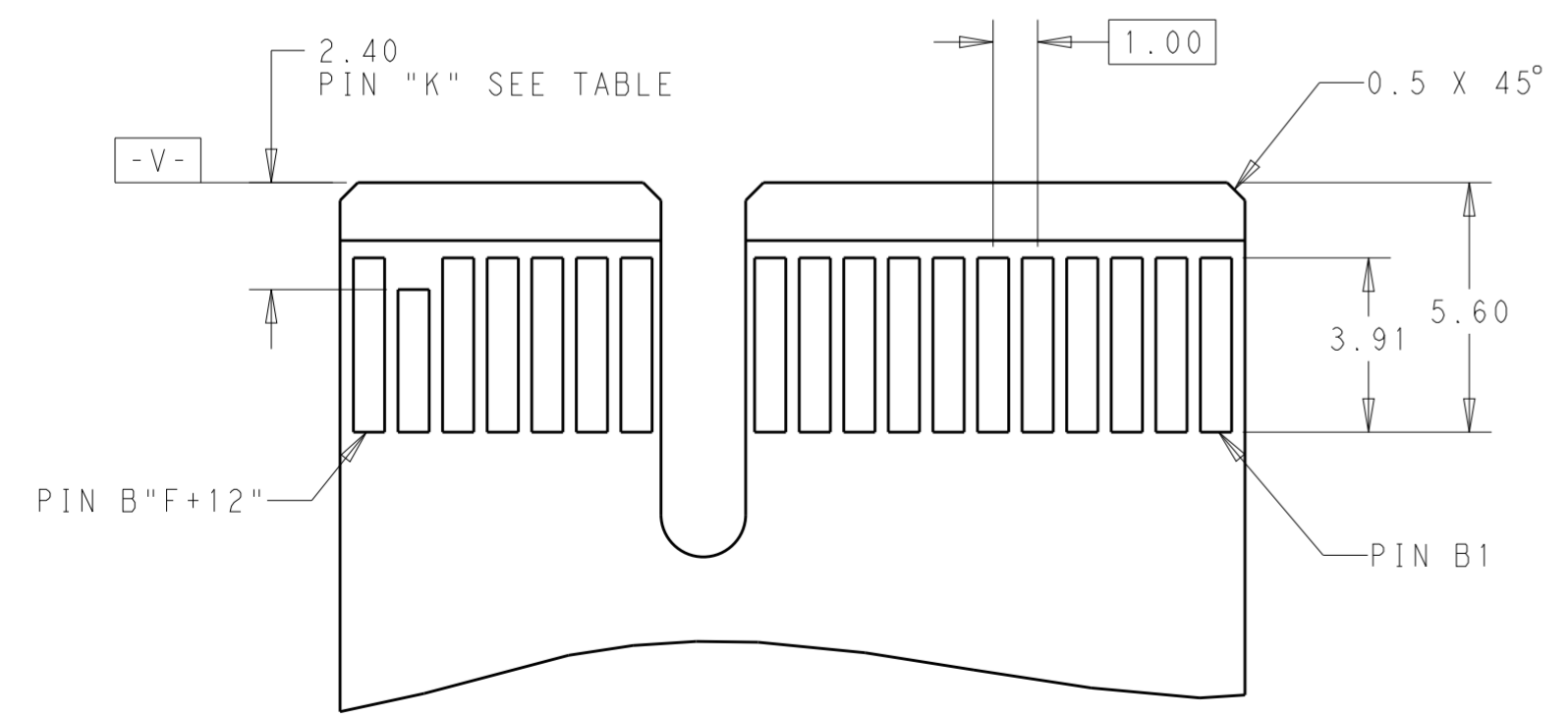
THIS DRAWING IS A CONTROLLED DOCUMENT.		DWN TQNY LI 05NOV2019	 TE Connectivity	
DIMENSIONS: mm		CHK ALEX SHOAL 05NOV2019		
TOLERANCES UNLESS OTHERWISE SPECIFIED:		APVD HOPE LU 05NOV2019	NAME PCI EXPRESS GEN4 CARD EDGE CONNECTOR SOLDER TAB	
		PRODUCT SPEC	SIZE CAGE CODE DRAWING NO RESTRICTED TO	
MATERIAL		APPLICATION SPEC	A200779 C-2354154	
		WEIGHT	SCALE 4:1 SHEET 2 OF 5 REV B	
		CUSTOMER DRAWING		

THIS DRAWING IS UNPUBLISHED. RELEASED FOR PUBLICATION 20
 © COPYRIGHT 20 BY - ALL RIGHTS RESERVED.

REVISIONS					
P	LTR	DESCRIPTION	DATE	DWN	APVD
-	-	SEE SHEET 1	-	-	-



RECOMMENDED PCB LAYOUT



ADD-IN CARD EDGE-FINGER DIMENSION

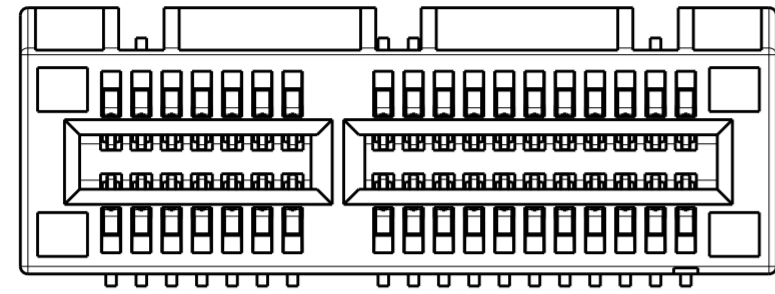
POS.	DIM. E	DIM. F	DIM. G	DIM. H	"K"
164	86.82	70	73.15	72.15	A1,B17,B31,B48,B81
98	53.82	37	40.15	39.15	A1,B17,B31,B48
64	36.82	20	23.15	22.15	A1,B17,B31
36	22.82	6	9.15	8.15	A1,B17

THIS DRAWING IS A CONTROLLED DOCUMENT.

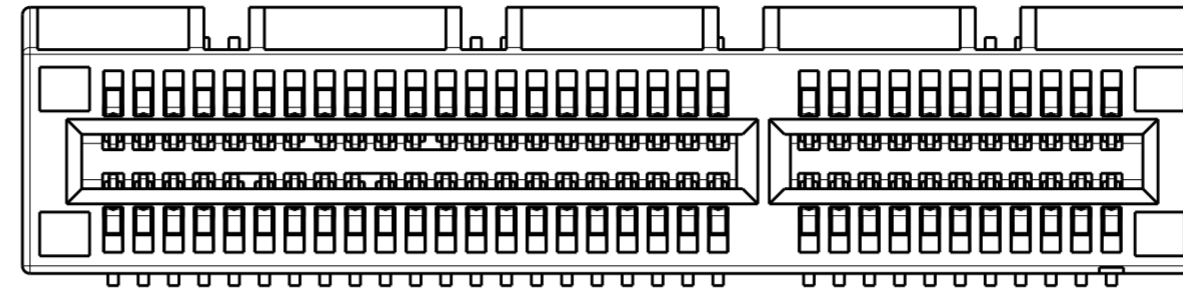
DWN	TONY LI	05NOV2019	TE Connectivity PCI EXPRESS GEN4 CARD EDGE CONNECTOR SOLDER TAB			
CHK	ALEX SHOAL	05NOV2019				
APVD	HOPE LU	05NOV2019				
NAME						
DIMENSIONS:	TOLERANCES UNLESS OTHERWISE SPECIFIED:		SIZE	CAGE CODE	DRAWING NO	RESTRICTED TO
mm	0 PLC ±	1 PLC ±0.3	A2	00779	C-2354154	-
	2 PLC ±0.20	3 PLC ±0.050	SCALE	4:1	SHEET	3 OF 5
	4 PLC ±	ANGLES ±	CUSTOMER DRAWING		REV	B
MATERIAL		FINISH				

THIS DRAWING IS UNPUBLISHED. RELEASED FOR PUBLICATION 20
 © COPYRIGHT 20 BY - ALL RIGHTS RESERVED.

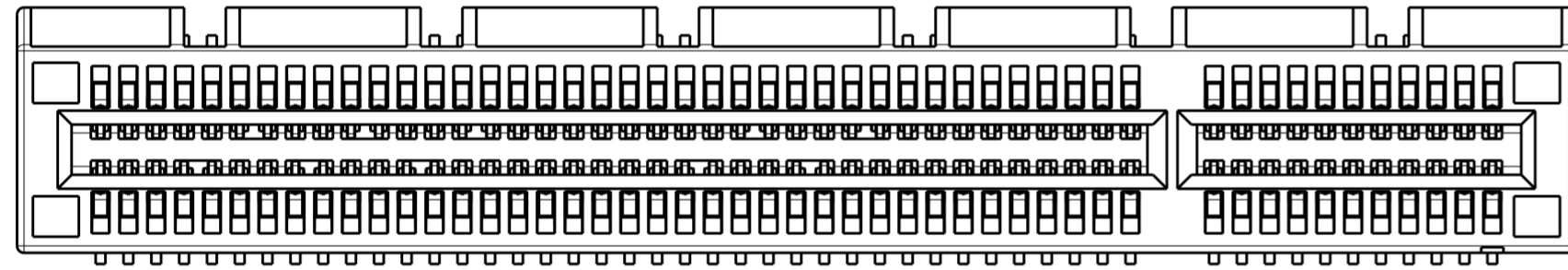
REVISIONS				
P	LTR	DESCRIPTION	DATE	APVD
-		SEE SHEET 1	-	-



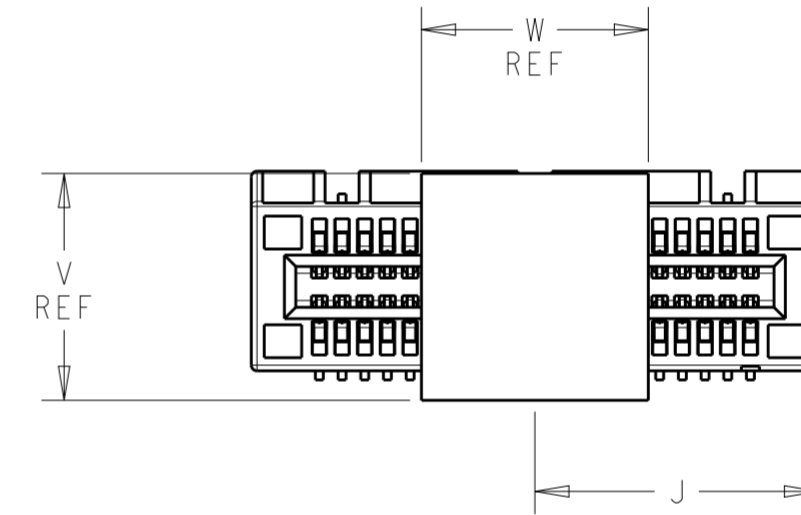
36POS AS SHOWN



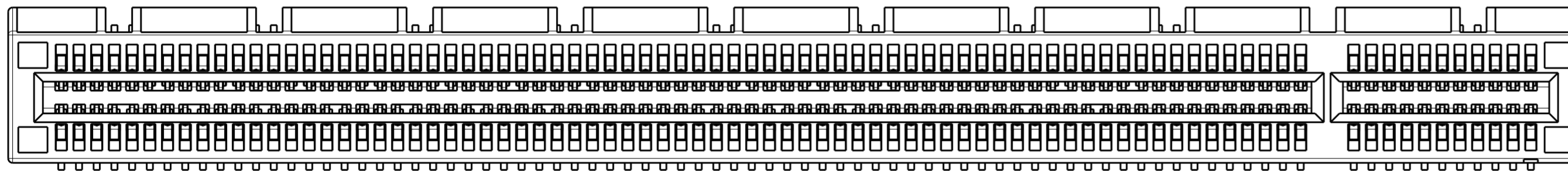
64POS AS SHOWN



98POS AS SHOWN



MYLAR SIZE

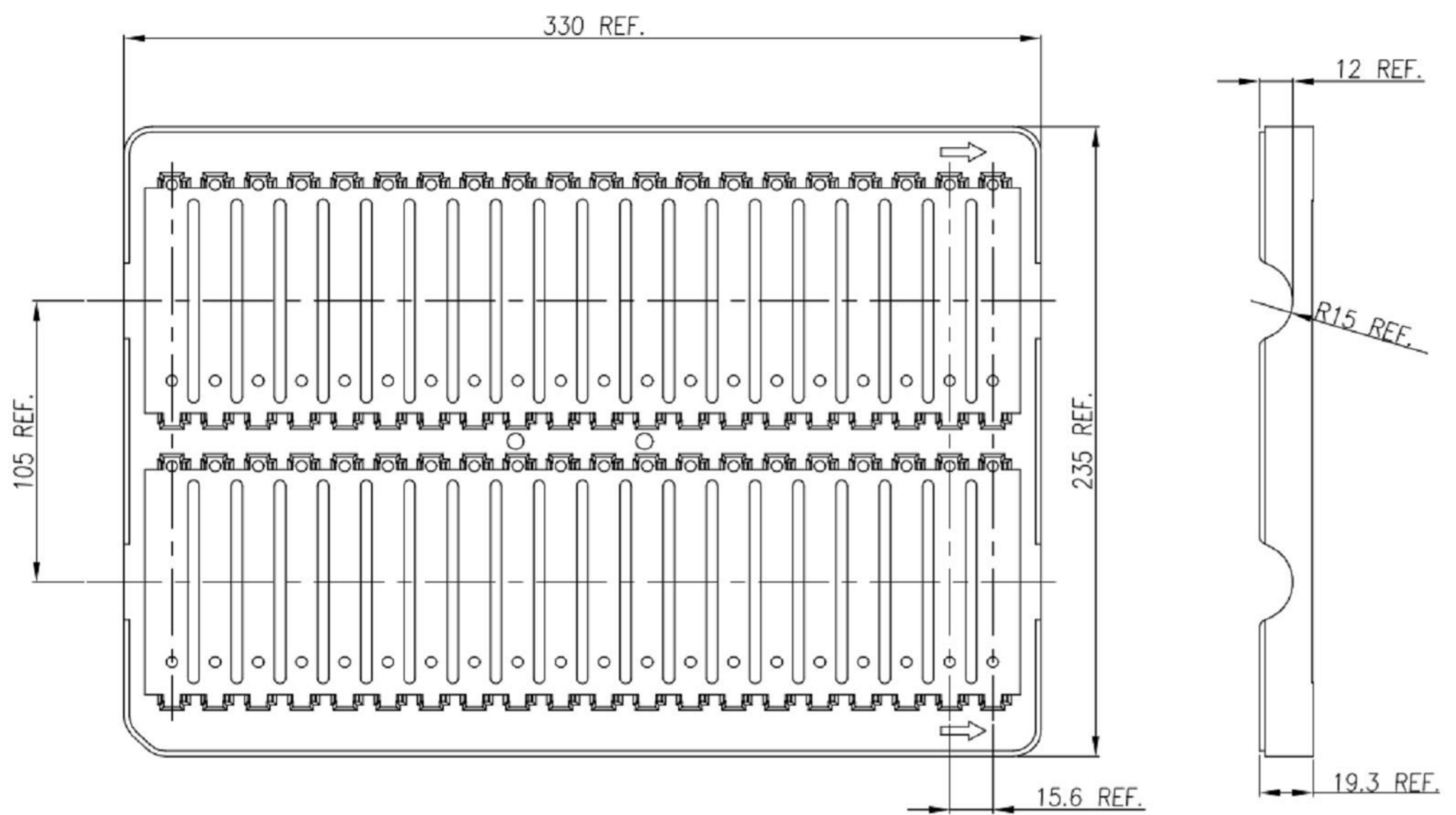


164POS AS SHOWN

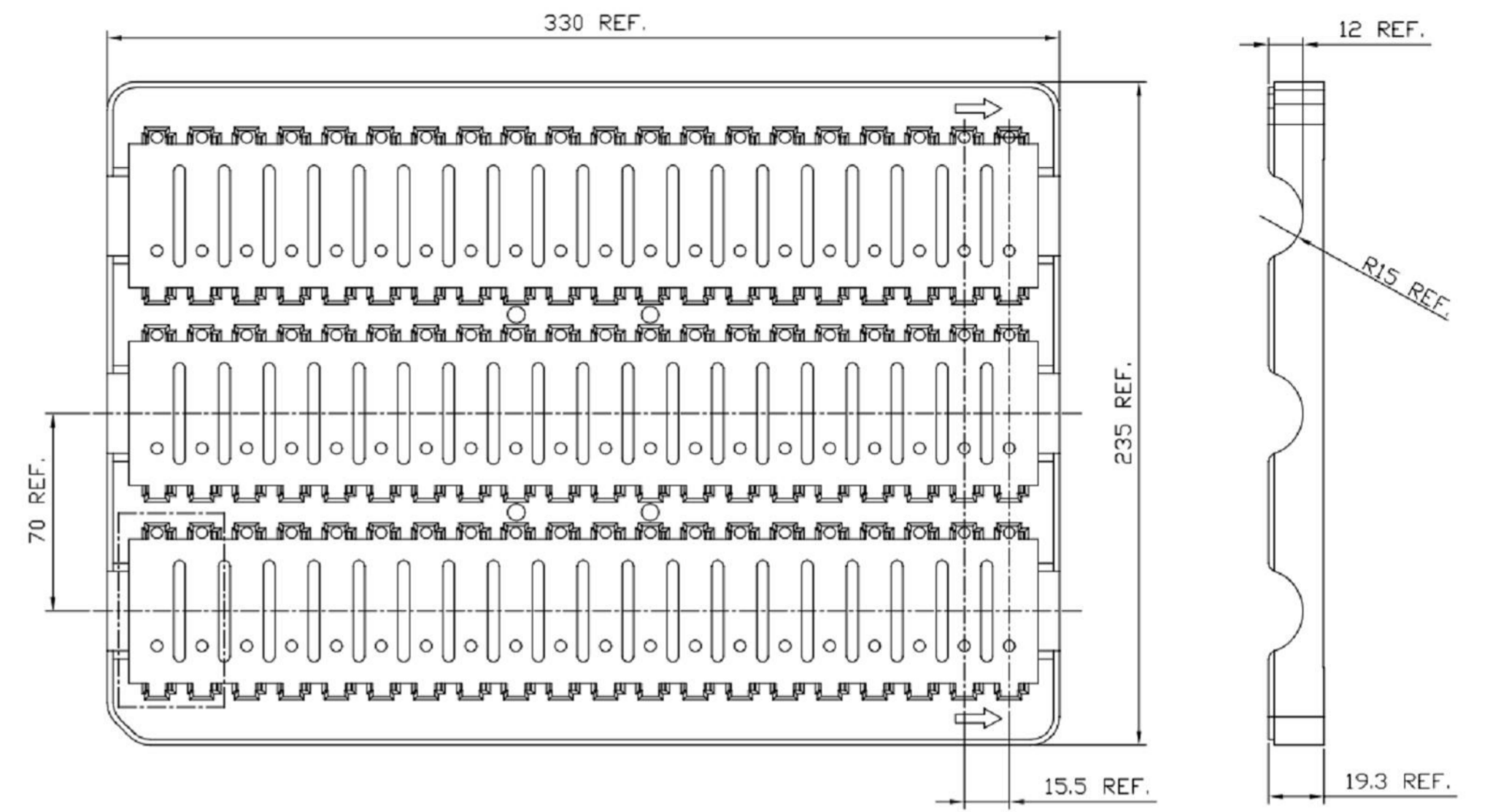
THIS DRAWING IS A CONTROLLED DOCUMENT.		DWN TONY LI 05NOV2019		
		CHK ALEX SHOAL 05NOV2019		
		APVD HOPE LU 05NOV2019	NAME PCI EXPRESS GEN4 CARD EDGE CONNECTOR SOLDER TAB	
DIMENSIONS:		PRODUCT SPEC		
mm		APPLICATION SPEC		
		WEIGHT		
TOLERANCES UNLESS OTHERWISE SPECIFIED:		SCALE 4:1 SHEET 4 OF 5 REV B		
MATERIAL		CUSTOMER DRAWING		
0 PLC ± 1 PLC ±0.3 2 PLC ±0.20 3 PLC ±0.050 4 PLC ± ANGLES ± FINISH ±		SIZE A200779 CAGE CODE C-2354154 DRAWING NO RESTRICTED TO		

THIS DRAWING IS UNPUBLISHED. RELEASED FOR PUBLICATION 20
 © COPYRIGHT 20 BY - ALL RIGHTS RESERVED.

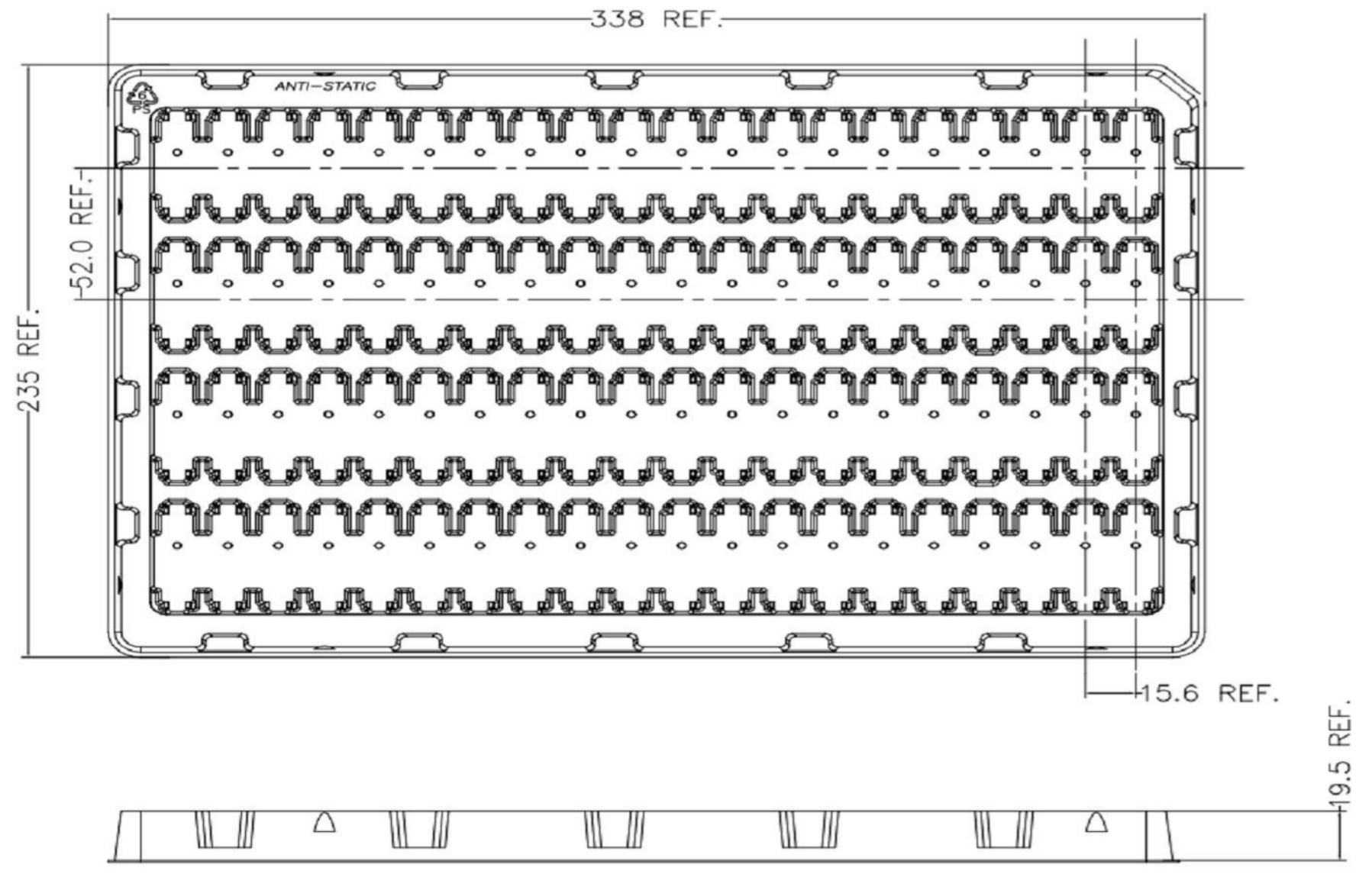
REVISIONS				
P	LTR	DESCRIPTION	DATE	APVD
-	-	SEE SHEET 1	-	-




PACKAGE 1



PACKAGE 2



PACKAGE 3

THIS DRAWING IS A CONTROLLED DOCUMENT.		DWN TONY LI 05NOV2019	 TE Connectivity		
DIMENSIONS: mm		CHK ALEX SHOAL 05NOV2019			NAME PCI EXPRESS GEN4 CARD EDGE CONNECTOR SOLDER TAB
TOLERANCES UNLESS OTHERWISE SPECIFIED:		APVD HOPE LU 05NOV2019			SIZE CAGE CODE DRAWING NO RESTRICTED TO
0 PLC ± 1 PLC ±0.3 2 PLC ±0.20 3 PLC ±0.050 4 PLC ± ANGLES ± FINISH ±		PRODUCT SPEC -			A200779 C-2354154 -
MATERIAL -		APPLICATION SPEC -	WEIGHT -	SCALE 4:1 SHEET 5 OF 5 REV B	
CUSTOMER DRAWING					

单击下面可查看定价，库存，交付和生命周期等信息

[>>TE Connectivity\(泰科\)](#)