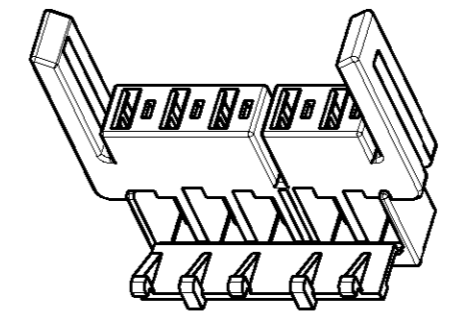
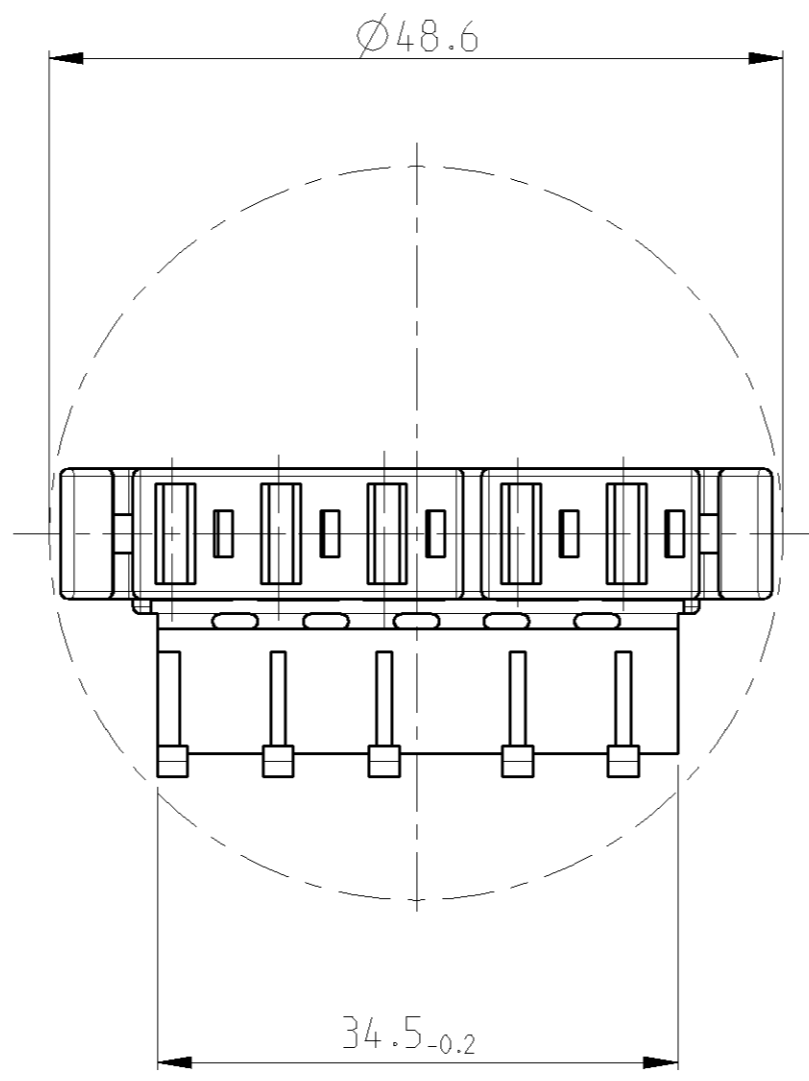
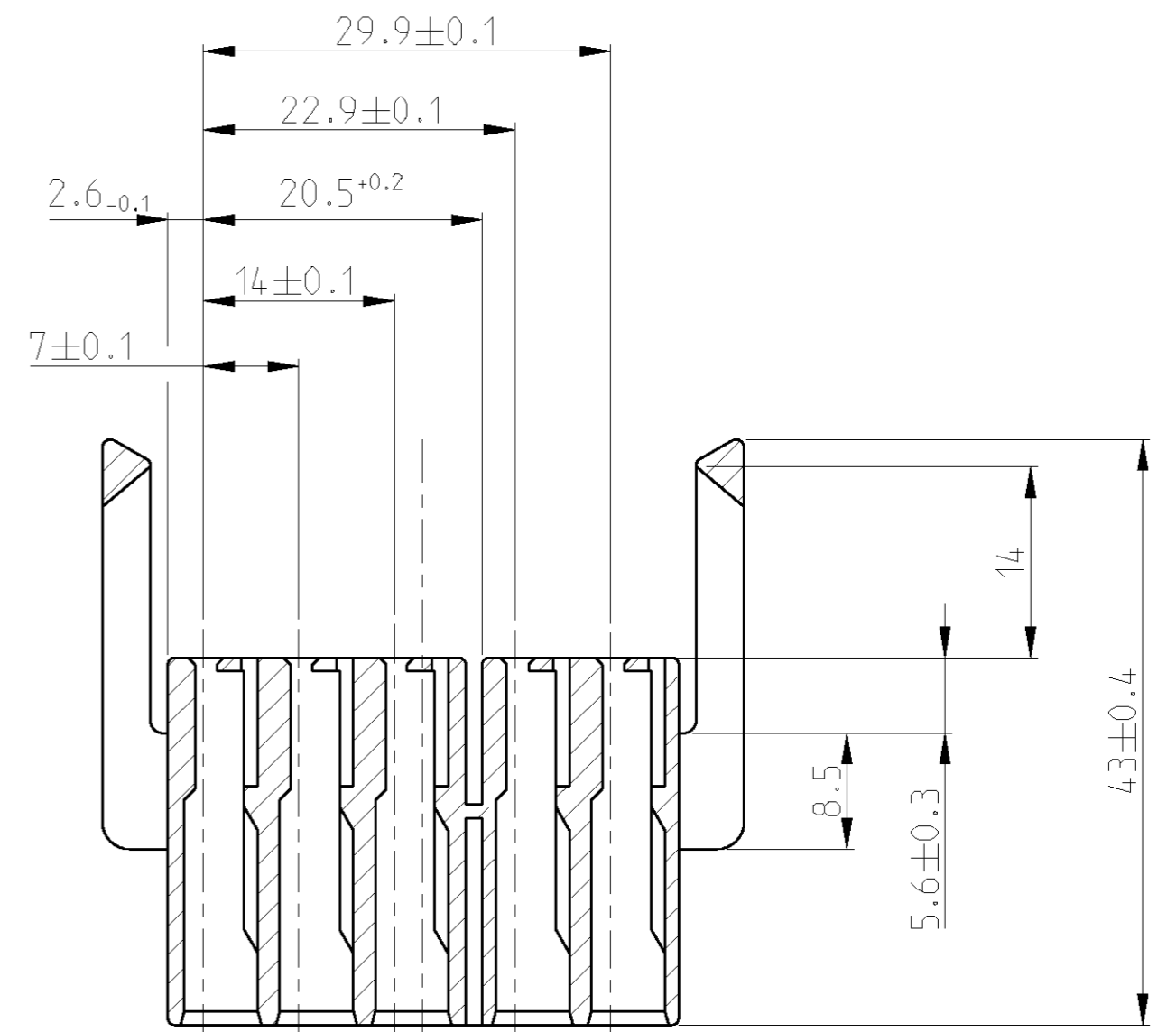
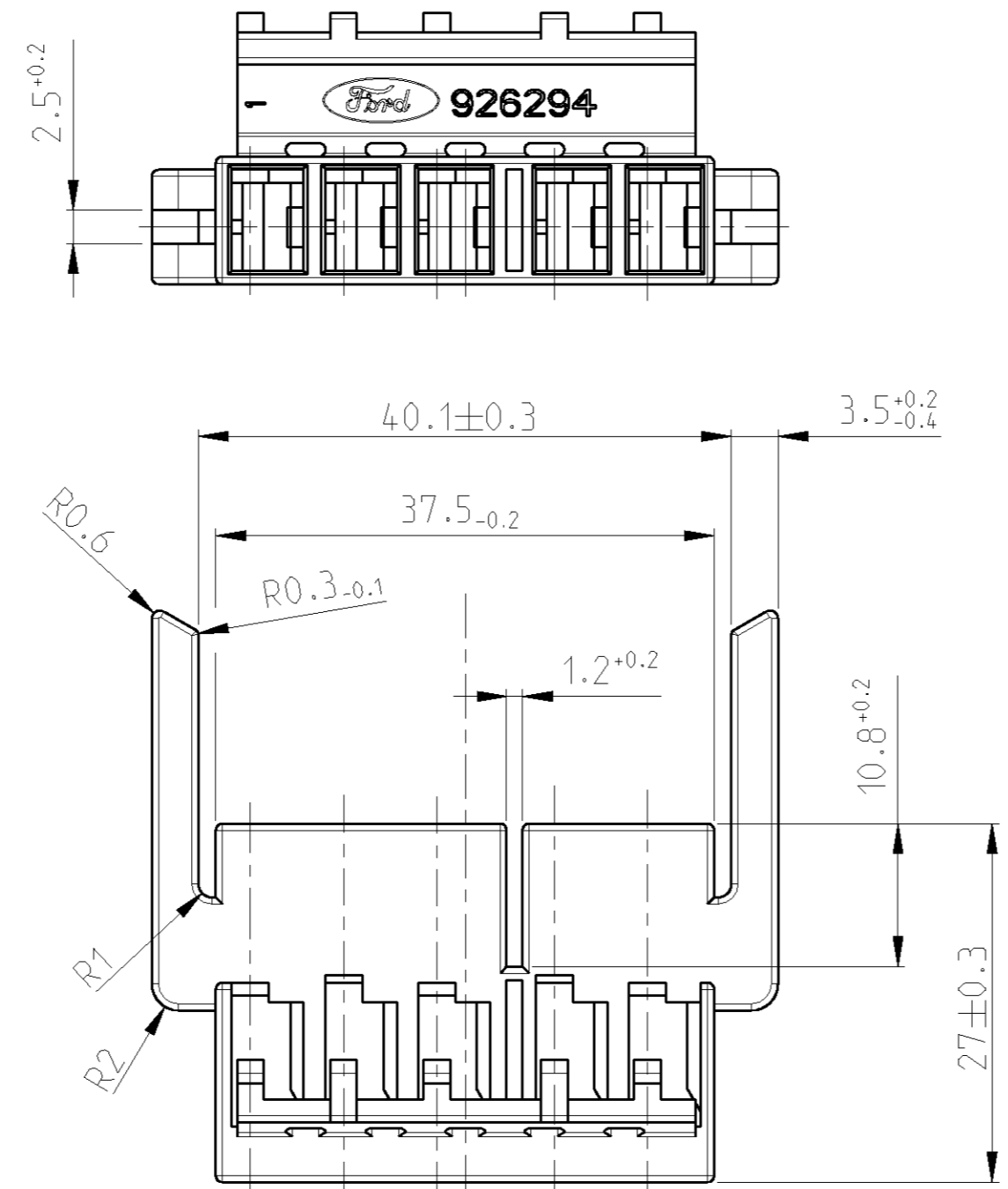
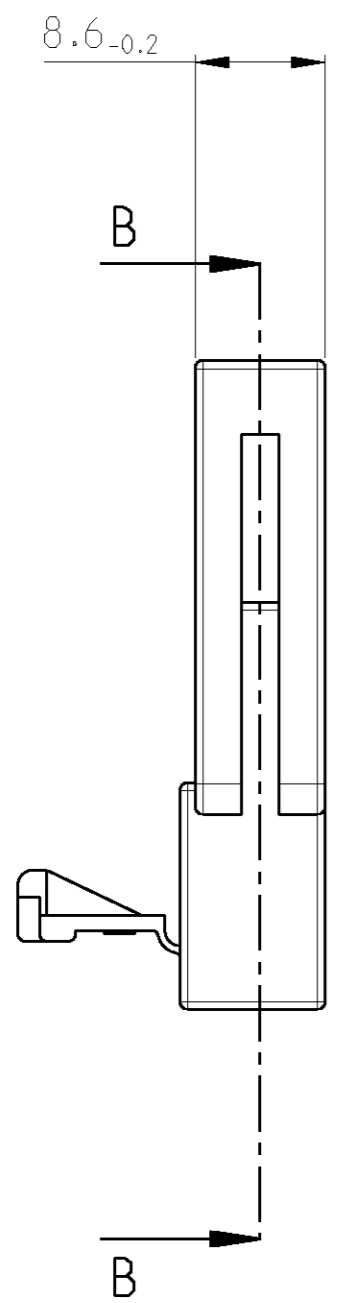


THIS DRAWING IS UNPUBLISHED. RELEASED FOR PUBLICATION 2005
 © COPYRIGHT 2005 BY TYCO ELECTRONICS CORPORATION. ALL RIGHTS RESERVED.

LOC		DIST		REVISIONS			
P	LTR	DESCRIPTION	DATE	DWN	APVD		
A1	-	H1	NEW CAD ProE DRAWING CREATED	17JUL2006	Abr	Goep	



1:1

NOTES
Bemerkungen

1 ALL RADII 0.5 $\begin{matrix} +0.2 \\ -0.1 \end{matrix}$ EXCEPT AS NOTED
 Unbemaste Radien R 5 $\begin{matrix} +0.2 \\ -0.1 \end{matrix}$

BLACK	Polyamid 6.6	926294-1	H
COLOR	MATERIAL	PART- NUMBER	REV.

THIS DRAWING IS A CONTROLLED DOCUMENT FOR TYCO ELECTRONICS CORPORATION IT IS SUBJECT TO CHANGE AND THE CONTROLLING ENGINEERING ORGANIZATION SHOULD BE CONTACTED FOR THE LATEST REVISION.		DWN Abraham, G. 17JUL2006	tyco Electronics		tyco Electronics AMP GmbH D - 64625 Bensheim	
DIMENSIONS: mm		CHK Goepfel, C. 18JUL2006	NAME 5 POS. POSITIVE MATE REC. HSG; 5 pol. Positive Mate Steckhuelsengeh.			
TOLERANCES UNLESS OTHERWISE SPECIFIED: 0 PLC $\begin{matrix} \pm \\ \pm \end{matrix}$ 1 PLC $\begin{matrix} \pm \\ \pm \end{matrix}$ 2 PLC $\begin{matrix} \pm \\ \pm \end{matrix}$ 3 PLC $\begin{matrix} \pm \\ \pm \end{matrix}$ 4 PLC $\begin{matrix} \pm \\ \pm \end{matrix}$ ANGLES $\begin{matrix} \pm \\ \pm \end{matrix}$ 30° FINISH		APVD -	PRODUCT SPEC -			
MATERIAL -		APVD -	APPLICATION SPEC -			
		WEIGHT -	SIZE A2		CAGE CODE 00779	DRAWING NO G=926294
		CUSTOMER DRAWING		SCALE 2:1	SHEET 1	OF 1
				REV. H1		

单击下面可查看定价，库存，交付和生命周期等信息

[>>TE Connectivity\(泰科\)](#)