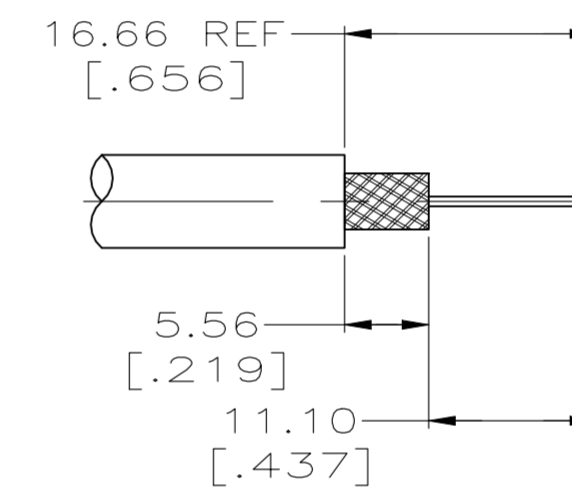
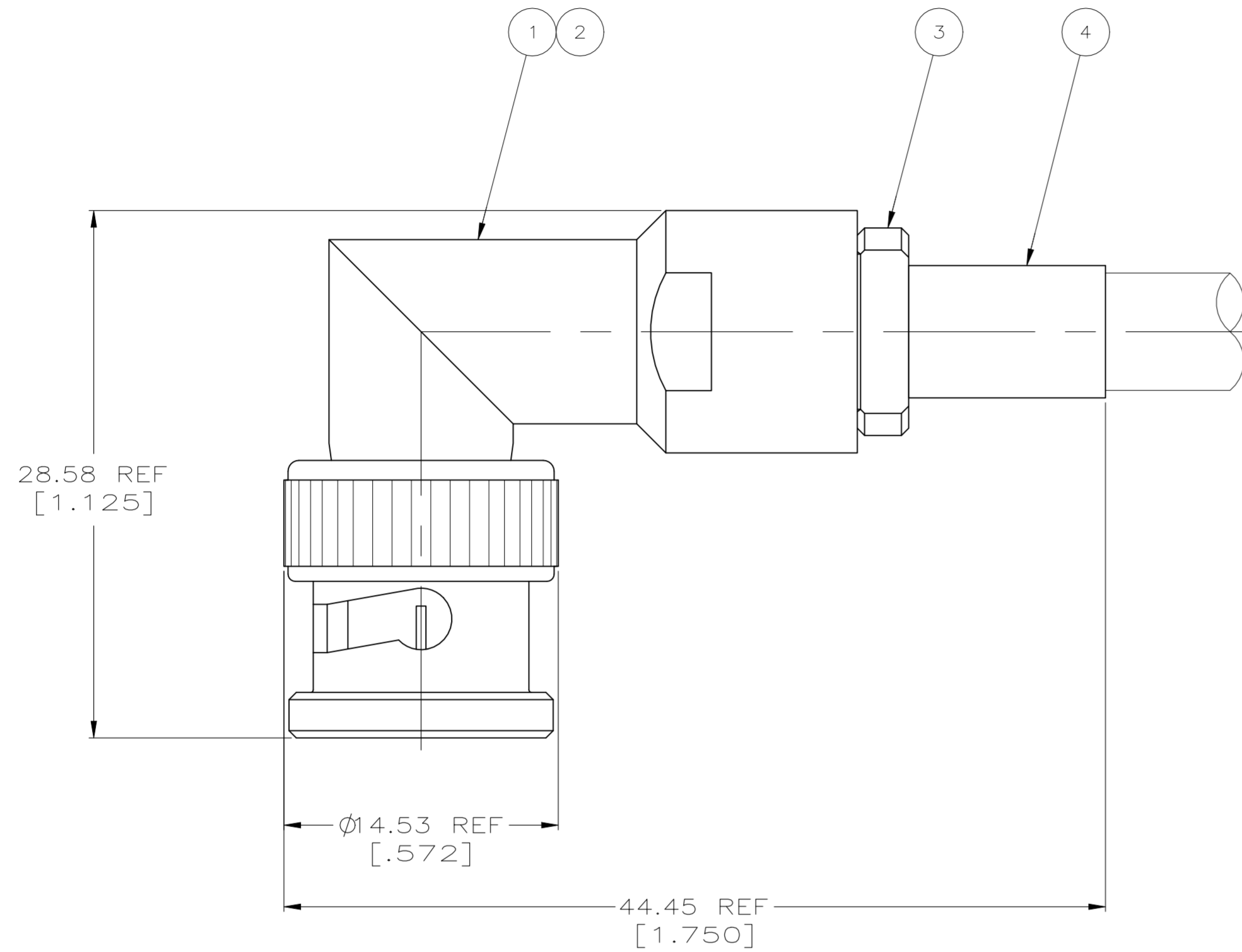


REVISIONS					
P	LTR	DESCRIPTION	DATE	DWN	APVD
	K1	REVISED PER ECN-21-122181	18OCT2021	RZ	WK

1. USE INSTRUCTION SHEET 1799-5



SUPERSEDED BY 329926	-	-	-	-	-	-	2-331182-1
	RG-55/U, 55A/U, 55B/U, 223/U	69140-2	9-414489-0	50793-1	2-329106-1	330797	331182
	RG-142/U, 142A/U, 142B/U	69331-1					
	CABLE	CRIMP TOOL	④ FERRULE QTY=1	③ CRIMP END ASSEMBLY QTY=1	② GASKET QTY=1	① PLUG ASSEMBLY, BULKHEAD QTY=1	PART NUMBER

THIS DRAWING IS A CONTROLLED DOCUMENT.		DWN 09FEB96 MICHAEL E. COWHER		
DIMENSIONS: mm [INCHES]		CHK 15FEB96 FRANK P. MORANA		
TOLERANCES UNLESS OTHERWISE SPECIFIED:		APVD 15FEB96 FRANK P. MORANA	NAME -	
0 PLC ± -		PRODUCT SPEC	PLUG, RIGHT ANGLE, 50 OHM, BNC	
1 PLC ± -		APPLICATION SPEC	-	
2 PLC ± 0.41 [.016]		WEIGHT 0.000000	SIZE A2	CAGE CODE 00779
3 PLC ± -		FINISH -	DRAWING NO C=331182	RESTRICTED TO -
4 PLC ± -			SCALE 4:1	SHEET 1 OF 1
ANGLES ± -		CUSTOMER DRAWING	REV K1	

单击下面可查看定价，库存，交付和生命周期等信息

[>>TE Connectivity\(泰科\)](#)