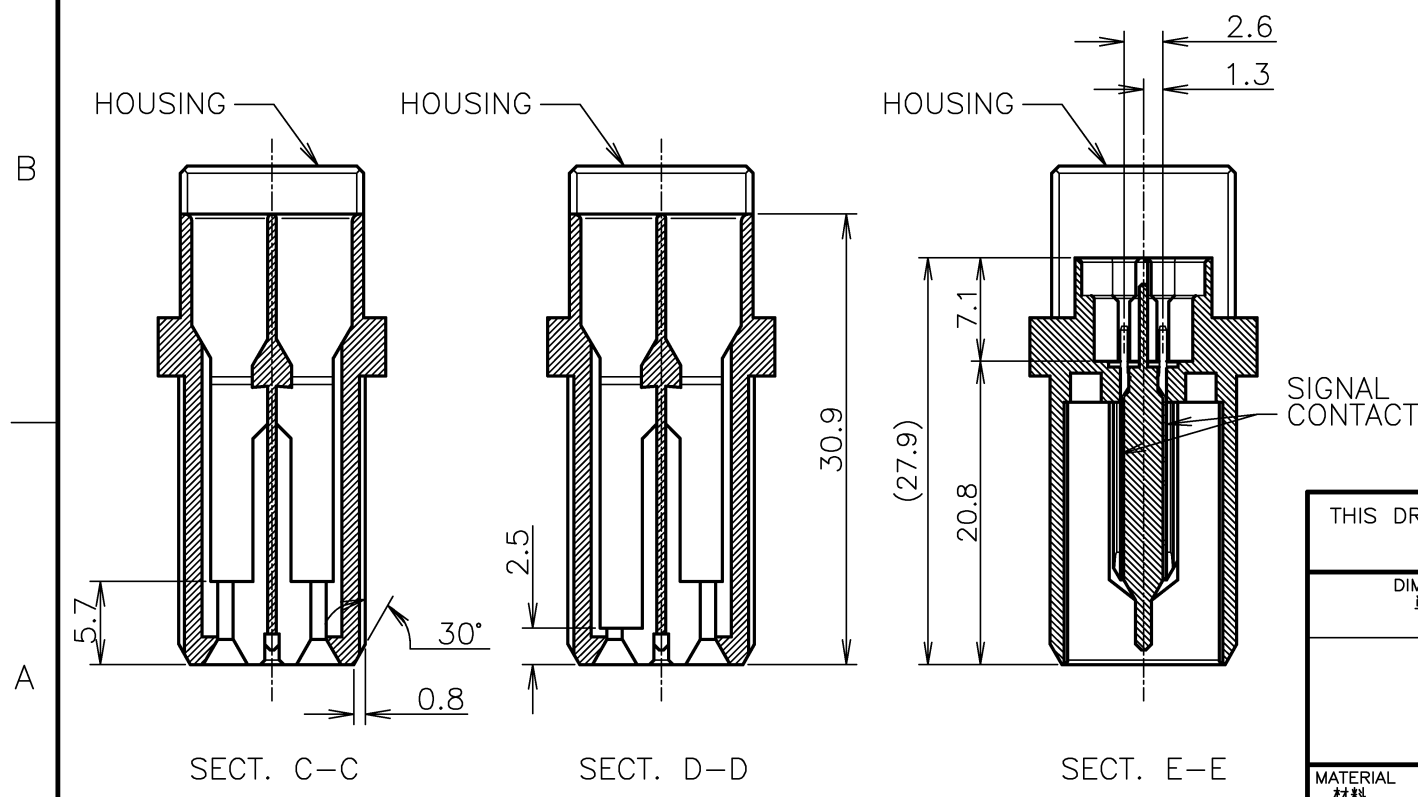
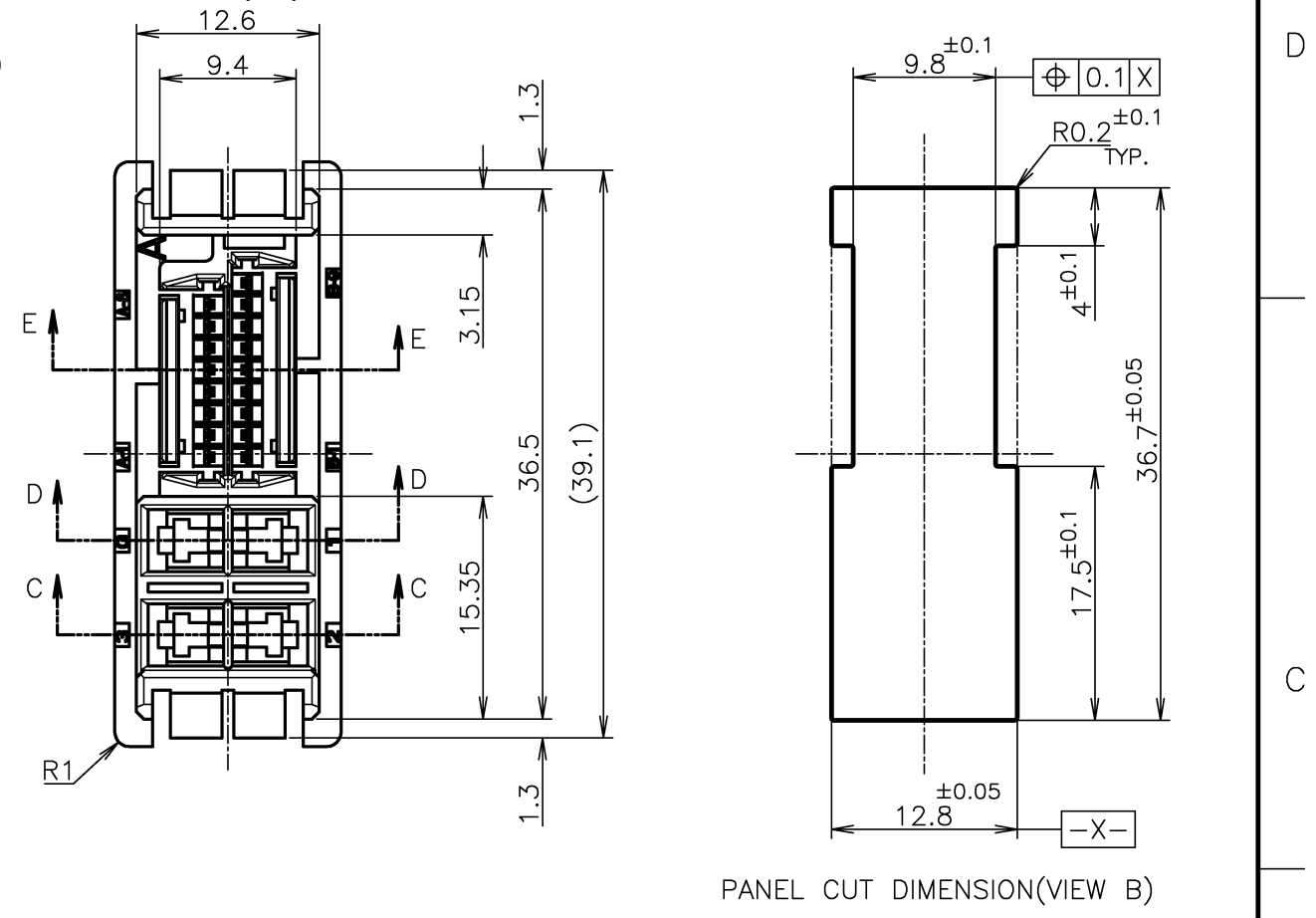
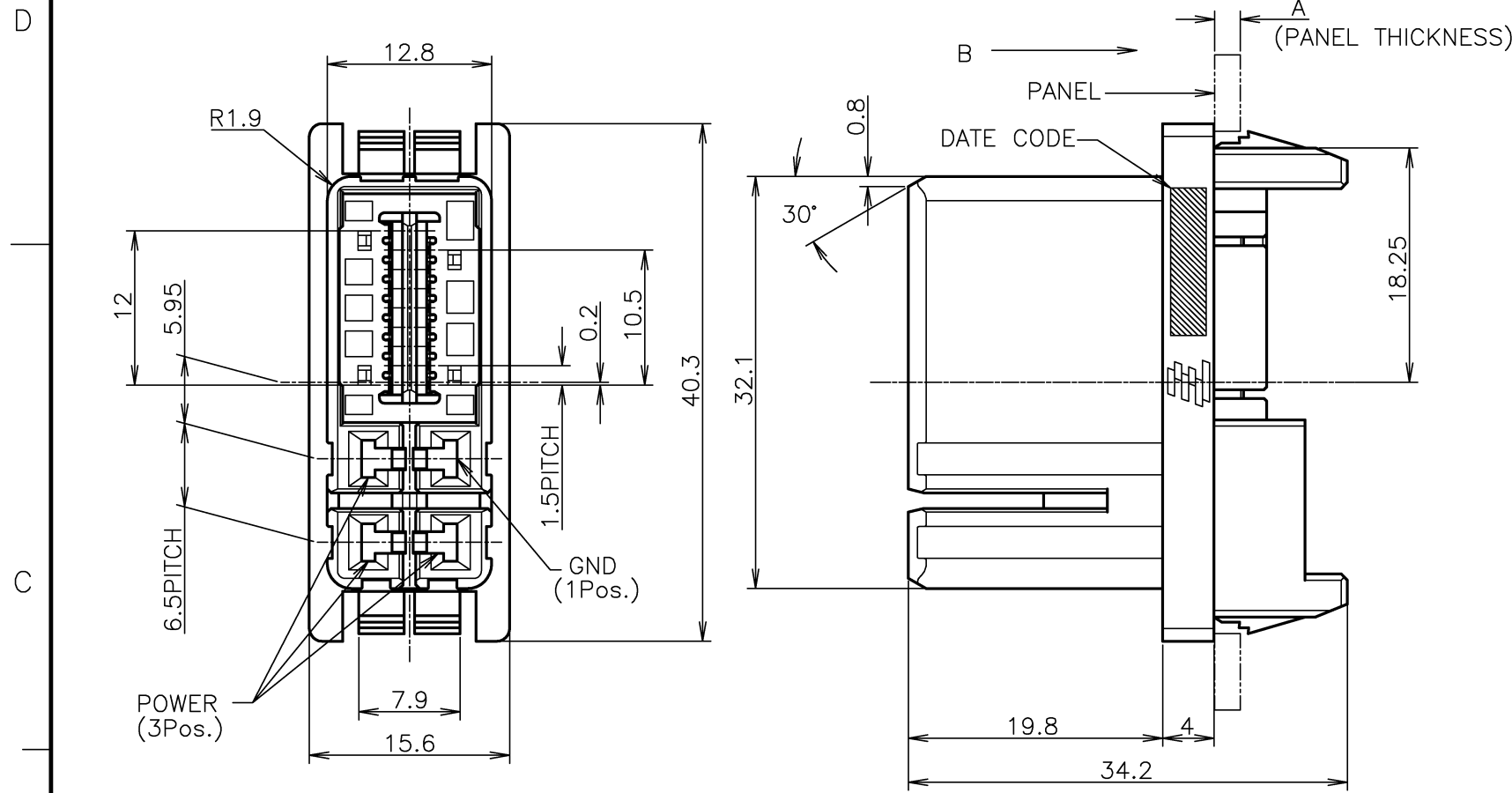


THIS DRAWING IS UNPUBLISHED. RELEASED FOR PUBLICATION
 © COPYRIGHT BY TYCO ELECTRONICS CORPORATION. ALL RIGHTS RESERVED.

LOC	DIST	REVISIONS					
J		P	LTR	DESCRIPTION	DATE	DWN	APVD
		C	REVISED		31OCT2008	M.K	T.Y



- NOTE
- GENERAL TOLERANCE : $\pm 0.3, \pm 3^\circ$
 - MATERIAL
 SIGNAL CONTACT : BRASS
 HOUSING : THERMOPLASTIC, COLOR:BLACK
 - MATING CONNECTOR: 2040340-1
 - RECOMMENDED POWER CONTACT: 1981378-1(Au PLATING)
 1-1981378-1(PRE-TIN)
 - RECOMMENDED GROUND CONTACT: 1981379-1(Au PLATING)
 1-1981379-1(PRE-TIN)

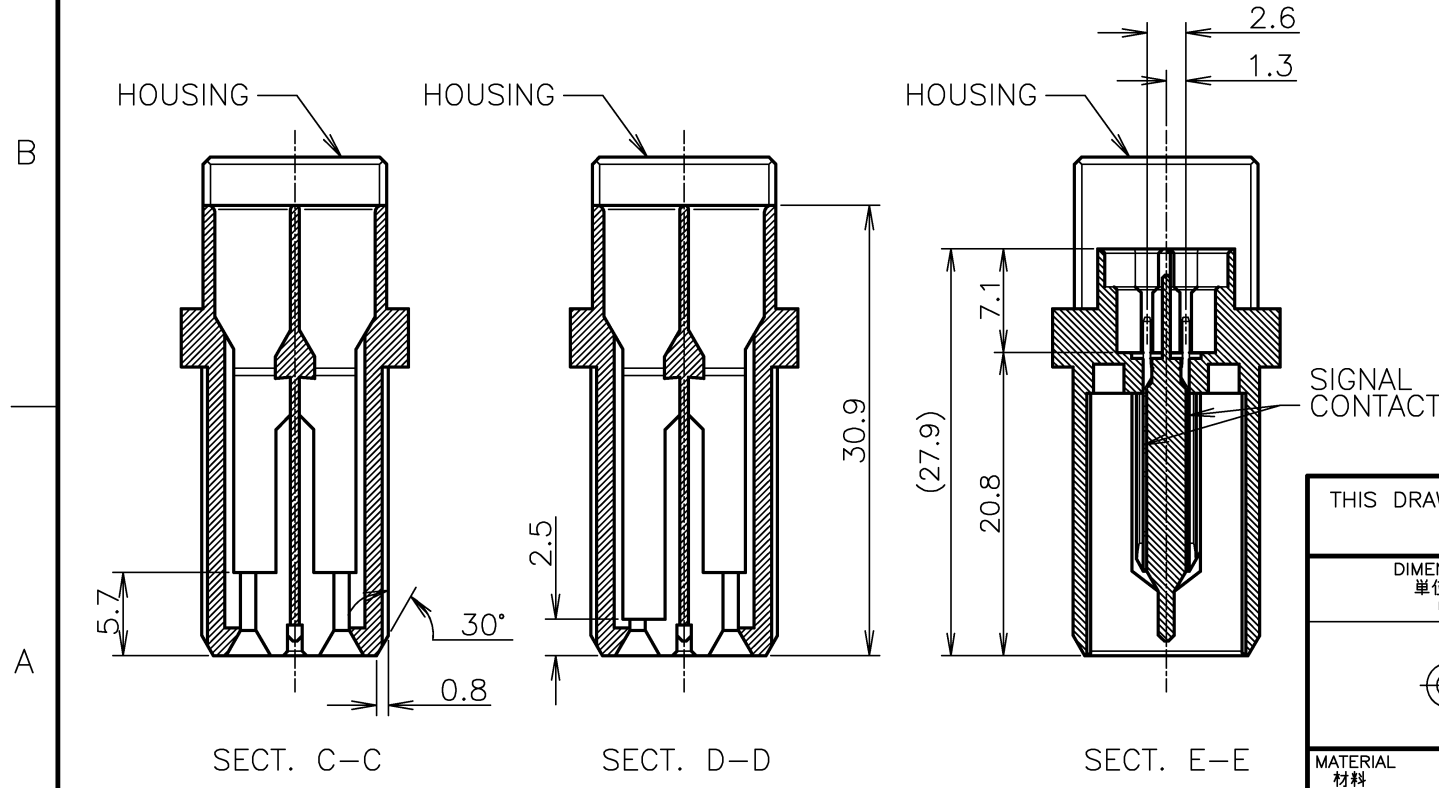
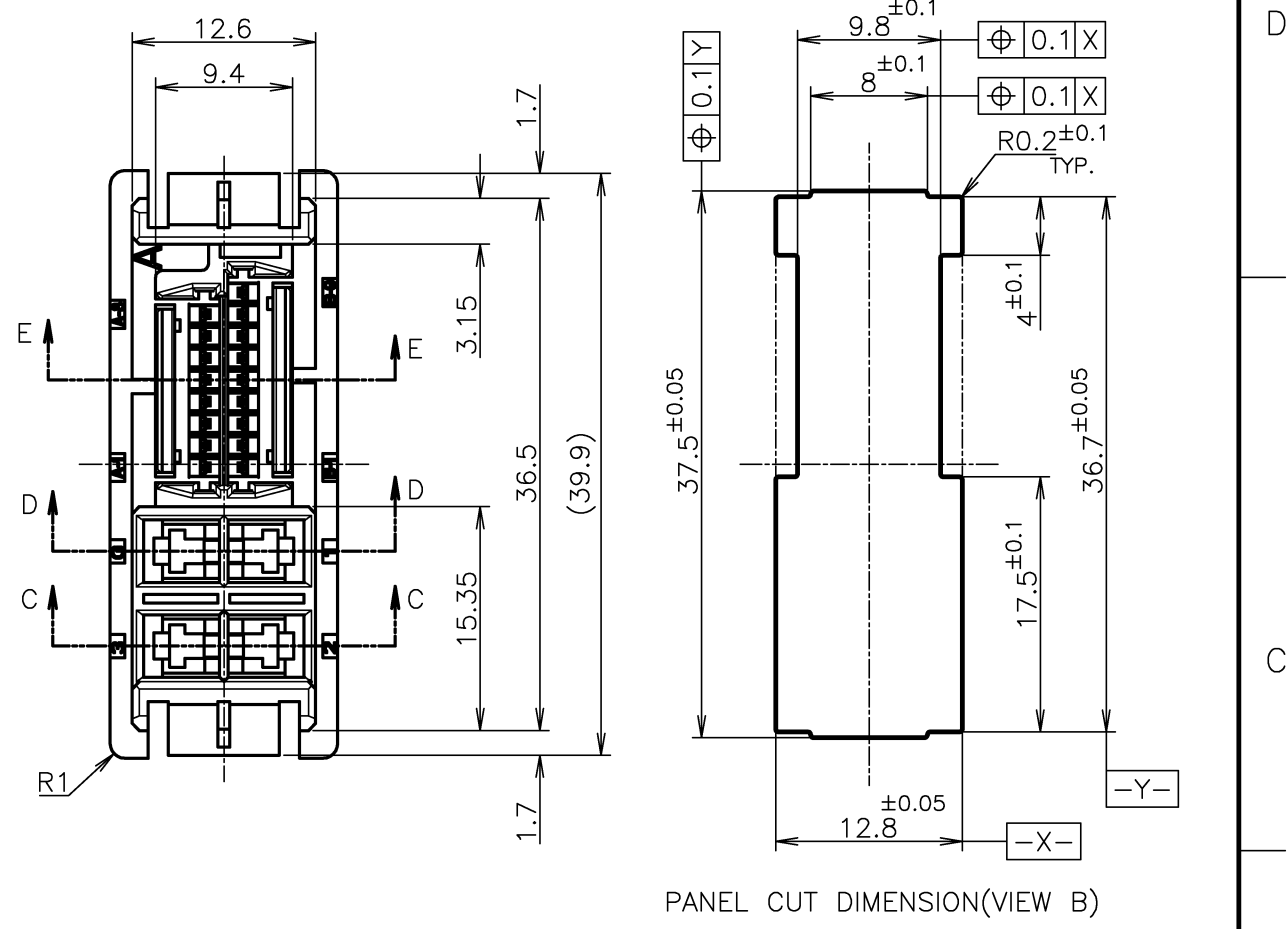
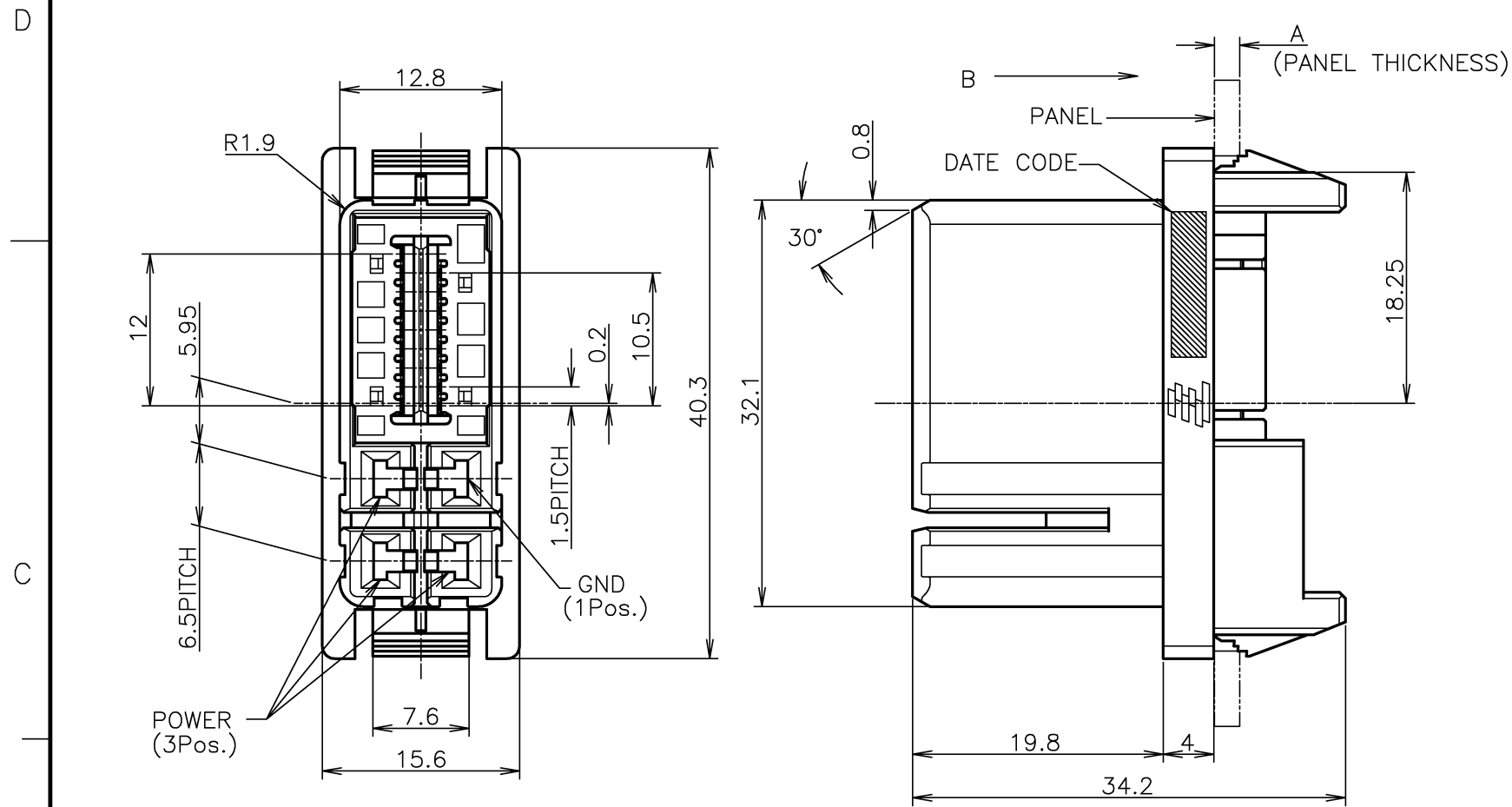
2040339-1:AS SHOWN

2.0±0.1
 DIMENSION "A"
 (PANEL THICKNESS)

THIS DRAWING IS A CONTROLLED DOCUMENT.		DWN M.KATO 22APR2008	Tyco Electronics Corporation Kawasaki, Japan	
DIMENSIONS: 単位: 特 mm		CHK T.YAMADA 22APR2008	NAME 名称 REC. ASSY 1.5mm PITCH MINI CT SNAP-FIT HYBRID DRAWER CONNRCUTOR,SLIM TYPE 4-17Pos.	
TOLERANCES UNLESS OTHERWISE SPECIFIED: 一般公差		APVD T.YAMADA 22APR2008	DRAWING NO 番号 2040339	
0 PLC ± - 1 PLC ± - 2 PLC ± - 3 PLC ± - 4 PLC ± - ANGLES ± -		PRODUCT SPEC 製品規格 108-78540	SIZE A3	RESTRICTED TO
MATERIAL 材料		FINISH 仕上	CAGE CODE 00779	SCALE 尺度 2:1
		WEIGHT	REVISION C	SHEET 1 of 3
		CUSTOMER DRAWING	REV C	

THIS DRAWING IS UNPUBLISHED. RELEASED FOR PUBLICATION
 © COPYRIGHT BY TYCO ELECTRONICS CORPORATION. ALL RIGHTS RESERVED.

LOC	DIST	REVISIONS					
J		P	LTR	DESCRIPTION	DATE	DWN	APVD
				SEE SHEET 1			



- NOTE
- GENERAL TOLERANCE : $\pm 0.3, \pm 3^\circ$
 - MATERIAL
 SIGNAL CONTACT : BRASS
 HOUSING : THERMOPLASTIC, COLOR:BLACK
 - MATING CONNECTOR: 2040340-1
 - RECOMMENDED POWER CONTACT: 1981378-1(Au PLATING)
 1-1981378-1(PRE-TIN)
 - RECOMMENDED GROUND CONTACT: 1981379-1(Au PLATING)
 1-1981379-1(PRE-TIN)

2040339-2:AS SHOWN

2.0 ± 0.05
 DIMENSION "A"
 (PANEL THICKNESS)

THIS DRAWING IS A CONTROLLED DOCUMENT.		DWN	Tyco Electronics Corporation Kawasaki, Japan	
DIMENSIONS: 単位: 精 mm		CHK	NAME 名称	
TOLERANCES UNLESS OTHERWISE SPECIFIED: 一般公差		APVD	REC. ASSY 1.5mm PITCH MINI CT SNAP-FIT HYBRID DRAWER CONNRCUTOR,SLIM TYPE 4-17Pos.	
0 PLC ± - 1 PLC ± - 2 PLC ± - 3 PLC ± - 4 PLC ± - ANGLES ± -		PRODUCT SPEC 製品規格 108-78540	SIZE	CAGE CODE
MATERIAL 材料		APPLICATION SPEC 取付適用規格	A3	00779
FINISH 仕上		WEIGHT	DRAWING NO 番号	
		CUSTOMER DRAWING	G-2040339	
		SCALE 尺度	SHEET	REV
		NTS	2 of 3	C

4

3

2

1

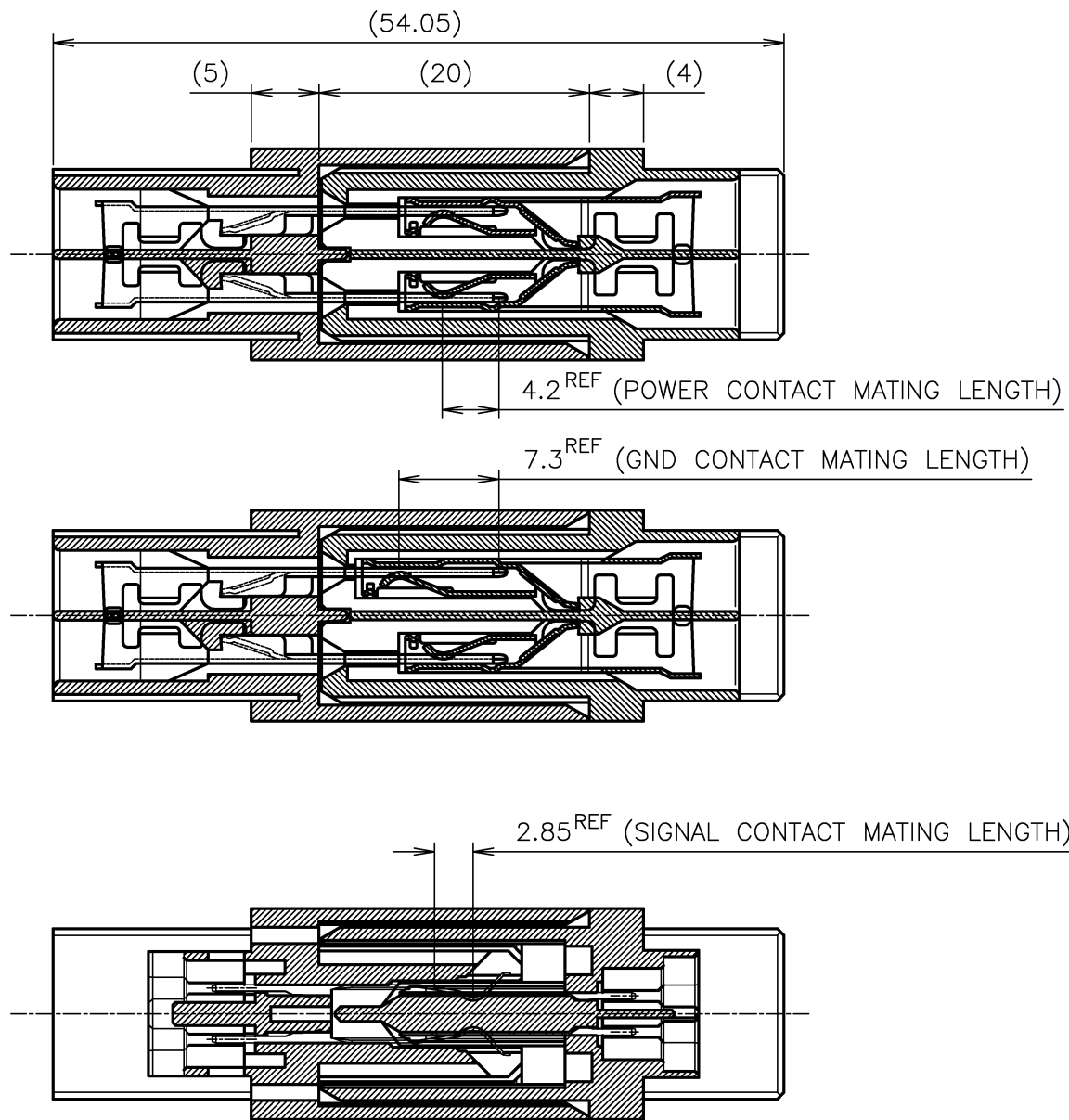
THIS DRAWING IS UNPUBLISHED.

RELEASED FOR PUBLICATION

© COPYRIGHT BY TYCO ELECTRONICS CORPORATION. ALL RIGHTS RESERVED.

LOC	DIST	REVISIONS		
J		P	LTR	DATE
				DWN
				APVD
		DESCRIPTION		
		SEE SHEET 1		

DIMENSIONS ARE REFERENCE ONLY.



THIS DRAWING IS A CONTROLLED DOCUMENT.		DWN	Tyco Electronics Corporation Kawasaki, Japan	
DIMENSIONS: 単位: 精 mm		CHK	NAME 名称	
TOLERANCES UNLESS OTHERWISE SPECIFIED: 一般公差		APVD	REC. ASSY 1.5mm PITCH MINI CT 製品規格	
0 PLC ±-		PRODUCT SPEC	SNAP-FIT HYBRID DRAWER CONNRCTOR,SLIM TYPE 取付適用規格	
1 PLC ±-		APPLICATION SPEC	SIZE	RESTRICTED TO
2 PLC ±-		WEIGHT	A3	
3 PLC ±-		CUSTOMER DRAWING	CAGE CODE	
4 PLC ±-			00779	
ANGLES ±-			DRAWING NO	
FINISH 仕上			C-2040339	
MATERIAL 材料		SCALE	SHEET	REV
		NTS	3 of 3	C

单击下面可查看定价，库存，交付和生命周期等信息

[>>TE Connectivity\(泰科\)](#)