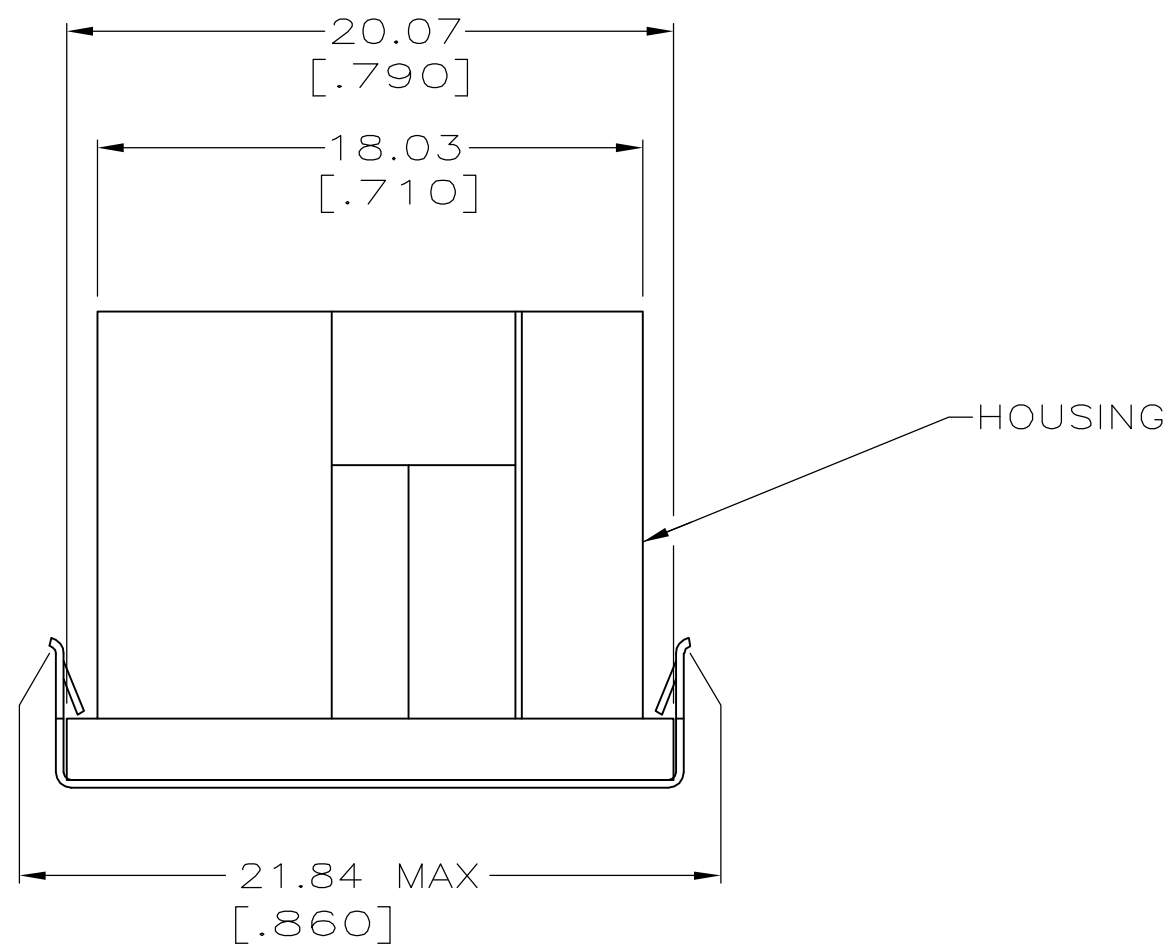
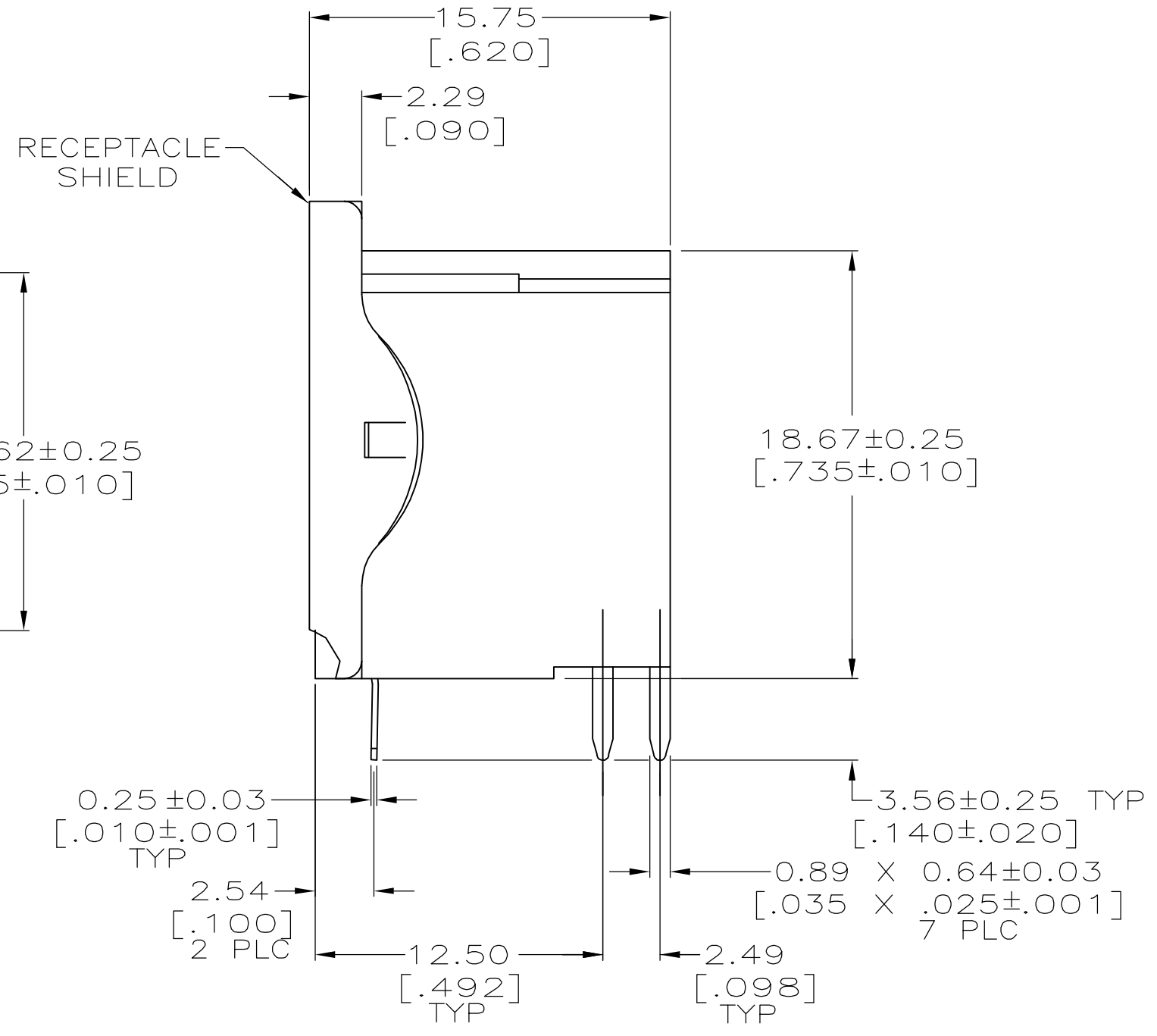
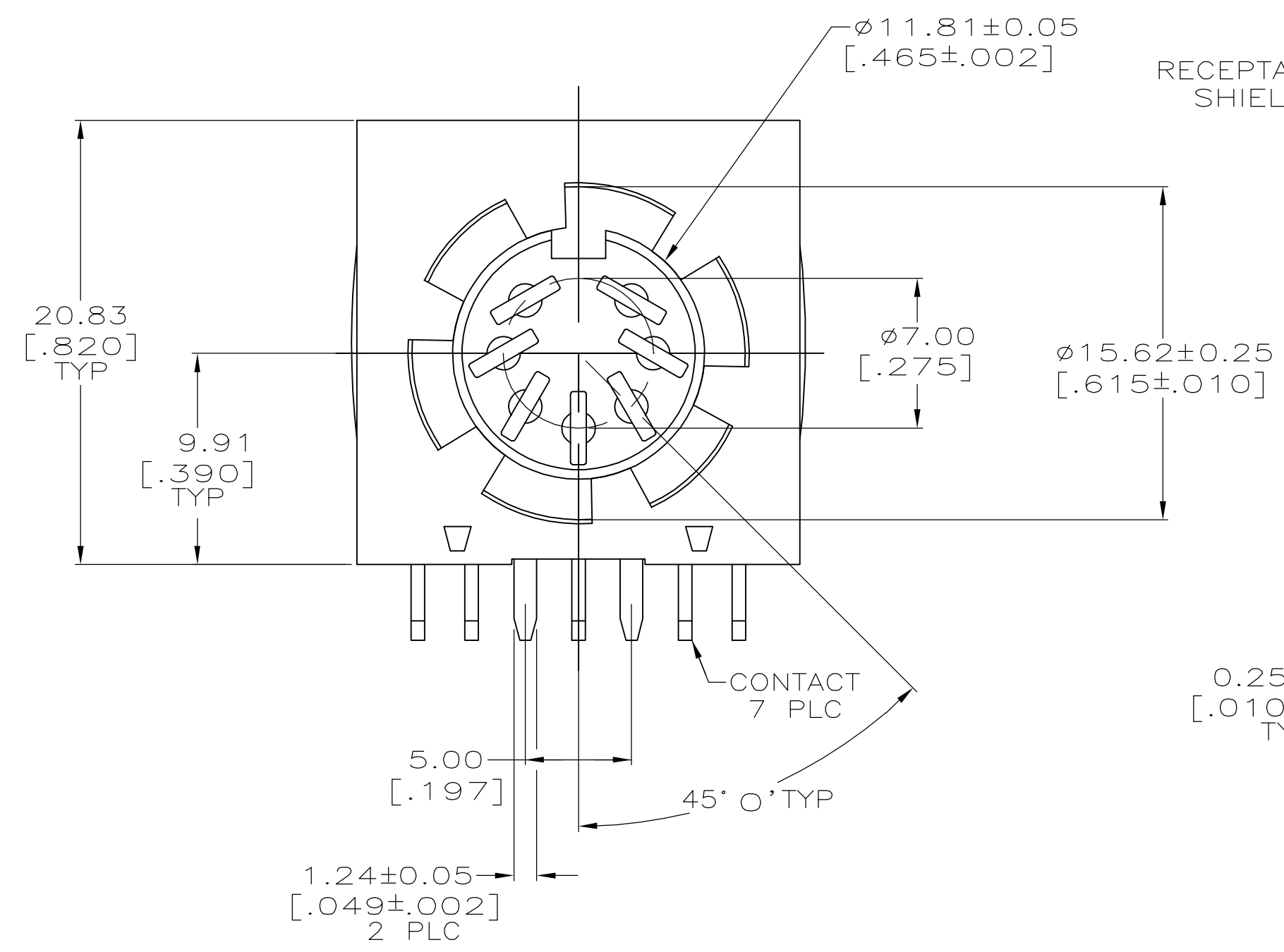


THIS DRAWING IS UNPUBLISHED. RELEASED FOR PUBLICATION  
 © COPYRIGHT BY TYCO ELECTRONICS CORPORATION. ALL RIGHTS RESERVED.

LOC	DIST	REVISIONS			
P	LTR	DESCRIPTION	DATE	DWN	APVD
GP	00				
	01	REVISED PER ECO-07-008008	10APR07	JDP	CWR



- ① HOUSING: NYLON, UL 94V-0 RATED, BLACK.
- ② CONTACTS & RECEPTACLE SHIELD: 2.54μm [.000100] MIN TIN OVER 1.27μm [.000050] MIN NICKEL.
- ③ CONTACTS & RECEPTACLE SHIELD: BRASS.



5212046-1  
 PART NUMBER

THIS DRAWING IS A CONTROLLED DOCUMENT.		DWN L. VARELA - DOCK5 11-12-04	Tyco Electronics Corporation Harrisburg, PA 17105-3608	
DIMENSIONS: mm [INCHES]	TOLERANCES UNLESS OTHERWISE SPECIFIED:	CHK C. ROHDE 11-12-04	NAME RECEPTACLE ASSY, RIGHT ANGLE, SHIELDED, 7 POSITION, CIRCULAR DIN	
	0 PLC ± -	APVD M. WALMSLEY 11-12-04	SIZE A2	CAGE CODE 00779
	1 PLC ± -	PRODUCT SPEC 108-10047	DRAWING NO C=5212046	RESTRICTED TO -
	2 PLC ± 0.13[.005]	APPLICATION SPEC 114-40025	SCALE 4:1	SHEET 1 of 1
	3 PLC ± -	WEIGHT -	REV 01	
	4 PLC ± -	CUSTOMER DRAWING		
	ANGLES ± 0° 30'			
MATERIAL ① ③	FINISH ②			

单击下面可查看定价，库存，交付和生命周期等信息

[>>TE Connectivity\(泰科\)](#)