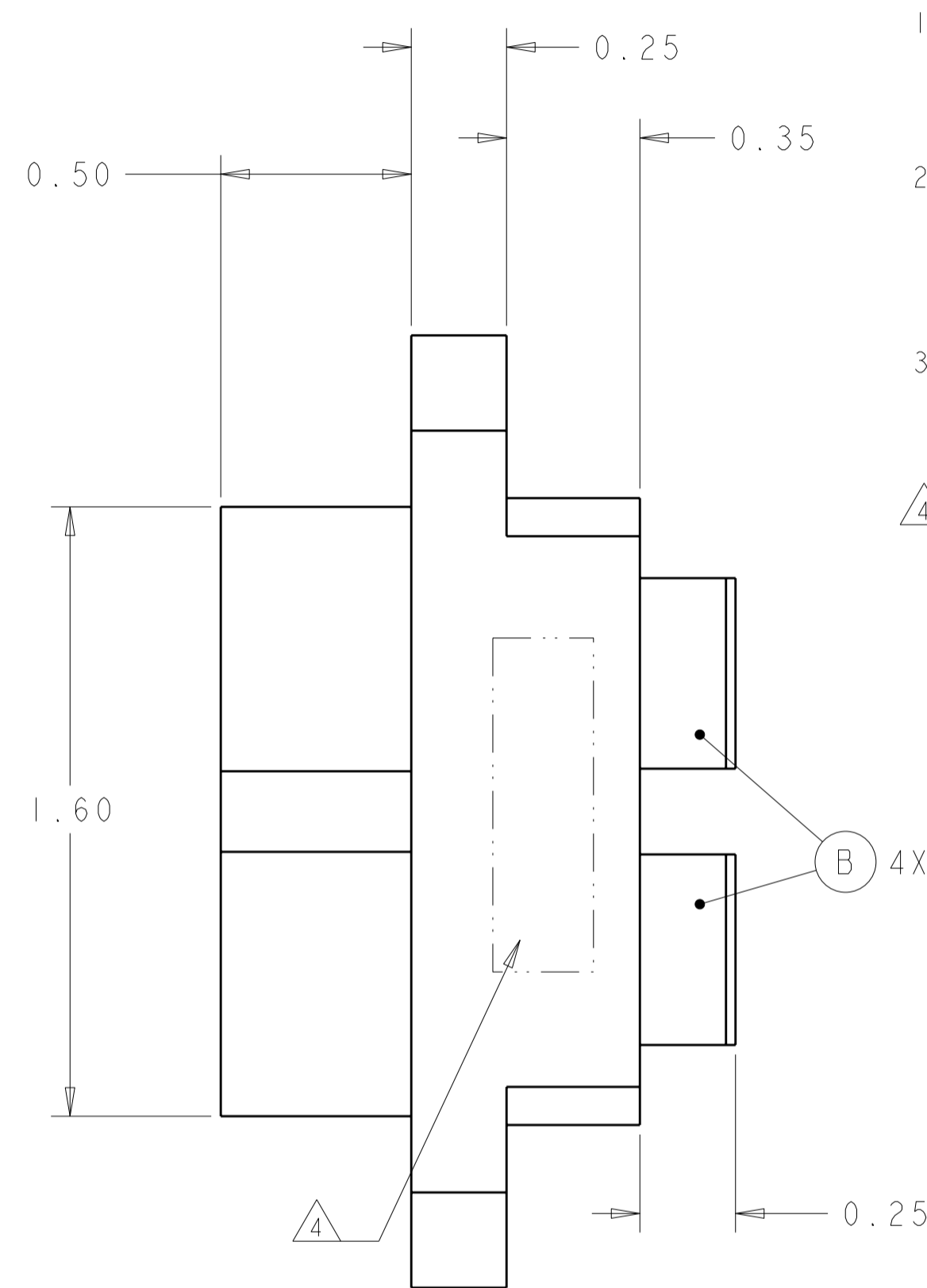
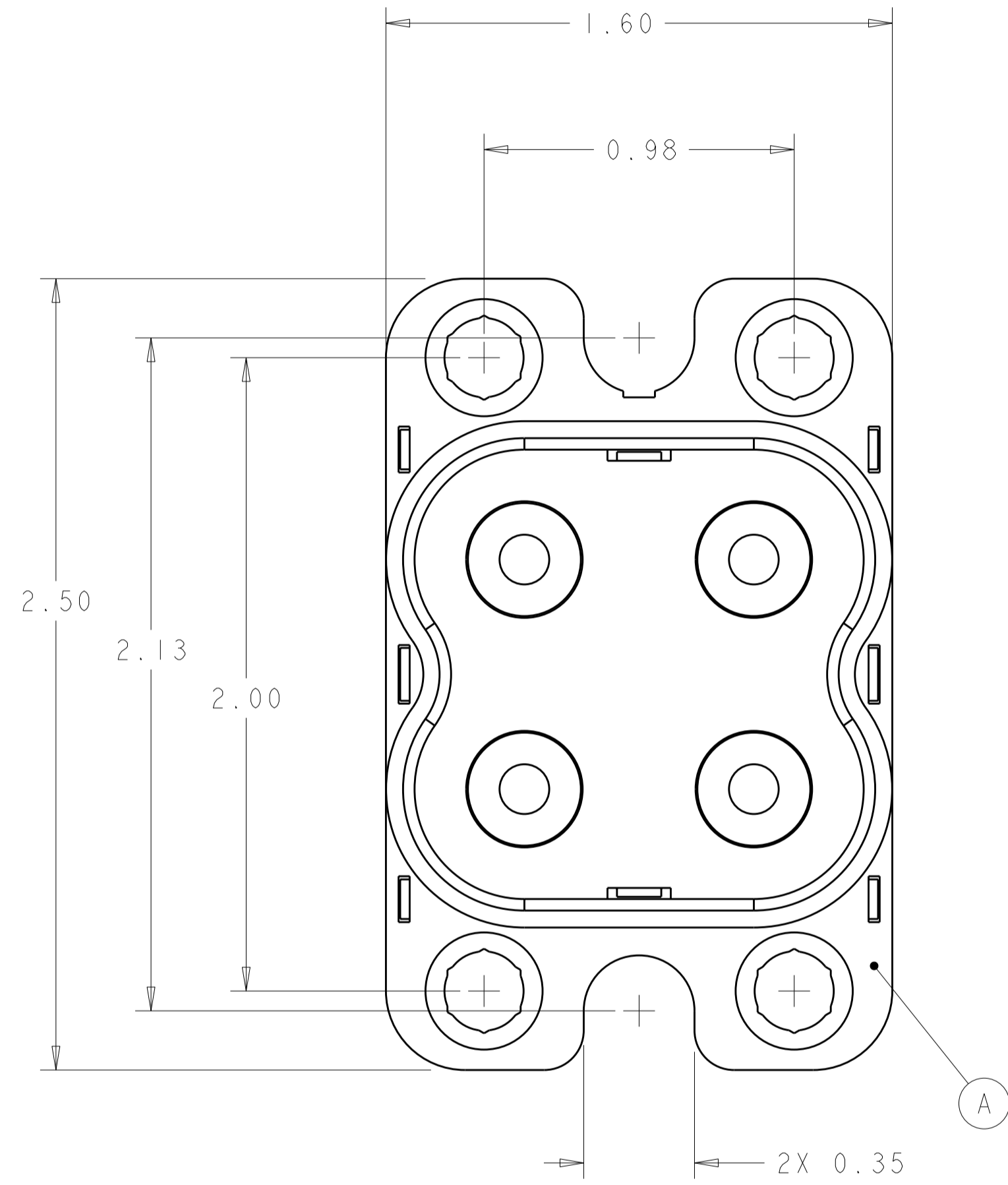


THIS DRAWING IS UNPUBLISHED. RELEASED FOR PUBLICATION 20
 © COPYRIGHT 20 BY TYCO ELECTRONICS CORPORATION. ALL RIGHTS RESERVED.

REVISIONS					
P	LTR	DESCRIPTION	DATE	DWN	APVD
A		RELEASED	06FEB2009	RG	DO



- PART NUMBER CHANGES AND OR DESIGN CHANGES AFFECTING THE INTERCHANGEABILITY REQUIRE PRIOR TYCO ELECTRONICS APPROVAL AND AUTHORIZATION BY REVISION TO THIS DRAWING.
 - MATERIAL:
 INSULATORS: THERMOPLASTIC, GLASS REINFORCED, FLAMMABILITY RATED, COLOR: BLACK
 RETENTION CLIPS: BERYLLIUM COPPER
 CONTACTS: COPPER ALLOY
 - FINISHES:
 CONTACTS: SILVER PLATE: .000200 MIN THK OVER
 ELECTROLESS NICKEL PLATE: .000050 MIN THK
- △ ITEMS PROVIDED TO THIS SPECIFICATION TO BE PERMANENTLY IDENTIFIED PER THE FOLLOWING IDENTIFIER.
- TYCO ELECTRONICS PN: XXXXXXXX-X DATE CODE (e.g. 0820): XXXX
- YEAR: [] WEEK: []

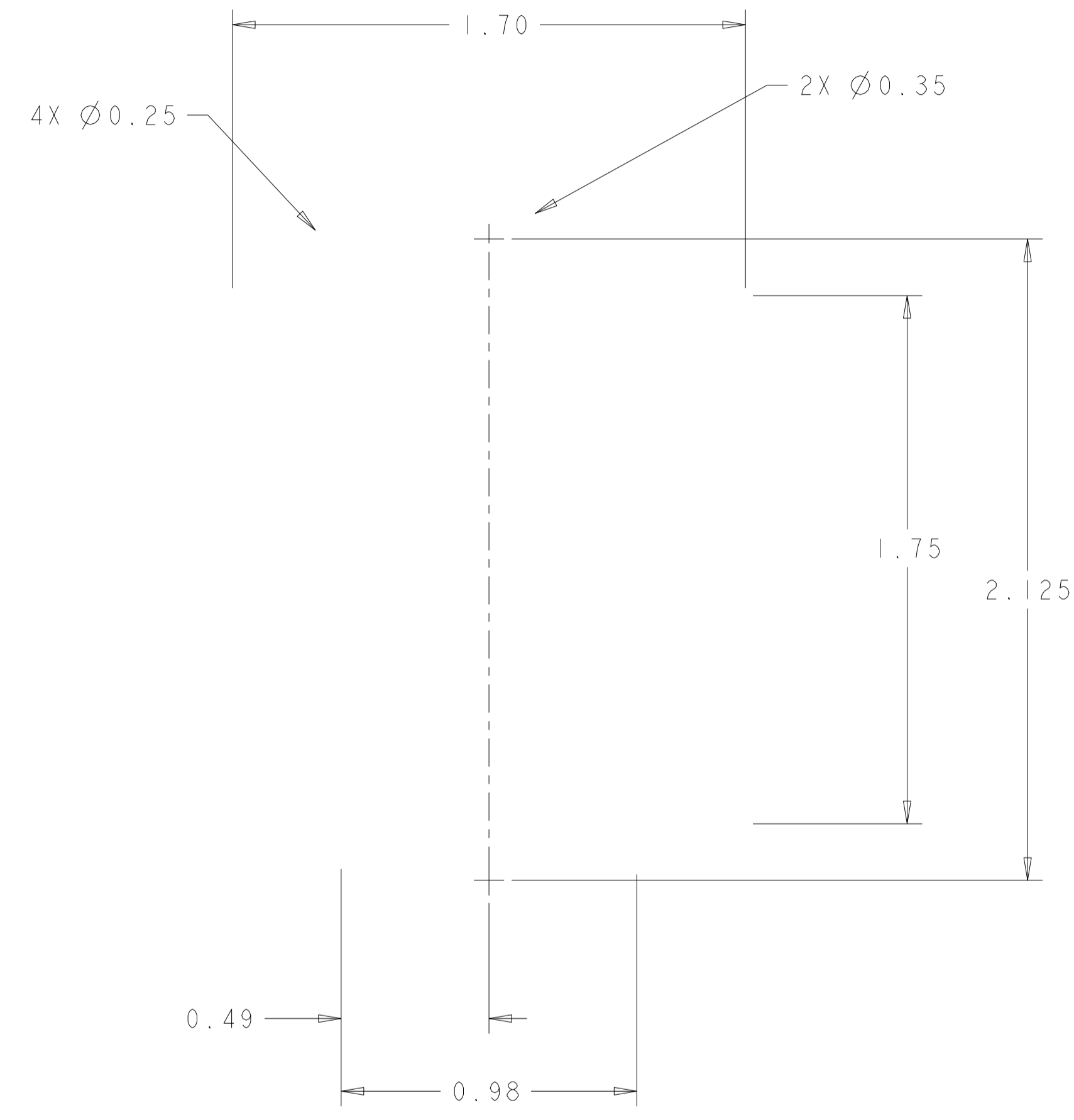
4	1766230-1	CONTACT, PIN, 1/4-20 INTERNAL THD	B
1	1648548-1	HOUSING, PIN	A
-1	PART NO.	DESCRIPTION	ITEM

THIS DRAWING IS A CONTROLLED DOCUMENT FOR TYCO ELECTRONICS CORPORATION. IT IS SUBJECT TO CHANGE AND THE CONTROLLING ENGINEERING ORGANIZATION SHOULD BE CONTACTED FOR THE LATEST REVISION.		DWN: C. ROHLER 30 JAN 2009 CHK: D. ORRIS 30 JAN 2009 APVD: M. PERCHERKE 30 JAN 2009	Tyco Electronics Harrisburg, PA 17105-3608
DIMENSIONS: INCHES 	TOLERANCES UNLESS OTHERWISE SPECIFIED: 0 PLC ± 1 PLC ± 2 PLC ±.02 3 PLC ±.010 4 PLC ± ANGLES ±.5 FINISH	PRODUCT SPEC: - APPLICATION SPEC: - WEIGHT: -	NAME: QUAD POWER CONNECTOR, PIN 1/4-20 INTERNAL THD QUAD DRAWER SIZE: A2 CAGE CODE: 00779 DRAWING NO: 2085134 RESTRICTED TO: -
MATERIAL: -		CUSTOMER DRAWING SCALE: 5:2 SHEET 1 OF 2 REV A	

ELCON QUAD DRAWER

THIS DRAWING IS UNPUBLISHED. RELEASED FOR PUBLICATION 20
 © COPYRIGHT 20 BY TYCO ELECTRONICS CORPORATION. ALL RIGHTS RESERVED.

LOC	DIST	REVISIONS			
P	LTR	DESCRIPTION	DATE	DWN	APVD
-	-	SEE SHEET 1	-	-	-



SUGGESTED PANEL CUTOUT

ELCON **QUAD DRAWER**

<small>THIS DRAWING IS A CONTROLLED DOCUMENT FOR TYCO ELECTRONICS CORPORATION IT IS SUBJECT TO CHANGE AND THE CONTROLLING ENGINEERING ORGANIZATION SHOULD BE CONTACTED FOR THE LATEST REVISION.</small>		DWN <u>C. ROHLER</u> 30 JAN 2009 CHK <u>D. ORRIS</u> 30 JAN 2009 APVD <u>M. PERCHERKE</u> 30 JAN 2009	Tyco Electronics Harrisburg, PA 17105-3608
DIMENSIONS: INCHES 	TOLERANCES UNLESS OTHERWISE SPECIFIED: 0 PLC ± 1 PLC ± 2 PLC ±.02 3 PLC ±.010 4 PLC ± ANGLES ±.5 FINISH	PRODUCT SPEC APPLICATION SPEC WEIGHT - CUSTOMER DRAWING	NAME QUAD POWER CONNECTOR, PIN 1/4-20 INTERNAL THD QUAD DRAWER
MATERIAL		SCALE 5:2	RESTRICTED TO
		SIZE A200779	DRAWING NO. C-2085134
		SHEET 2 OF 2	REV A

单击下面可查看定价，库存，交付和生命周期等信息

[>>TE Connectivity\(泰科\)](#)