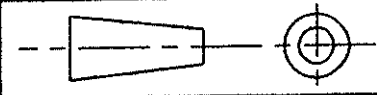
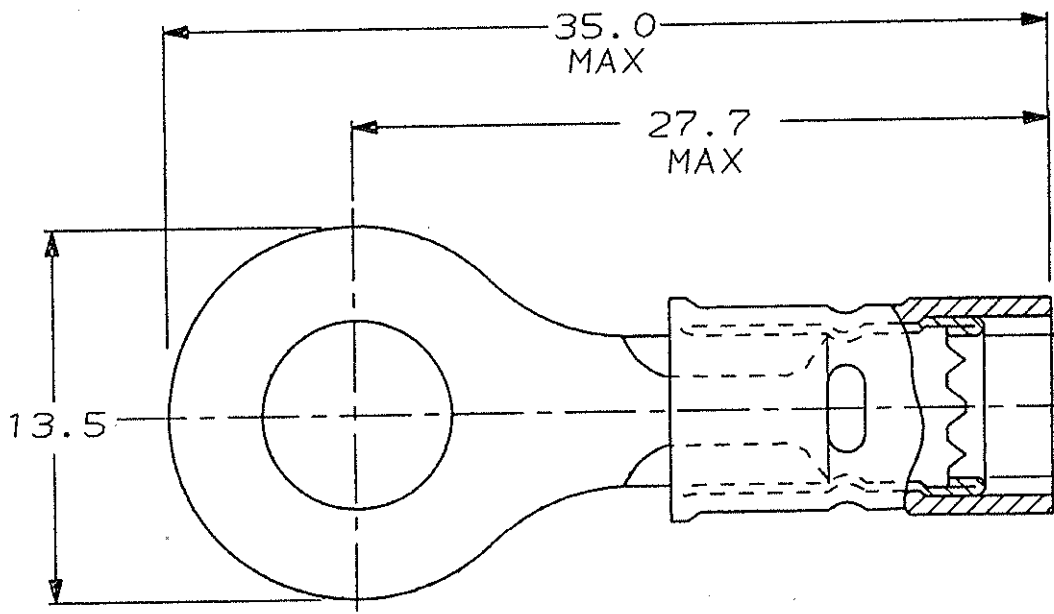


DO NOT SCALE


DIMENSIONS IN MM.



C.A.D. FILE CODE
5. C342063.2



1 WIRE INSUL. DIA 3.81-6.35
2 TONGUE MAT'L THK 1.07 MAX

CUSTOMER DWG FOR REFERENCE ONLY			THIS INFORMATION IS CONFIDENTIAL AND IS DISCLOSED TO YOU ON CONDITION THAT NO FURTHER DISCLOSURE IS MADE BY YOU TO OTHER THAN AMP PERSONNEL WITHOUT WRITTEN AUTHORIZATION FROM AMP OF GREAT BRITAIN LTD.						
			TOLERANCES UNLESS OTHERWISE STATED :			DR. C. NIKER 17/01/95			
			DEC ± 0.5 ANGLES ± 1°			CH. B. WILSON		APP. B. WILSON	
			NAME			 TERMINAL HOUSE STANMORE MIDDX.			
			16-14 HD PIDG R/T 1/4" STUD NYLON INSULATION BLACK EXP.						
A	DR/Tm	CG3A-0002	3/04	SCALE	LOC	SIZE	DWG. No.	REV	SHEET
2	B. WILSON	EB00-0014-95	17/01/95	NTS	F	A 4	C342063	A	1/1
REV	APPROVED	CHANGE No.	D.						

单击下面可查看定价，库存，交付和生命周期等信息

[>>TE Connectivity\(泰科\)](#)